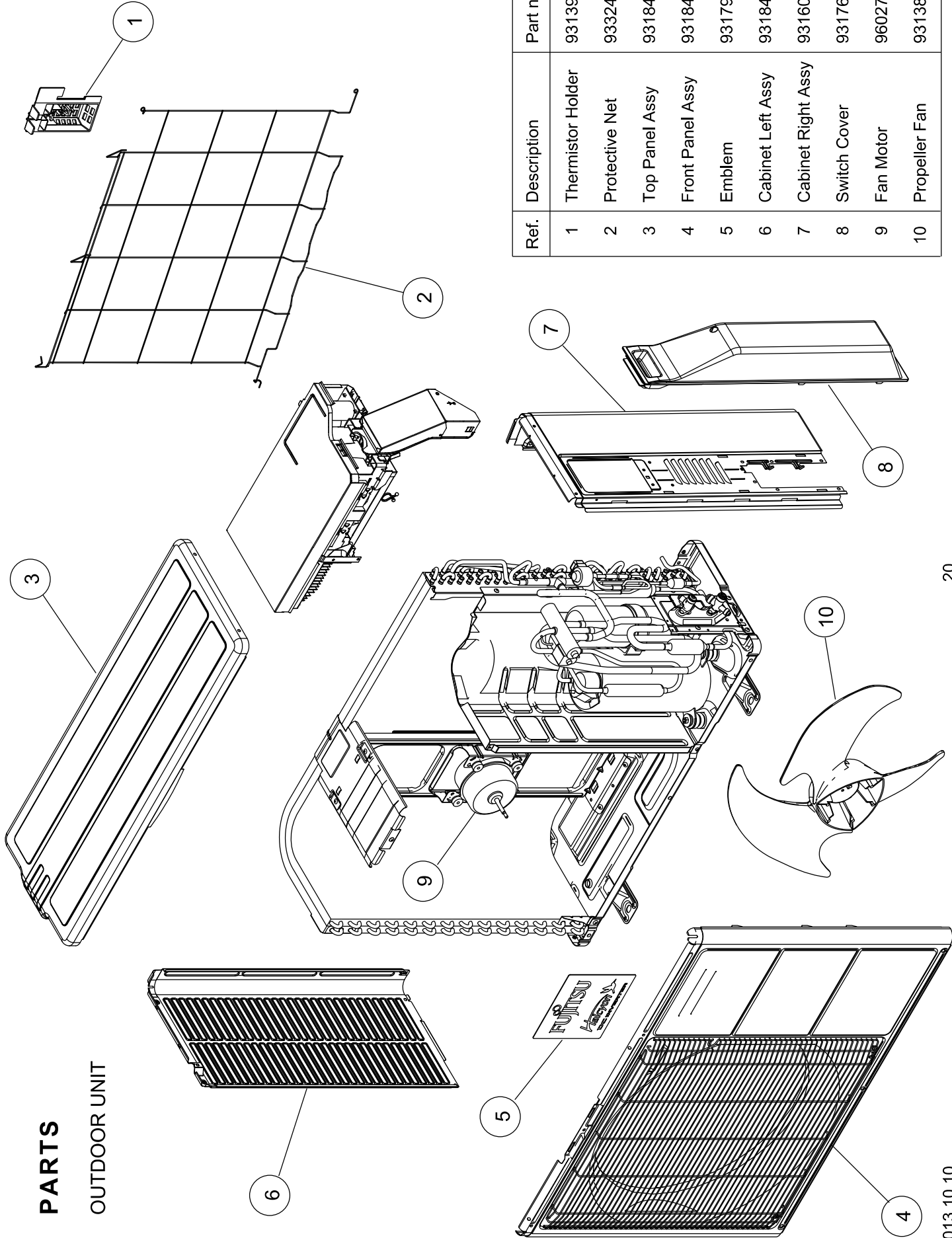


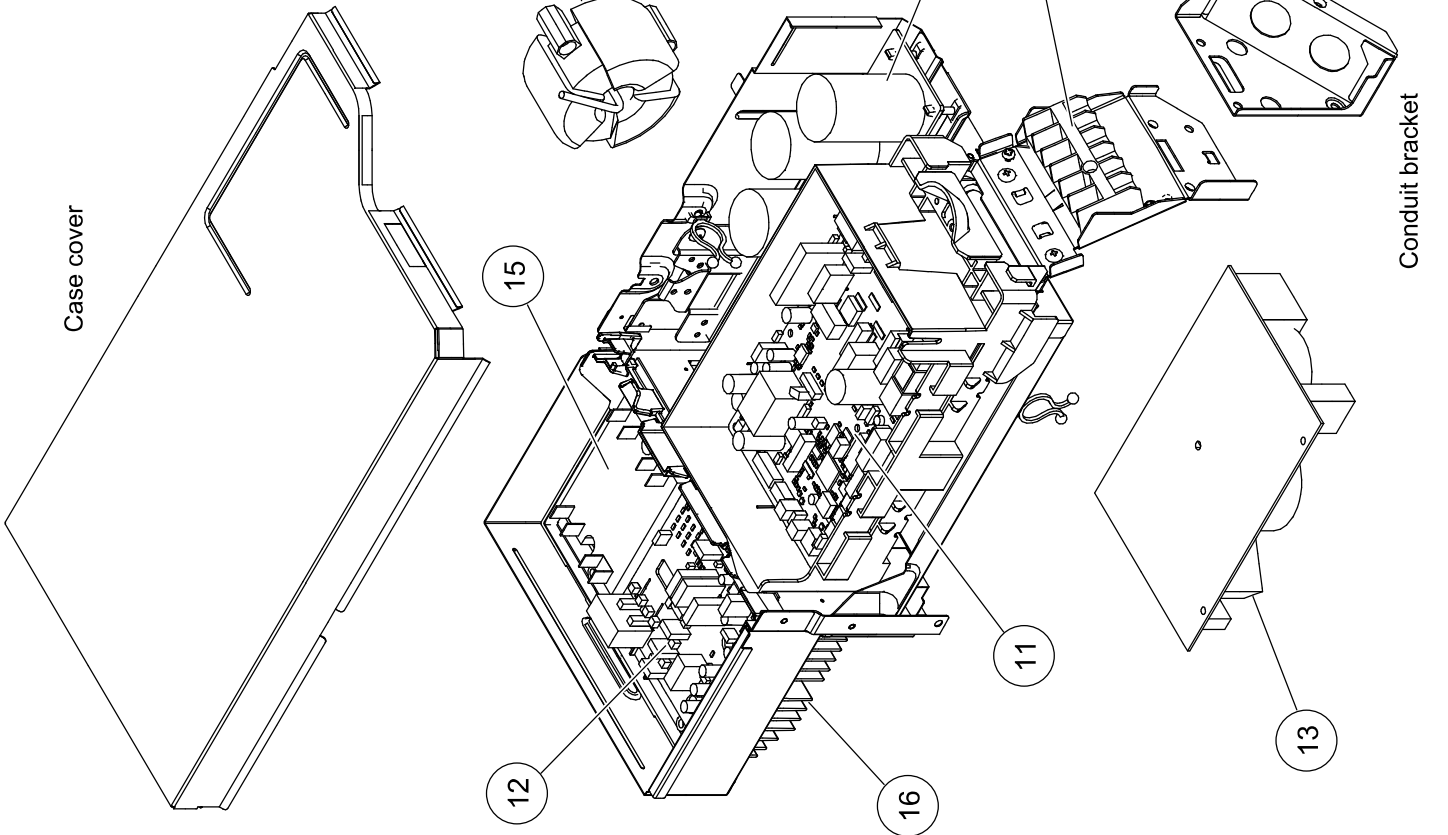
# PARTS

## OUTDOOR UNIT



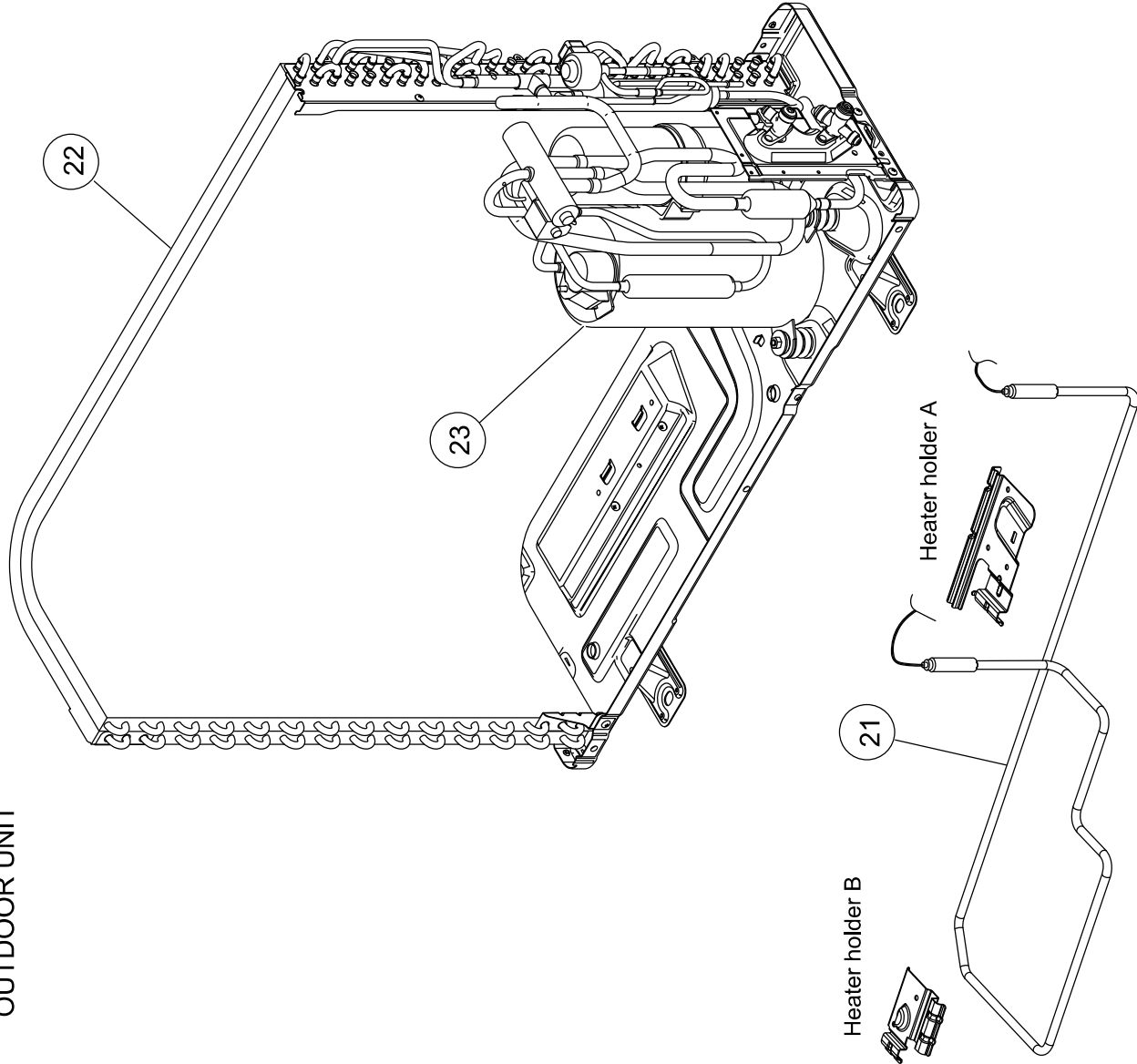
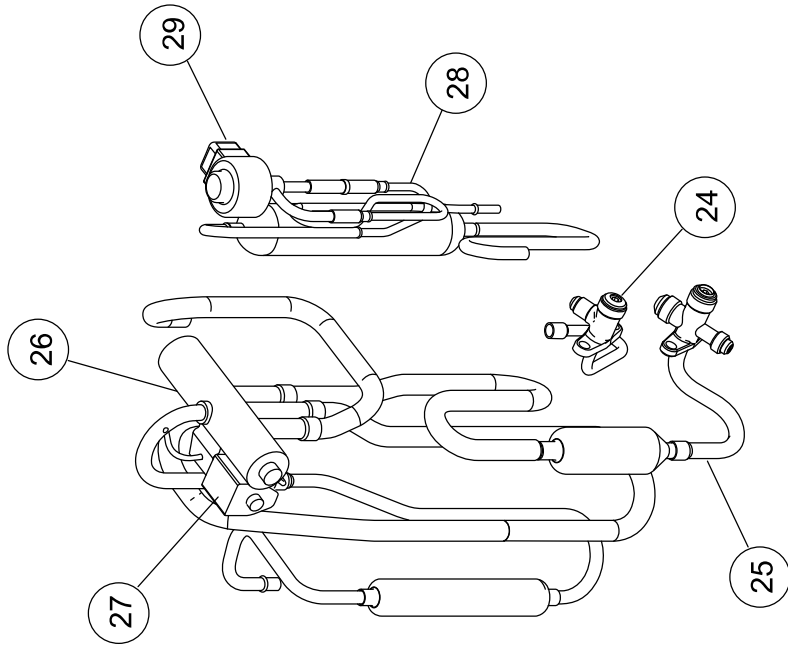
Ref.	Description	Part number
1	Thermistor Holder	9313954031
2	Protective Net	9332492002
3	Top Panel Assy	9318464023
4	Front Panel Assy	9318463033
5	Emblem	9317903011
6	Cabinet Left Assy	9318461015
7	Cabinet Right Assy	9316044050
8	Switch Cover	9317692021
9	Fan Motor	9602724000
10	Propeller Fan	9313808013

# OUTDOOR UNIT



Ref.	Description	Part number
11	Main PCB	9708511313
12	Transistor PCB (Service unit)	9709680148
13	Filter PCB	9708764030
14	Capacitor PCB	9708514017
15	ACTPM	9707592016
16	Heatsink	9318614015
17	Choke Coil	9900223014
18	Terminal 6P	9900016081
--	Outdoor Thermistor	9900544041
--	Thermistor Assy	9900648008

OUTDOOR UNIT



Ref.	Description	Part number
21	Heater Unit Assy	9900616014
22	Condenser Total Assy	9317089104
23	Compressor Assy	9318334005
24	2-way Valve Assy	9317171014
25	3-way Valve Sub Assy	9317109062
26	4-way Valve Assy	9318457018
27	Solenoid	9970110023
28	Pulse Motor Valve Assy	9315587022
29	Expansion Valve Coil	9970095030