

EGH Section and Base Assembly Series 1-5

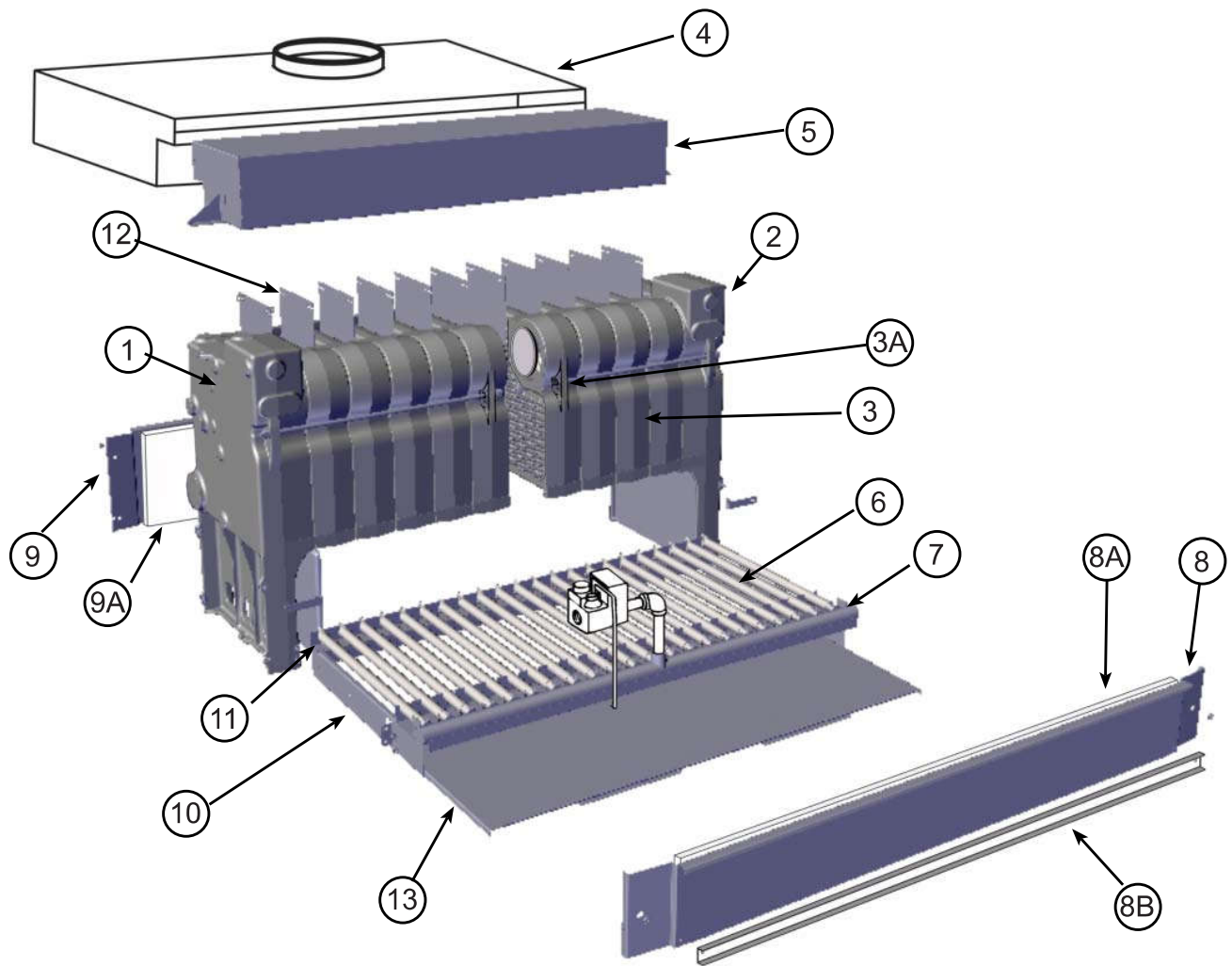


Fig. No.	Part No.	Description	Boiler Series
1	311-800-014	Left Hand End Section With Heater Opening 1814	1-5
N/S	311-800-007	Left Hand End Section Without Heater Opening 1813	1-5
2	311-800-022	Right Hand End Section With Heater Opening 1819	1-5
N/S	311-800-032	Right Hand End Section Without Heater Opening 18118	1-5
3	311-800-010	Intermediate Section 1815	1-5
3A	311-800-026	Intermediate Section With Tie Rod Lugs 1817	1-5
N/S	321-711-100	Section Assembly, Complete: EGH-85 With Heater Opening	1-5
	321-711-105	Section Assembly, Complete: EGH-85 Without Heater Opening	1-5
	321-711-110	Section Assembly, Complete: EGH-95 With Heater Opening	1-5
	321-711-115	Section Assembly, Complete: EGH-95 Without Heater Opening	1-5
	321-711-120	Section Assembly, Complete: EGH-105 With Heater Opening	1-5
	321-711-125	Section Assembly, Complete: EGH-105 Without Heater Opening	1-5

EGH Section and Base Assembly Series 1-5

N/S	321-711-130	Section Assembly, Complete: EGH-115 With Heater Opening			1-5
	321-711-135	Section Assembly, Complete: EGH-115 Without Heater Opening			1-5
	321-711-140	Section Assembly, Complete: EGH-125 With Heater Opening			1-5
	321-711-145	Section Assembly, Complete: EGH-125 Without Heater Opening			1-5
	381-800-667	Section Replacement Kit (Includes: (1) 3" and 6" Elastomer Seal, 2 Pieces-¼" Rope Seal, 1-2.8 oz Tube Silicone) Order 1 Per Joint Between Sections			1-5
	592-800-010	3" Dia. Bottom Elastomer Seal (1 Per Joint)			1-5
	592-800-007	6" Dia. Top Elastomer Seal (1 Per Joint)			1-5
	560-234-465	½" x 7" Tie Rod Without Nut (2 Per Boiler			1-5
	560-234-472	½" x 17" Tie Rod Without Nut ((4) For EGH-85, (2) For EGH-95)			1-5
	560-234-477	½" x 21¼" Tie Rod Without Nut ((2) For EGH-95, EGH-115; (4) For EGH-105)			1-5
	560-234-482	½" x 25¼" Tie Rod Without Nut ((2) For EGH-115, (4) For EGH-125)			1-5
	561-928-221	½" Nut (2 Per Tie Rod)			1-5
	562-248-668	½" Lock Washer (1 Per Tie Rod)			1-5
	591-602-913	Retort Cement (1 Quart)			1-5
	591-706-214	Flue Brush, 124 DMG			1-5
4	450-206-240	Draft Hood: EGH-85 -- 30.81" Left To Right 9" Flue Opening			1-5
	450-206-241	Draft Hood: EGH-95 -- 35.06" 10"			1-5
	450-206-242	Draft Hood: EGH-105 -- 39.31" 10"			1-5
	450-206-243	Draft Hood: EGH-115 -- 43.56" 12"			1-5
	450-206-244	Draft Hood: EGH-125 -- 47.81" ▼ 12" ▼			1-5
5	450-014-750	Collector Hood: EGH-85 -- 30¾" Left To Right			1-5
	450-014-751	Collector Hood: EGH-95 -- 35"			1-5
	450-014-752	Collector Hood: EGH-105 -- 39¾"			1-5
	450-014-753	Collector Hood: EGH-115 -- 43½"			1-5
	450-014-754	Collector Hood: EGH-125 -- 47¾" ▼			1-5
6	512-200-000	Burner, Stainless Tube, Regular (See Note 2) -- 1" Diameter X 21¾" Long			1-5
N/S	512-200-001	Burner, Stainless Tube With Pilot Bracket (See Note 2) -- 1" Diameter X 21¾" Long			1-5
7	591-125-543	Manifold: EGH-85			1-5
	591-125-544	Manifold: EGH-95			1-5
	591-125-545	Manifold: EGH-105			1-5
	591-125-546	Manifold: EGH-115			1-5
	591-125-547	Manifold: EGH-125			1-5
8		Front Base Panel: (In Base Panel Carton) Must Know Boiler Series			
8A		Front Base Insulation (In Base Panel carton)			
8B		Base Front Access Panel: (In Base Panel Carton)			
9		Back Base Panel: (In Base Panel Carton)			
9A		Back Base Insulation (In Base Panel Carton)			
N/S		Back Base Channel: (In Base Panel Carton) ▼ ▼			
10	451-800-070	Side Rail For Burner Pan With Bracket For Burner Pan (2 Required)			1-5

EGH Section and Base Assembly Series 1-5

11	451-800-095	Back Burner Support: EGH-85	29 ³ / ₈ " In Length	1-5
	451-800-096	Back Burner Support: EGH-95	33 ⁵ / ₈ "	1-5
	451-800-097	Back Burner Support: EGH-105	37 ⁷ / ₈ "	1-5
	451-800-098	Back Burner Support: EGH-115	42 ¹ / ₈ "	1-5
	451-800-099	Back Burner Support: EGH-125	46 ³ / ₈ " ▼	1-5
N/S	381-700-240	Base Panel Carton – EGH-85 (Includes: Front Base Insulation, Front Base Panel, Base Front Access Panel, Back Base Insulation, Back Base Panel and Back Base Channel)		1-4
	381-700-245	Base Panel Carton – EGH-95 (Includes: Front Base Insulation, Front Base Panel, Base Front Access Panel, Back Base Insulation, Back Base Panel and Back Base Channel)		1-4
	381-700-250	Base Panel Carton – EGH-105 (Includes: Front Base Insulation, Front Base Panel, Base Front Access Panel, Back Base Insulation, Back Base Panel and Back Base Channel)		1-4
	381-700-255	Base Panel Carton – EGH-115 (Includes: Front Base Insulation, Front Base Panel, Base Front Access Panel, Back Base Insulation, Back Base Panel and Back Base Channel)		1-4
	381-700-260	Base Panel Carton – EGH-125 (Includes: Front Base Insulation, Front Base Panel, Base Front Access Panel, Back Base Insulation, Back Base Panel and Back Base Channel)		1-4
	389-900-103	Rectangular Tankless Cover Plate Kit With 8 Studs and Nuts and Tankless Gasket		1-5
	590-317-579	Gasket For Cover Plate (Rectangular)		1-5
	389-900-101	Cover Plate For Heater Opening (Round) Includes 6 Studs, Nuts and Gasket		1-5
	590-317-495	Gasket for cover plate (round)		1-5
	451-800-120	Burner Shields (Rollout): EGH-85	29 ³ / ₈ " In Length	1-5
	451-800-121	Burner Shields (Rollout): EGH-95	33 ⁵ / ₈ "	1-5
	451-800-122	Burner Shields (Rollout): EGH-105	37 ⁷ / ₈ "	1-5
	451-800-123	Burner Shields (Rollout): EGH-115	42 ¹ / ₈ "	1-5
	451-800-124	Burner Shields (Rollout): EGH-125	46 ³ / ₈ " ▼	1-5
	560-528-987	Main Burner Orifice, Natural Gas, 245mm (See note 1)		1-4
	560-528-988	Main Burner Orifice, Propane Gas, 155mm (See Note 1)		1-4

Notes:

(1) Order sufficient quantities to replace all orifices within a base.

(2) Number of burners:

EGH-85: 13 main burners and 1 burner with pilot bracket

EGH-95: 15 main burners and 1 burner with pilot bracket

EGH-105: 17 main burners and 1 burner with pilot bracket

EGH-115: 19 main burners and 1 burner with pilot bracket

EGH-125: 21 main burners and 1 burner with pilot bracket

EGH Section and Base Assembly Series 5 Only

N/S	381-700-241	Base Panel Carton – EGH-85 (Includes: Front Base Insulation, Front Base Panel, Base Front Access Panel, Back Base Insulation, Back Base Panel, Refractory Legs and 3oz. RTV Silicone Sealant)		Series 5
	381-700-246	Base Panel Carton – EGH-95 (Includes: Front Base Insulation, Front Base Panel, Base Front Access Panel, Back Base Insulation, Back Base Panel, Refractory Legs and 3oz. RTV Silicone Sealant)		Series 5
	381-700-251	Base Panel Carton – EGH-105 (Includes: Front Base Insulation, Front Base Panel, Base Front Access Panel, Back Base Insulation, Back Base Panel, Refractory Legs and 3oz. RTV Silicone Sealant)		Series 5
	381-700-256	Base Panel Carton – EGH-115 (Includes: Front Base Insulation, Front Base Panel, Base Front Access Panel, Back Base Insulation, Back Base Panel, Refractory Legs and 3oz. RTV Silicone Sealant)		Series 5
	381-700-261	Base Panel Carton – EGH-125 (Includes: Front Base Insulation, Front Base Panel, Base Front Access Panel, Back Base Insulation, Back Base Panel, Refractory Legs and 3oz. RTV Silicone Sealant)		Series 5
12	451-800-136	Base Shield- EGH-85	28 ³ / ₄ " In Length	Series 5
	451-800-137	Base Shield- EGH-95	33 "	Series 5
	451-800-138	Base Shield- EGH-105	37 ¹ / ₄ "	Series 5
	451-800-139	Base Shield- EGH-115	41 ¹ / ₂ "	Series 5
	451-800-140	Base Shield- EGH-125	45 ³ / ₄ " ▼	Series 5
13.	460-003-790	Flue Baffle— One Per Joint		Series 5
N/S	560-528-975	Main Burner Orifice, Natural Gas, 2.30mm	(See Note 1)	Series 5
	560-528-972	Main Burner Orifice, Propane Gas, 1.4mm	(See Note 1)	Series 5
	591-222-183	Refractory Leg—Left and Right		Series 5

EGH Intermittent Ignition Series 5

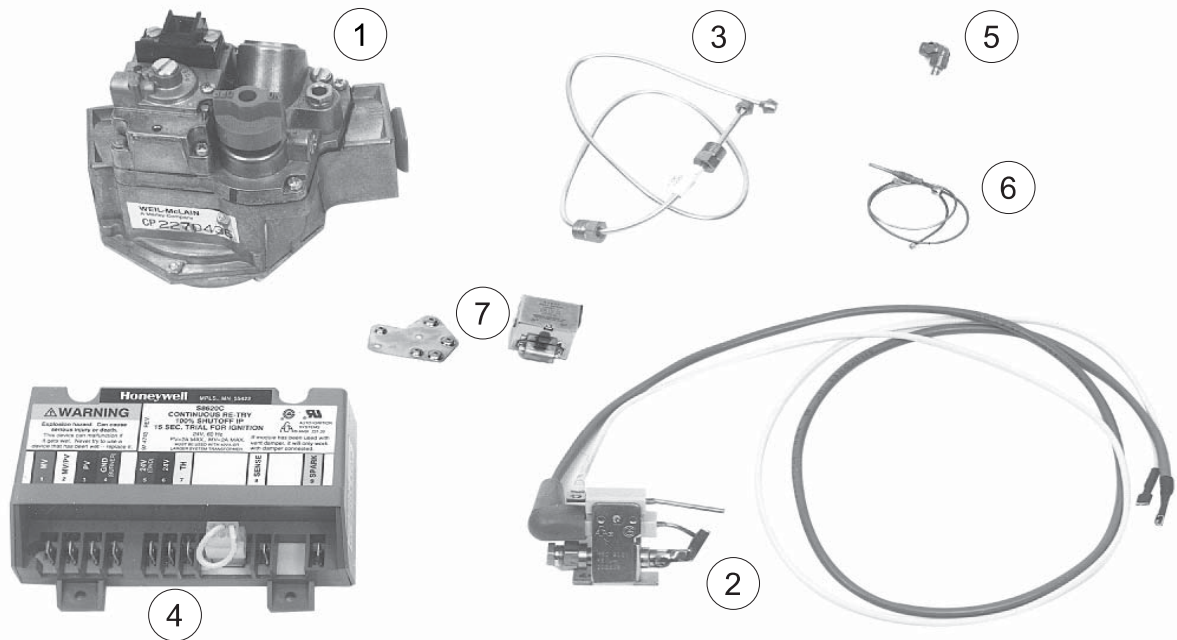


Fig. No.	Part No.	Description	Mfr	Mfr.'s Part No	EGH Series 4 Boiler Size				
					85	95	105	115	125
1	511-044-286	*Combination Gas Control Valve, 3/4" x 1"N.P.T., 24 Volt	Robertshaw	7000DER-HC-S7C-5R1-501-723	X	X			
	511-044-287	*Combination Gas Control Valve, 1" x 1"N.P.T., 24 Volt	Robertshaw	7000FTHC-S7C-5N6-501-723			X	X	X
2	511-330-221	NG PIN Pilot Burner Assembly With Pilot Burner, Orifice, Sensing Lead, Ignition Cable, and 1/4" Adapter	PSE	PSE-NA16	X	X	X	X	X
3	560-742-865	Pilot Tubing Aluminum 1/8" OD x 34" Long ,With Compression Fittings	Weil-McLain		X	X	X	X	X
4	511-330-097	Ignition Control Module Without Molex 24 Volt	United Technologies	1003-611A	X	X	X	X	X
				1003-511					
N/S	540-130-966	Wiring Harness (In Envelope Assy) For Water Boilers Without Tankless Heater Only	Weil-McLain		X	X	X	X	X
	540-130-969	Wiring Harness (In Envelope Assy) For Water Boilers With Tankless Heater Only	Weil-McLain		X	X	X	X	X
	540-130-967	Wiring Harness (In Envelope Assy) For Steam Boilers With Float LWCO Only	Weil-McLain		X	X	X	X	X
	540-130-968	Wiring Harness (In Envelope Assy) For Steam Boilers With Probe LWCO Only	Weil-McLain		X	X	X	X	X
	510-811-390	Natural To Propane Conversion Kit EGH 85-95 only	Weil-McLain		X	X			
	510-811-391	Natural To Propane Conversion Kit EGH 105-125 only	Weil-McLain				X	X	X

*Combination gas valve Includes: manual gas cock, redundant gas valves, main pressure regulator, pilot take-off with filter, pilot adjustment

EGH Intermittent Ignition Series 5 LP Gas

Fig. No.	Part No.	Description	Mfr	Mfr.'s Part No	EGH Series 4 Boiler Size				
					85	95	105	115	125
N/S	511-246-320	¾" Hand Valve With ⅛" Tapping	Conbraco		X	X			
	511-426-325	1" Hand Valve With ⅛" Tapping	Conbraco				X	X	X
1	511-044-278	LP Gas Valve, ¾" x 1" Spark Pilot	Robert Shaw	M700FTHC-S7C	X	X			
	511-044-279	LP Gas Valve, 1" x 1" Spark Pilot	Robert Shaw	M700DERHC-S7C			X	X	X
2	511-330-222	LP Spark Pilot Burner (Includes: Sparker, Sensor, Wires, Pilot Tubing and Pilot Burner)	PSE	LP16	X	X	X	X	X
3	560-742-865	⅛" x 34" Pilot Tubing For Spark Pilot Burner			X	X	X	X	X
	511-330-186	LP Standing Pilot Burner (Includes: Orifice and Pilot Burner)	Honeywell	Q327A-1642	X	X	X	X	X
3	560-528-957	Propane Gas Pilot Orifice, .010 Dia. (For Q0327 Pilot, Below)	Honeywell	388146-KR	X	X	X	X	X
5	511-246-340	⅛" x ¼" Manual Pilot Shut Off Valve			X	X	X	X	X
6	511-724-254	Thermocouple, Screw In, 30" In Length			X	X	X	X	X
7	511-330-229	Pilot Switch Box For Standing Pilot	Johnson Controls	L626B-3C	X	X	X	X	X
EGH CSD-1 Intermittent Ignition Natural Gas Only									
N/S	511-330-086	Control Module, 1 Retry With Alarm Contacts	United Technologies	1003-615			X	X	X
	510-350-226	Impulse Relay	Tyco	S89R-11ABD1-24			X	X	X
	511-624-580	Push Button Switch	Eaton	22K11810			X	X	X
	511-624-581	Red Lens Cover					X	X	X
		Lamp, 24 Volt--Available Locally					X	X	X
	511-044-287	Combination Gas Valve, 1" x 1", 24 Volt	Robert Shaw	5N6-501-723			X	X	X
	511-246-290	Hand Valve, 1"	Watts	1FBV-3C			X	X	X
	511-246-325	Hand Valve, 1" With two ⅛" N.P.T Taps					X	X	X
	511-246-339	Pilot Shut-off Valve, ⅛" N.P.T x ¼" Compression					X	X	X
	510-933-195	Pilot Regulator, ¼" N.P.T	Maxitrol	RV20			X	X	X
	511-044-039	Pilot Solenoid Valve ¼" N.P.T	Honeywell	V8046C-1014			X	X	X
	591-391-887	Wiring Harness, Gravity Return Steam	Weil-McLain				X	X	X
	540-130-976	Wiring Harness, Pumped Steam Return, With Wiring Diagram	Weil-McLain						

EGH Common Components Series 5

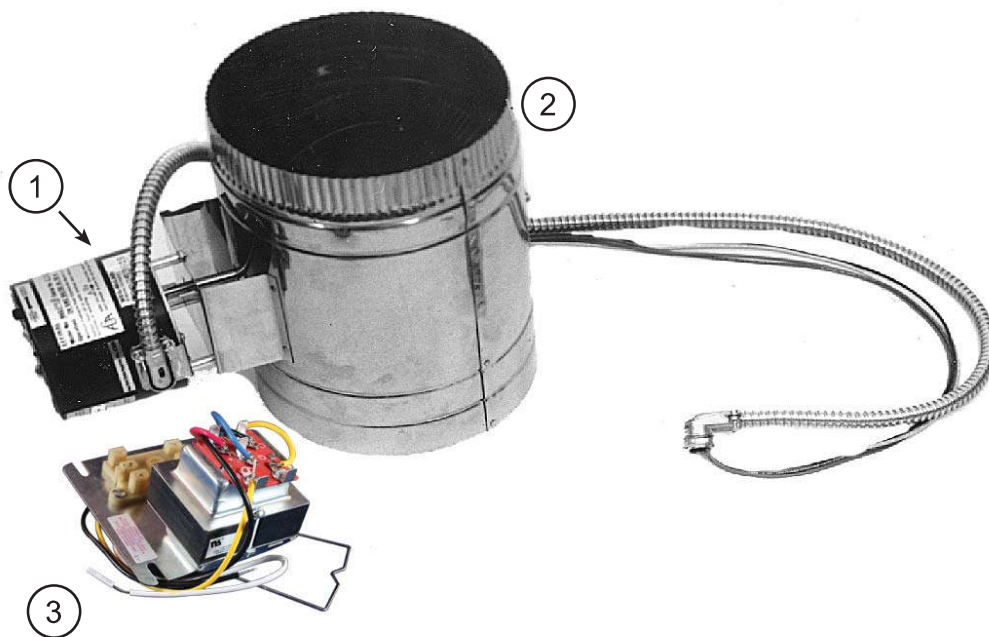
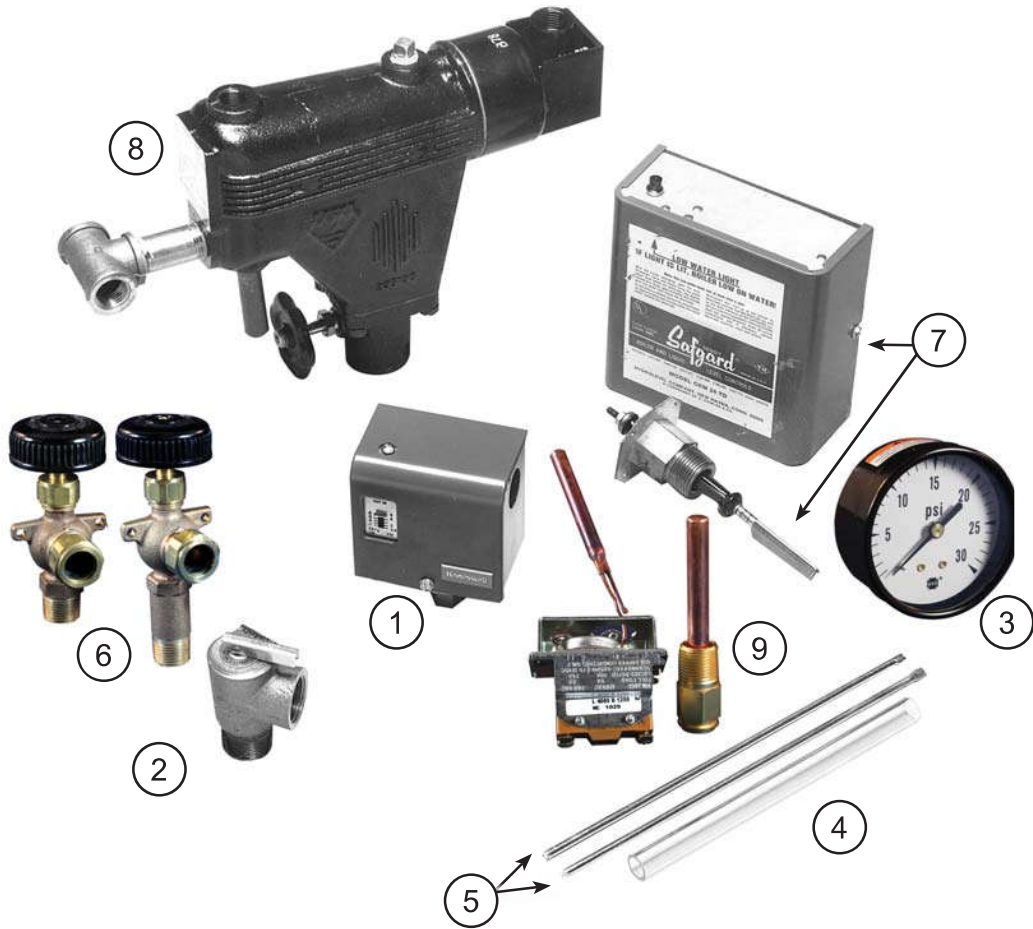


Fig. No.	Part No.	Description	Mfr.	Mfr.'s Part No.	EGH Series 4 Boiler Size				
					85	95	105	115	125
N/S	591-391-795	Damper Wiring Harness With Molex (From Controls Wiring Harness To Damper)	Weil-McLain		x	x	x	x	
1	510-512-337	Vent Damper Motor With Molex (For Use On Effikal Dampers Only)	Effikal	RVGP	x	x	x	x	x
2	381-800-445	Vent Damper Assembly, 9"	Effikal	RVGP-KS-9BF	x				
			Johnson	G35GM	x				
	381-800-446	Vent Damper Assembly, 10"	Effikal	RVGP-KS-10BF		x	x		
			Johnson	G35GP		x	x		
381-800-447	Vent Damper Assembly, 12"	Effikal	RVGP-KS-12BF				x	x	
		Johnson	G35GR				x	x	
3	510-312-166	Combination Transformer Relay Receptacle, 120/24V, 40VA	Honeywell	R8285K1004	x	x	x	x	x
			White-Rogers	S84A-85	x	x	x	x	x

GAS

EGH Steam Trim Series 5



GAS

EGH Steam Trim Series 5

Fig. No.	Part No.	Description	Mfr	Mfr.'s Part No	EGH Series 4 Boiler Size				
					85	95	105	115	125
Trim For All EGH Steam Boilers									
1*	510-312-135	High Pressure Limit Control, SPST, Auto Recycle, 0-15 PSIG Range, 1-5 PSIG Additive Differential, ¼" N.P.T. Bottom Connection	Honeywell	PA-404-A	X	X	X	X	X
2	383-600-105	Steam Relief Valve, 15 PSIG, With ¼" N.P.T. Male Inlet 450 LBH	Conbraco	13-211-08	X	X	X	X	X
			Watts	145	X	X	X	X	X
3	510-218-045	Pressure Gauge 0-30 PSIG, 2½" Dial, ¼" N.P.T. Bottom Mount	Ametek	P505K	X	X	X	X	X
4	383-600-000	Water Gauge Glass Kit, ⅝" x 7⅞" With Gaskets and Brass Washers	Weil-McLain		X	X	X	X	X
5	563-334-580	Water Gauge Glass Guard, ⅝" x 9⅜" (2 Per Unit)	Weil-McLain		X	X	X	X	X
N/S	511-210-423	Drain Valve, ¾" N.P.T. 1½" Shank	Conbraco	31-606-01	X	X	X	X	X
Probe Type Low Water Cut-off Components For EGH Steam Boilers									
6	510-218-145	Water Gauge Glass Cocks, Set, ½" N.P.T., Male Inlet, Long Stem	Conbraco	21-205-03-W	X	X	X	X	X
			United Brass Works	905-946	X	X	X	X	X
7*	511-114-515	Low Water Cut-off, SPDT, ¾" Male Electrode Type, 24 Volt	Hydrolevel	400	X	X	X	X	X
Float Type Low Water Cut-off Components For EGH Steam Boilers									
6	510-218-135	Water Gauge Glass Cocks, Set, ½" N.P.T., Female Inlet, Standard Stem	Conbraco	20-205-03-W	X	X	X	X	X
					X	X	X	X	X
8	511-114-494	Low Water Cut-off, SPDT, ½" N.P.T. Float Type, 24 Volt	McDonnell-Miller	67W-1	X	X	X	X	X
Tankless Heater Operating Temperature Control For EGH Steam Boilers									
9	510-312-250	Operating Temperature Control, SPST, Auto Recycle, 140-240°F Subtractive differential With ¾" N.P.T. Well	Honeywell	L4080D1036	X	X	X	X	X
			White-Rogers	11B81-3	X	X	X	X	X
N/S	590-921-903	Tankless Heater – Steam Boiler (Includes: Heater, Gasket, Nuts And Studs)	Heat Transfer Products	35-S-29	X	X	X	X	X
	590-317-579	Gasket For Tankless Heater Opening							

*Alternate components

* Two high limits used with EGH-85 and EGH-95 standing pilot steam boilers

GAS