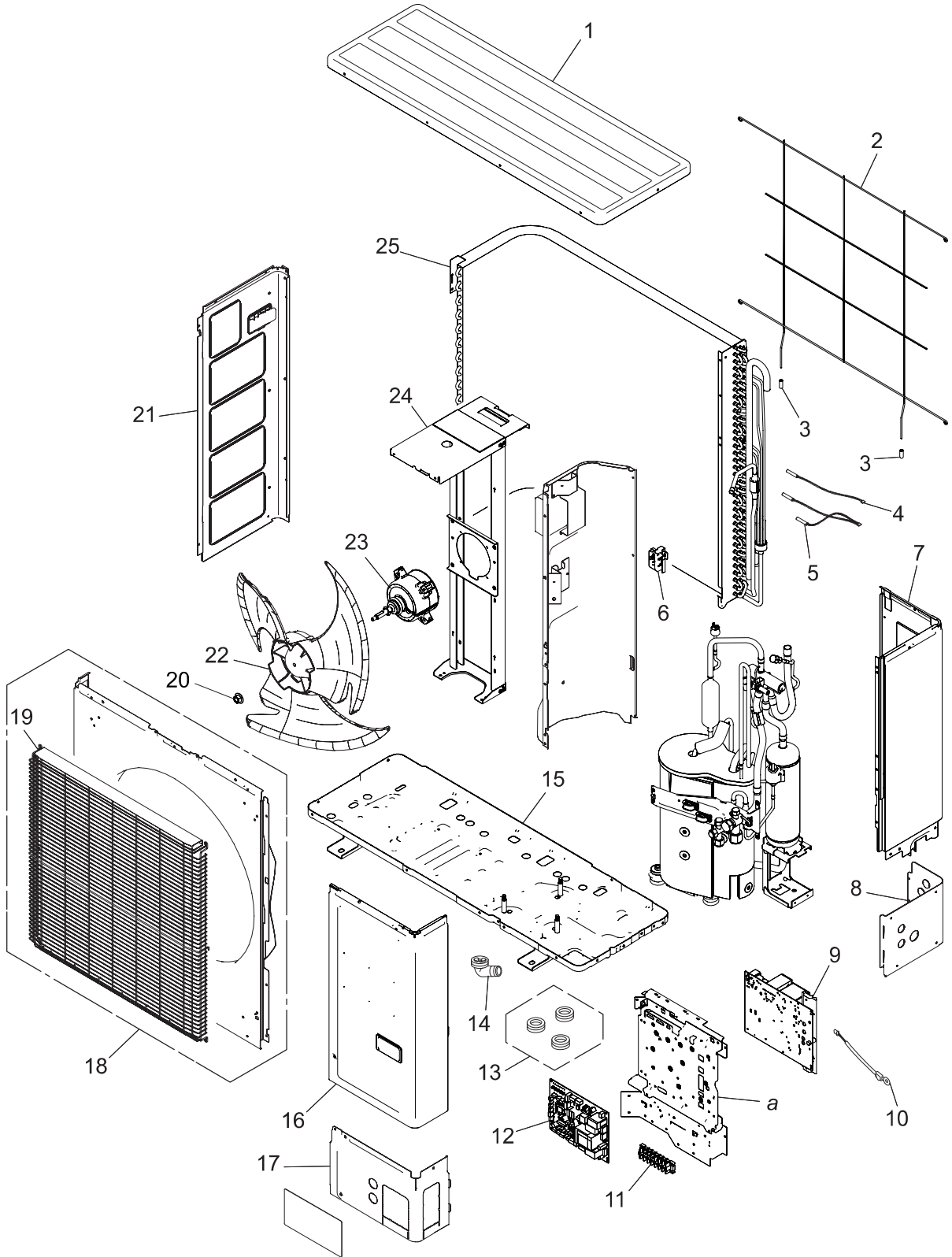


3-2. Model: AOUH24LUAS1

■ Exterior parts and chassis

TECHNICAL DATA
AND PARTS LIST

TECHNICAL DATA
AND PARTS LIST

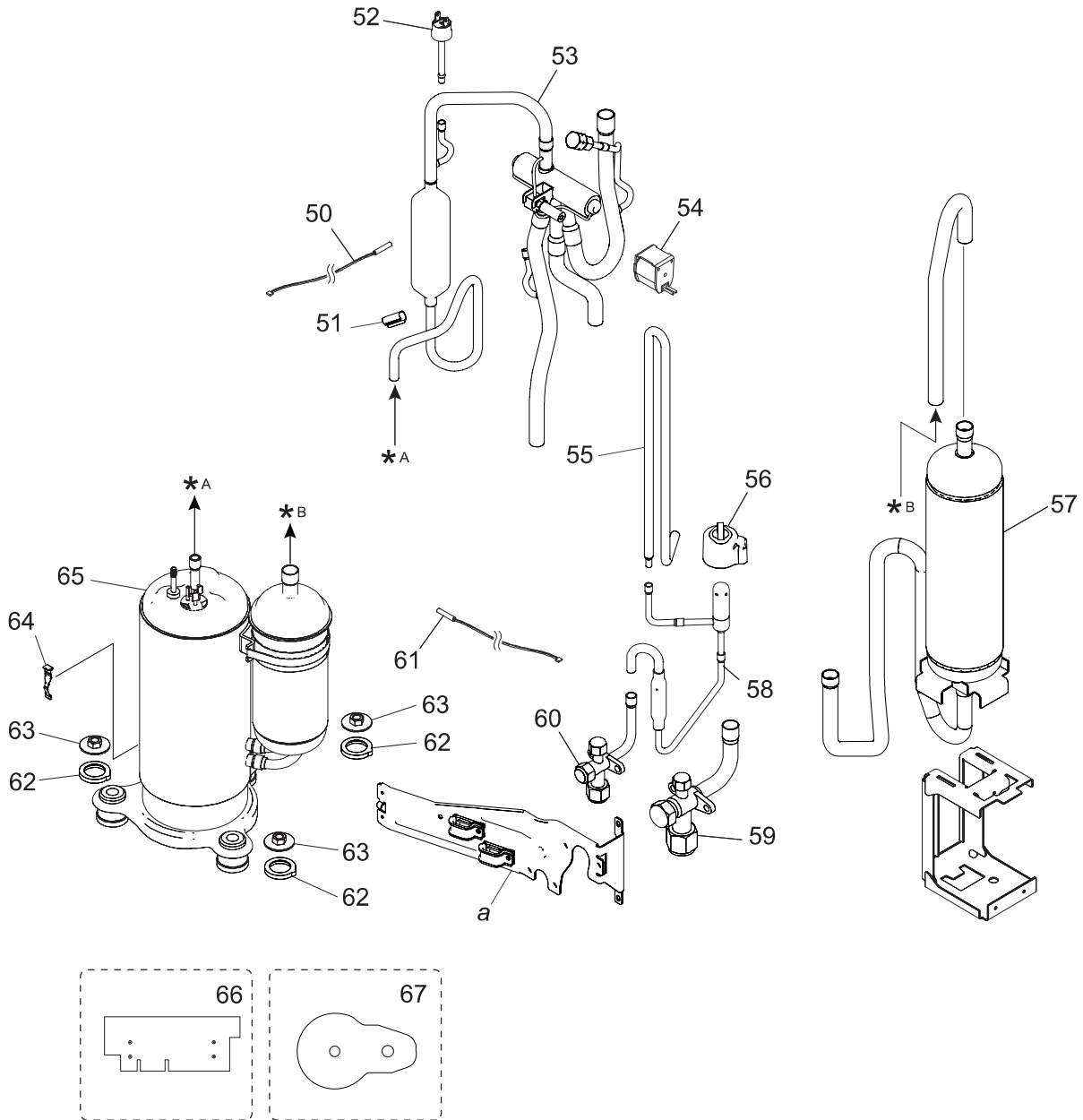


Item no.	Part no.	Part name	Service part
1	9383880001	Top panel assy	◆
2	9383779008	Protective net	◆
3	9375361013	Net rubber	◆
4	9900984038	Thermistor (Heat exchanger)	◆
5	9900727154	Thermistor assy	◆
6	9383607004	Thermo holder	◆
7	9383874000	Right panel sub assy	◆
8	9384997005	Rear pipe cover	◆
9	9709688137	Inverter PCB (Service)	◆
10	9901031014	Heat sink thermistor	◆
11	9900203085	Terminal	◆
12	9711432407	Main PCB	◆
13	313166024302	Drain cap	◆
14	9303029015	Drain assy	◆
15	9383871016	Base assy	◆
16	9383876004	Service panel sub assy	◆
17	9384196019	Front pipe cover	◆
18	9383863035	Front panel assy	◆
19	9350680009	Fan guard	◆
20	0700103063	Nut for Propeller fan	◆
21	9383882005	Left panel sub assy	◆
22	9383336003	Propeller fan	◆
23	9603732011	DC fan motor	◆
24	9383862007	Motor bracket assy	◆
25	9374420711	Condenser sub assy	◆
—	9711332004	Wire with terminal (P102 on Main PCB—Terminal)	◆
—	9711332011	Wire with terminal (P103 on Main PCB—Terminal)	◆
—	9711198006	Wire with connector (P108 on Main PCB—Terminal)	◆
—	9711203007	Wire with connector (P660 on Main PCB—P662 on Inverter PCB)	◆
—	9711204004	Wire with connector (P661 on Main PCB—P663 on Inverter PCB)	◆
—	9711205001	Wire with connector (P350 on Main PCB—P351 on Inverter PCB)	◆
—	9711206039	Wire with terminal (P400, P401, P402 on Inverter PCB—Compressor)	◆
—	9711212009	Wire with connector (P650 on Inverter PCB—Fan motor)	◆
—	9711213006	Wire with connector (P770 on Inverter PCB—Wire with connector [to Pressure switch])	◆
—	9711214003	Wire with connector (Pressure switch—Wire with connector [to Inverter PCB])	◆
a	—	Control box unit	—

Compressor

TECHNICAL DATA
AND PARTS LIST

TECHNICAL DATA
AND PARTS LIST



Item no.	Part no.	Part name	Service part
50	9900565091	Thermistor (Outdoor temp.)	◆
51	9357804002	Thermostat holder	◆
52	9900186029	Pressure switch	◆
53	9374425723	4-way valve assy	◆
54	9970194016	Solenoid	◆
55	9380416029	Joint pipe D	◆
56	9970209000	Expansion valve coil	◆
57	9375250225	Accumulator assy	◆
58	9370947373	Expansion valve assy	◆
59	9379079013	3-way valve assy	◆
60	9377958037	3-way valve assy	◆
61	9900985035	Thermistor (Compressor)	◆
62	9379179096	Rubber washer E	◆
63	9377973016	Special nut	◆
64	9810028006	Thermistor stopper	◆
65	9810666000	Compressor assy	◆
66	9379647243	S-ABS (body)	◆
67	9380516064	S-ABS (top)	◆
a	—	Wiring fixation unit	—