

KOHLER®

Undertone® Under-Mount Kitchen Sink K-3332

Features

- 27" (686 mm) minimum base cabinet width.
- Single bowl.
- 7-1/2" depth.
- SilentShield® sound-absorption technology offers quieter performance.
- Rear drain increases workspace in the sink and storage space underneath.
- Includes installation hardware.

Material

- Premium 18-gauge stainless steel.

Installation

- No faucet holes.
- Undermount.

Recommended Products/Accessories

- K-3192 Sink rack for Iron/Tones® kitchen sinks
- K-6391 Sink rack for Undertone® sinks
- K-8801 Sink Strainer
- K-8799 Sink Strainer
- K-23726 Drain treatment
- K-23729 Stainless steel cleaner

Optional Products/Accessories

- K-11352 Disposal Flange with Stopper



Codes/Standards

ASME A112.19.3/CSA B45.4

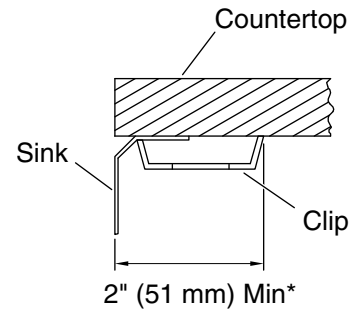
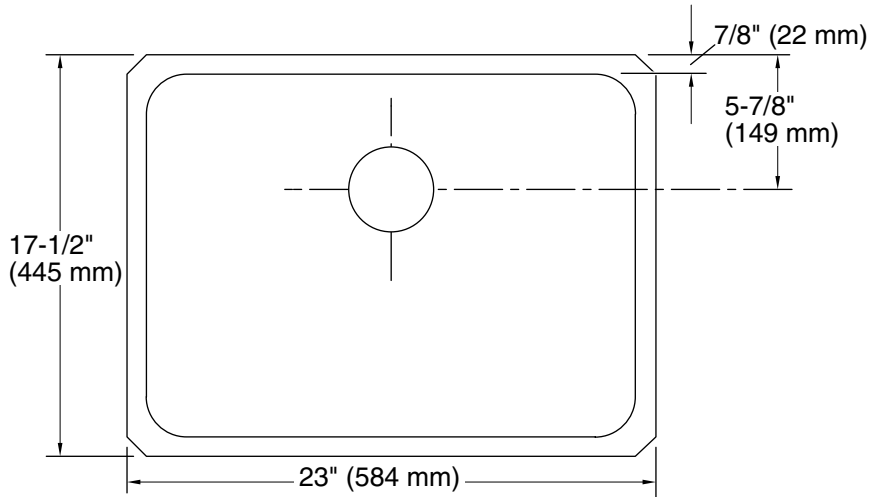
Lifetime Limited Warranty for KOHLER® Stainless Steel Sinks

See website for detailed warranty information.

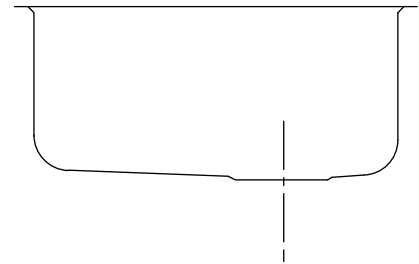
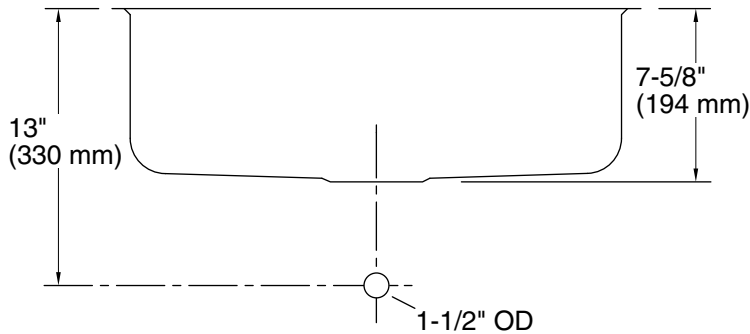
1-800-4KOHLER (1-800-456-4537)

Kohler Co. reserves the right to make revisions without notice to product specifications.
For the most current Specification Sheet, go to www.kohler.com.

THE BOLD LOOK
OF **KOHLER®**



* Allow clearance around sink rim for clip attachment.



Technical Information

All product dimensions are nominal.

Installation:	Under-mount
Min. base cabinet width:	27" (686 mm)
Bowl area (Center):	Length: 21-1/4" (540 mm) Width: 15-3/4" (400 mm) Bowl depth: 7-1/2" (191 mm) Water depth: 7-1/2" (191 mm)
Drain hole:	3-3/4" (94 mm)
Template:	113193-7, required, included

Notes

Install this product according to the installation instructions.