

Features

- CleanCoat®+ glass coating creates a hydrophobic barrier that repels water, soap scum, and residue, saving time and protecting shower doors 10 times longer than original CleanCoat. (Based on 2021 internal wear/abrasion testing using a microfiber cloth.)
- Tempered glass ensures enhanced safety and durability

Material

- Heavy 5/16" (8 mm) glass for strength and stability

Installation

- Out-of-plumb adjustability simplifies installation
- Door can be installed to open to the left or right to suit your bathroom layout
- Not for use in hospitality
- For residential use only



Codes/Standards




ANSI Z97.1
CAN/CGSB-12.1
CPSC 16CFR 1201

**STERLING® Bath and Shower Doors
Five-Year Limited Warranty**

See website for detailed warranty information.

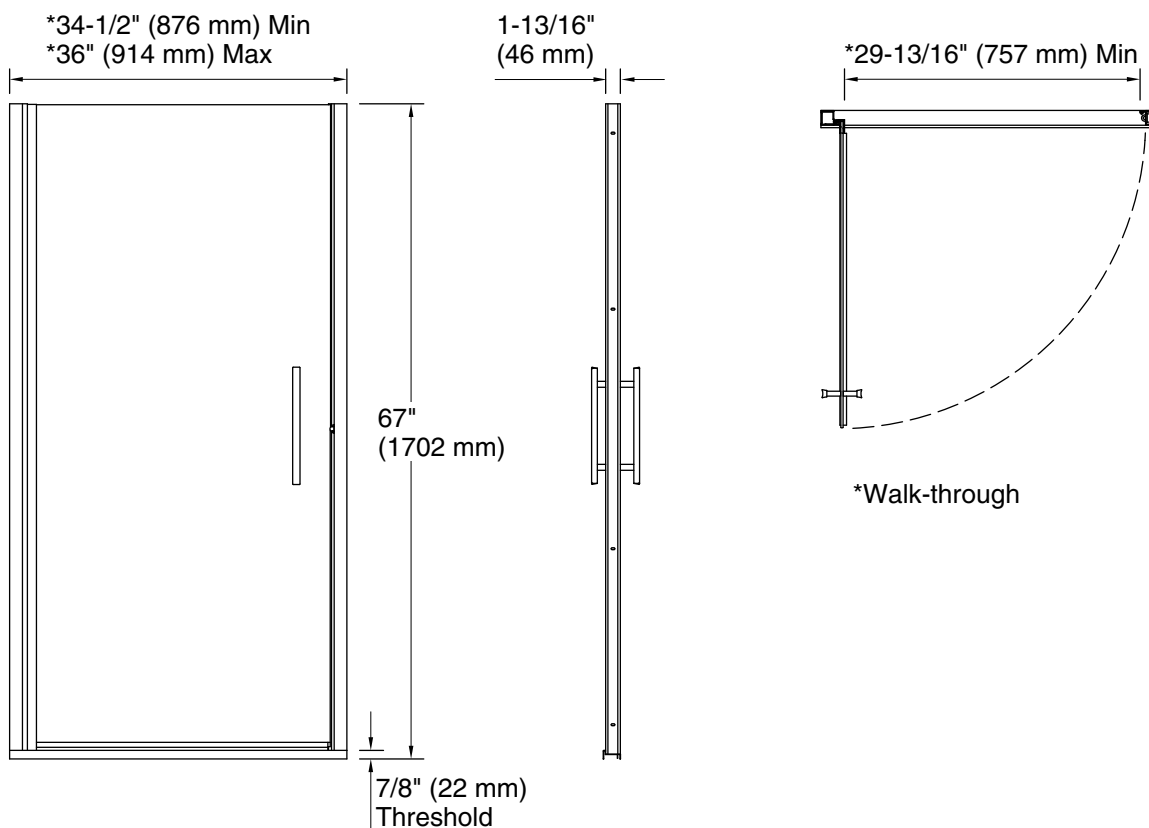
Available Colors/Finishes

Color tiles intended for reference only.

Color	Code	Description
	ADR	Anodized Deep Bronze
	ADR	Anodized Deep Bronze
	N	Nickel
	N	Nickel
	S	Silver
	S	Silver

Available Glass Options

Code	Description
G05	Clear Frosted



Technical Information

All product dimensions are nominal.

- Base-To-Wall $1/2"$ (13 mm)
- Radius – Max:
- Shower Ledge Min $2\text{-}1/16"$ (52 mm)
- Flat:
- Shower Wall Min $1\text{-}1/2"$ (38 mm)
- Flat:

Notes

- Install this product according to the installation instructions.
- The vertical opening should be a minimum of $67"$ (1702 mm) to allow for installation clearance.