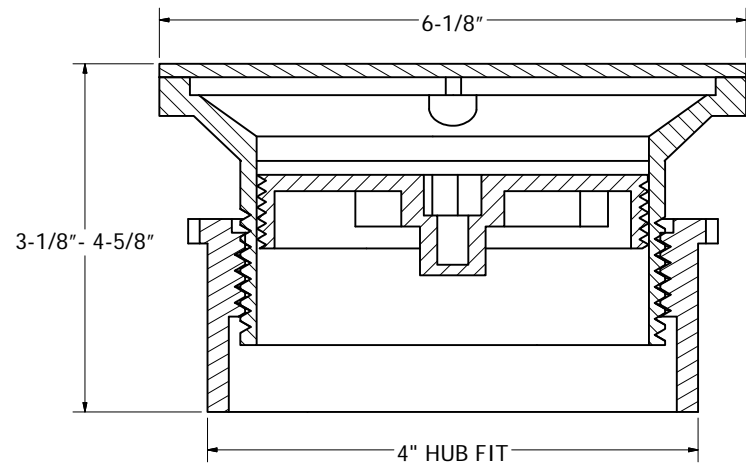
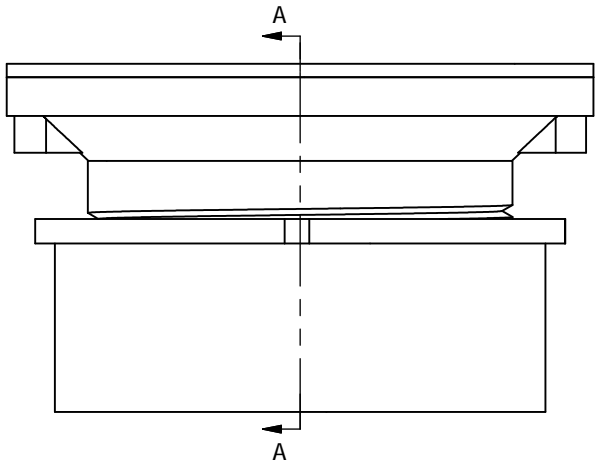
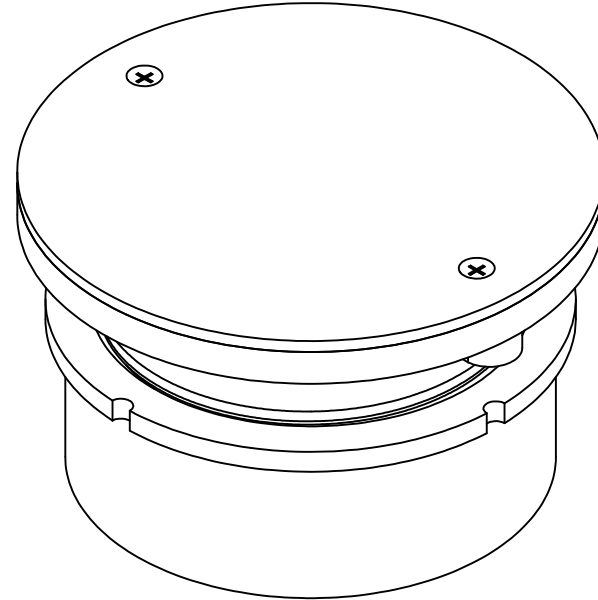
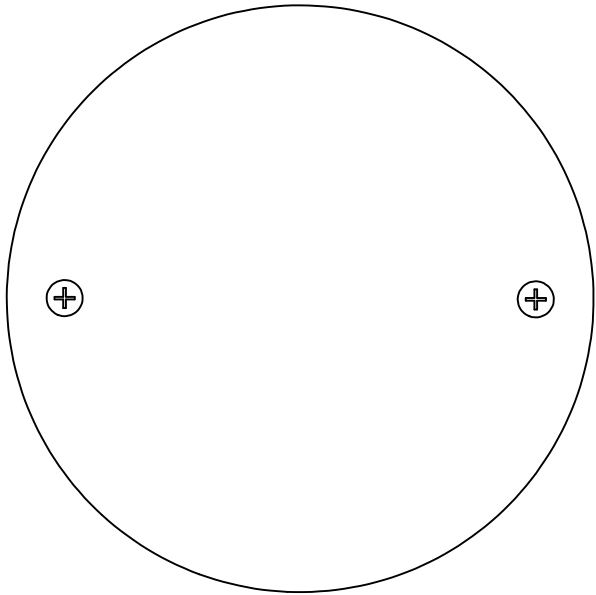


4" HUB FIT BASE WITH 3-1/2" PLASTIC SPUDS 6" ROUND COVER FITS OVER 4" SCHEDULE 40 DWV PIPE



SECTION A-A
SCALE 1 : 1



PHONE NUMBER
1-800-355-6637
FAX NUMBER
1-800-462-6991
SCALE 1 : 1 DATE 2-04-11
SHEET 1 OF 1
DRAWN BY ASHLEY KRALOVEC

PART NO.	C59001	C5002	C59003	C59004					
COVER	6" PB	6" PB	6" NB	6" NB					
MATERIAL	PVC	ABS	PVC	ABS					