

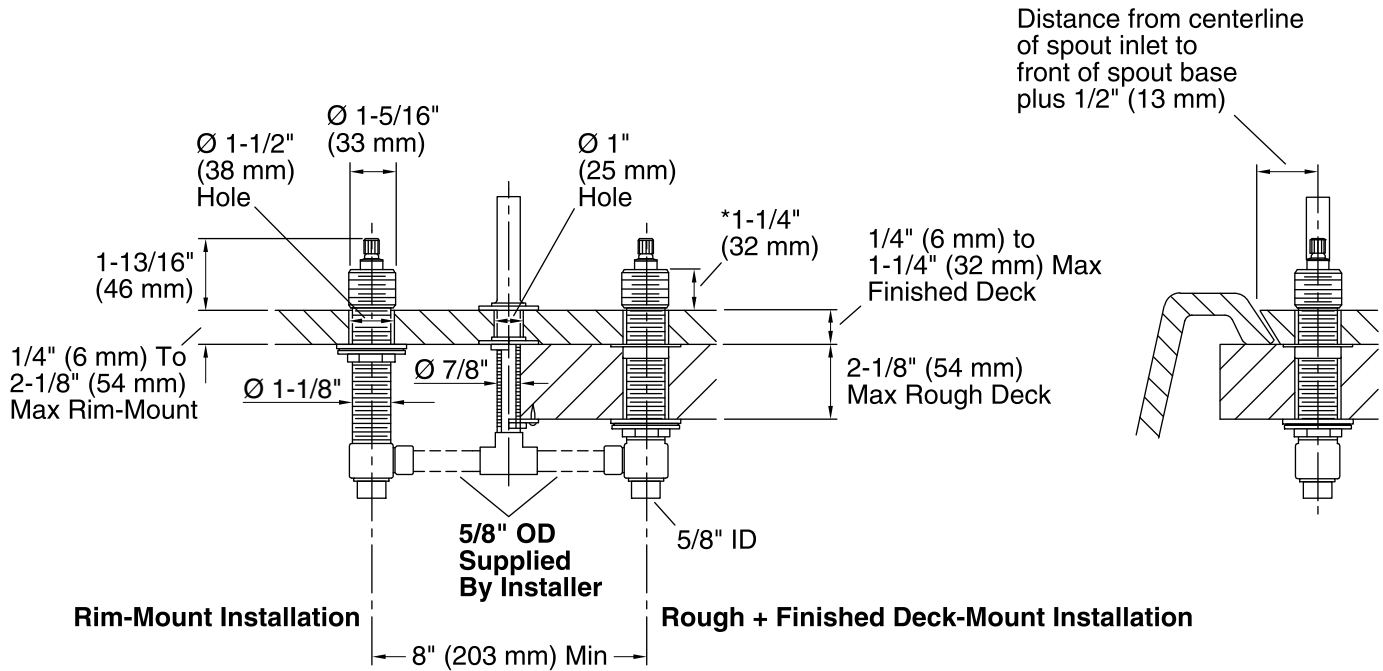


Codes/Standards

None Applicable

See website for detailed warranty information.

*Dimension allows $\pm 1/4"$ (6 mm) handle adjustment during handle trim installation.



Technical Information

All product dimensions are nominal.