

Features

- A single handle controls both on/off activation and temperature setting
- 9" (229 mm) spout reach
- 7.5 gpm (28.4 lpm) maximum bath faucet flow rate at 45 psi (3.1 bar)
- 1.75 gpm (6.6 lpm) maximum handshower flow rate at 80 psi (5.5 bar)
- KOHLER ceramic disc valves exceed industry longevity standards for a lifetime of durable performance
- Coordinates with other products in the Riff collection

Material

- Premium metal construction for durability and reliability
- KOHLER finishes resist corrosion and tarnishing

Installation

- Floor-mount

Required Products/Accessories

For freestanding installation
K-97339 Mounting block for select floor-mount bath fillers

Recommended Products/Accessories

K-23723 Faucet cleaner
K-27409 18" towel bar
K-27410 24" towel bar
K-27411 Double robe hook
K-27412 Towel ring
K-27413 Pivoting toilet paper holder



Codes/Standards






ASME A112.18.1/CSA B125.1
DOE - Energy Policy Act 1992
EPA WaterSense®
California Energy Commission (CEC)

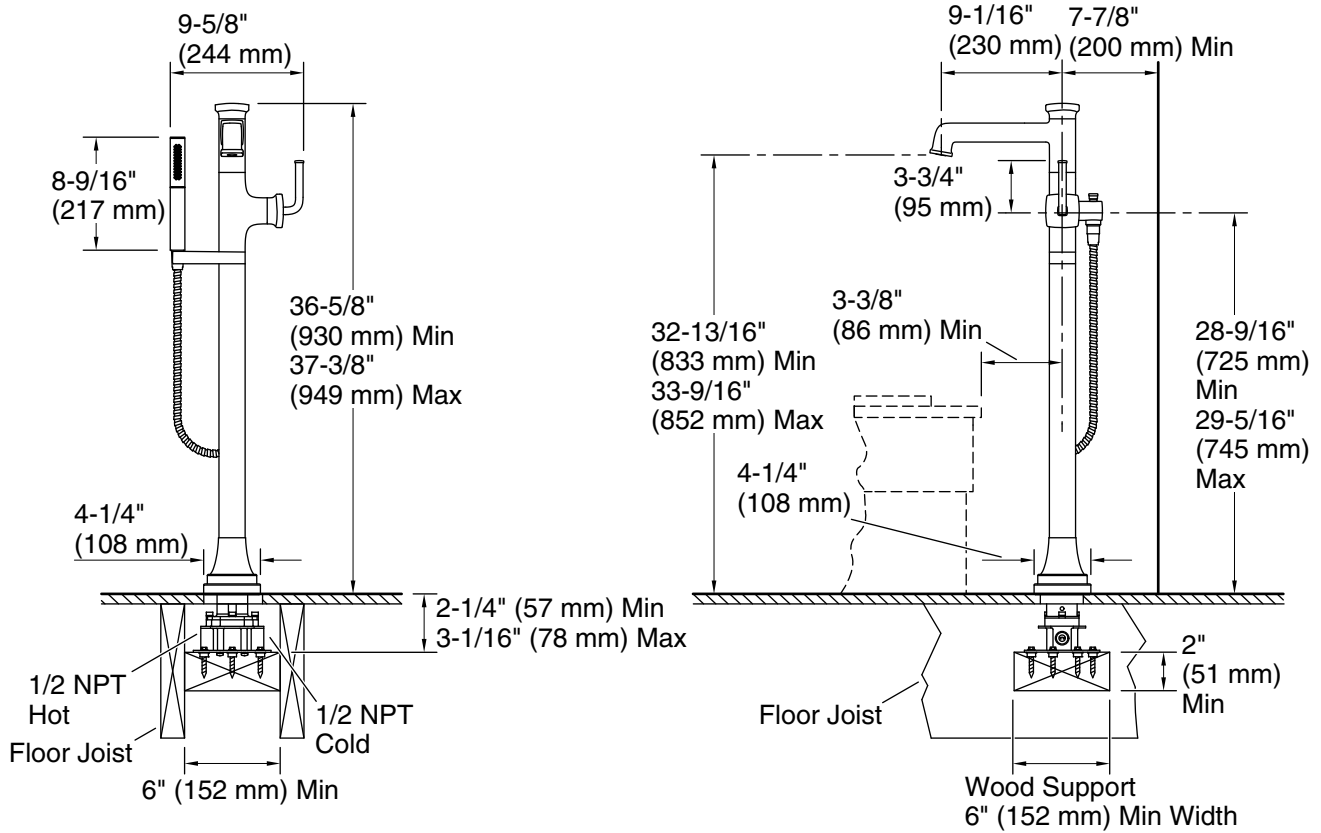
KOHLER® Faucet Lifetime Limited Warranty

See website for detailed warranty information.

Available Colors/Finishes

Color tiles intended for reference only.

Color	Code	Description
	CP	Polished Chrome
	SN	Vibrant® Polished Nickel
	BN	Vibrant® Brushed Nickel
	BL	Matte Black
	2MB	Vibrant® Brushed Moderne Brass



Technical Information

All product dimensions are nominal.

Drain included: No

Notes

Install this product according to the installation instructions.