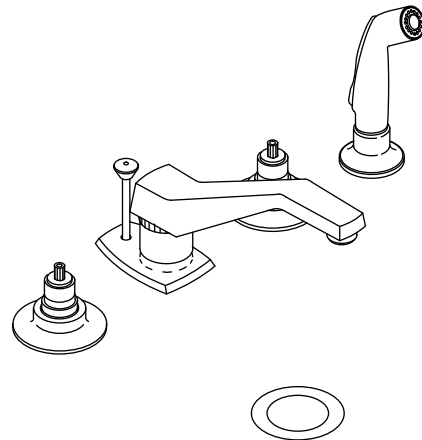


**BATHROOM SINK BASE FAUCET  
K-7449-K**

**Features**

- Brass construction
- For 8" (203 mm) centers
- Brass valve bodies
- Quarter-turn washerless ceramic disc valves
- 6-1/2" (165 mm) swing spout
- 2.0 gallons (7.6 L) per minute flow rate [max at 60 psi (4.14 bar)]
- Pop-up drain with lift rod and tailpiece
- White shampoo spray
- Variety of handle style options
- Intended for Lady Vanity® bathroom sink installations



**Codes/Standards Applicable**


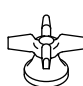


Specified model meets or exceeds the following:

- ADA
- ASME A112.18.1/CSA B125.1
- ICC/ANSI A117.1
- Energy Policy Act of 2005
- NSF 61

**Colors/Finishes**

- CP: Polished Chrome

**Specified Model**

Model	Description	Colors/Finishes			
K-7449-K	Triton® bathroom sink base faucet	<input type="checkbox"/> CP			
Required Accessories (Includes Two Handles)			 ADA	 ADA	 ADA CSA B651 OBC
K-16012-2	Triton standard handles	<input type="checkbox"/> CP			
K-16012-3	Triton cross handles		<input type="checkbox"/> CP		
K-16012-4	Triton lever handles			<input type="checkbox"/> CP	
K-16012-5	Triton wristblade lever handles				<input type="checkbox"/> CP

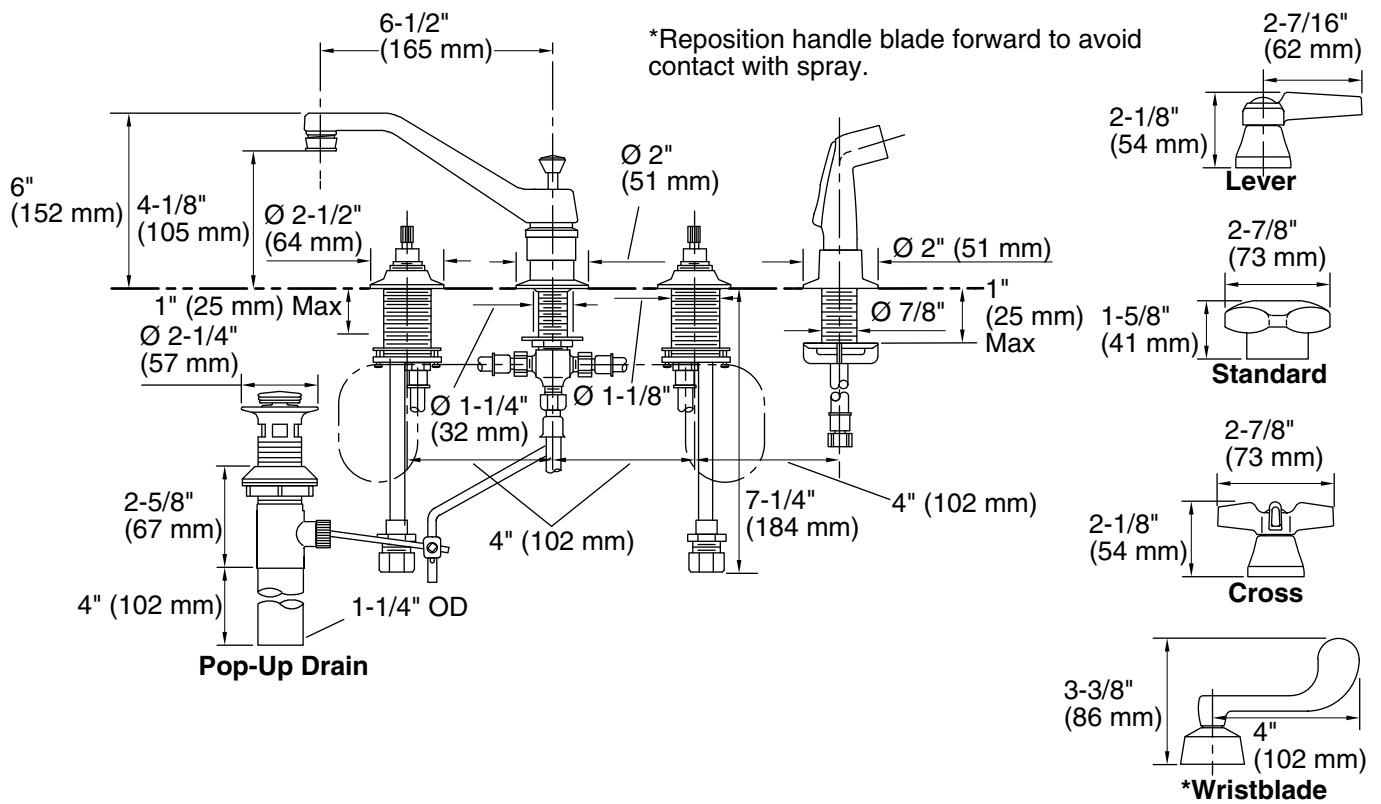
**Product Specification**

Two-handle widespread bathroom sink shampoo base faucet shall be of brass construction. Faucet shall feature brass valve bodies. Faucet shall feature quarter-turn washerless ceramic disc valves, assuring positive handle stop positioning. Product is intended for Lady Vanity® bathroom sink installations. Product shall include 8" (203 mm) centers, 6-1/2" (165 mm) swing spout, pop-up drain with lift rod and tailpiece, and white shampoo spray. Base faucet shall be Kohler Model K-7449-K-CP and handles shall be Kohler Model K-16012-\_\_\_\_\_-CP.

# TRITON®

## Installation Notes

Install this product according to the installation guide.



## Product Diagram