



# Ensemble™ Curve

60" x 30" Vikrell® shower, left drain  
72170110



### Features

- 4" threshold
- Durable high-gloss finish
- Three-piece tongue-and-groove walls with snap-together installation
- Convenient shelves, shaving ledge/footrest
- Innovative Dry-Block™ seal and channeled water containment system form watertight seams

### Material

- Made from solid Vikrell® material for strength, durability, and lasting beauty

### Installation

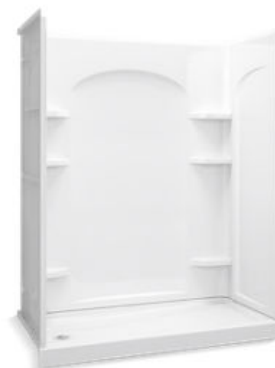
- Alcove
- Left drain
- Caulk-free installation

### Recommended Products/Accessories

- K-23726 Drain treatment
- K-23733 Vikrell® cleaner

### Included Components

- 72171110 60" x 30" Vikrell® shower base, left drain
- 72175100 30" Vikrell® shower end wall set
- 72372100 60" Vikrell® shower back wall



### Codes/Standards

- CSA B45.5/IAPMO Z124
- ASTM E162
- ASTM E662
- HUD, UM Bulletin 73


### STERLING® Vikrell® or Acrylic Baths and Shower Bases Ten-Year Limited Warranty

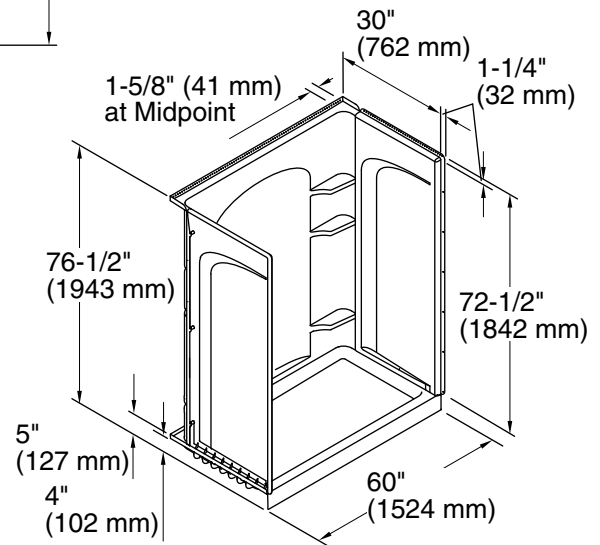
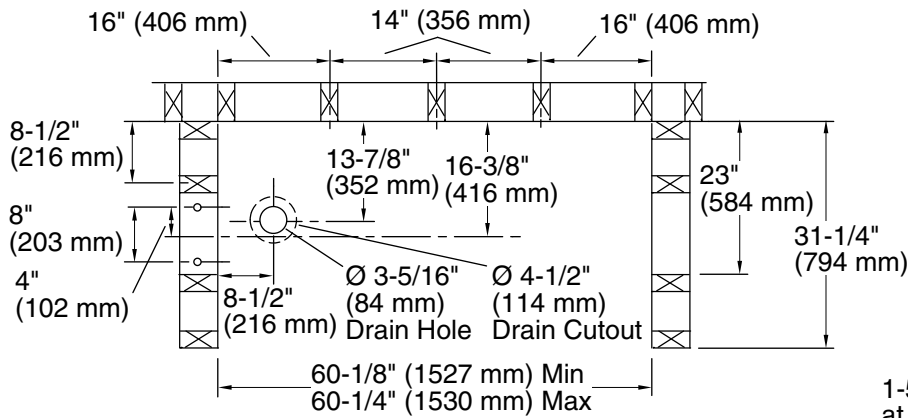
See website for detailed warranty information.

### Available Colors/Finishes

*Color tiles intended for reference only.*

#### Color Code Description

|   |   |       |
|---|---|-------|
|  | 0 | White |
|---|---|-------|



**Technical Information**

All product dimensions are nominal.

|                        |                     |
|------------------------|---------------------|
| Drain location:        | Left                |
| Weight:                | 123.7 lbs (56.1 kg) |
| Minimum flat for door: | 3" (76 mm)          |
| Maximum door height:   | 70-1/2" (1791 mm)   |
| Maximum door width:    | 56-5/8" (1438 mm)   |

**Notes**

Install this product according to the installation instructions.

Studs should be positioned roughly as shown.

Double studding is recommended for pivot shower door installations.