



**Strive®**  
Smart Divide® 32" undermount double-bowl  
workstation kitchen sink  
**K-33664-PC**

### Features

- 33" (838 mm) minimum base cabinet width
- Offset, double-bowl sink
- 9" (229 mm) depth provides generous workspace
- Smart Divide® feature offers a lower bowl divider that increases workspace versatility
- Rear drains increase workspace in the sink and storage space underneath
- Rounded 3/8" (10 mm) corners are easy to clean
- SilentShield® sound-absorption technology offers quieter performance
- All included accessories nest neatly together for easy storage when not in use
- Included accessories: cutting board, drain board, colander / drying rack, soaking bin with drain, stainless steel bottom sink rack, drain cover
- Sink drain and strainer sold separately



### Material

- Premium 16-gauge stainless steel

### Installation

- Undermount
- Installation hardware and templates included

### Recommended Products/Accessories

- K-35484 Three-piece workstation sink prep bowl set
- K-35487 Three-piece ice bucket set
- K-35488 Ice bucket holder
- K-35489 Professional-style cutting board
- K-35491 Marble serving tray
- K-35485 Workstation sink cover
- K-37917-WAL Colander
- K-37918-WAL Soaking bin
- K-37922-WAL Three-piece salad bowl set
- K-37923-WAL Pot rack
- K-37914-WAL Three-piece workstation sink prep bowl set

### Optional Products/Accessories

- K-8801 Sink drain and strainer with tailpiece
- K-11352 Disposal Flange with Stopper
- K-23729 Stainless steel cleaner
- K-35492 Bar sink cover

### Included Components

- K-33675 Left-side sink rack for K-33664-PC Strive kitchen sink
- K-35478 Three-piece workstation sink accessory set
- K-35480 Hardwood cutting board
- K-35482 Drain cover

### Codes/Standards

ASME A112.19.3/CSA B45.4

### KOHLER® Stainless Steel Sinks Lifetime Limited Warranty

See website for detailed warranty information.

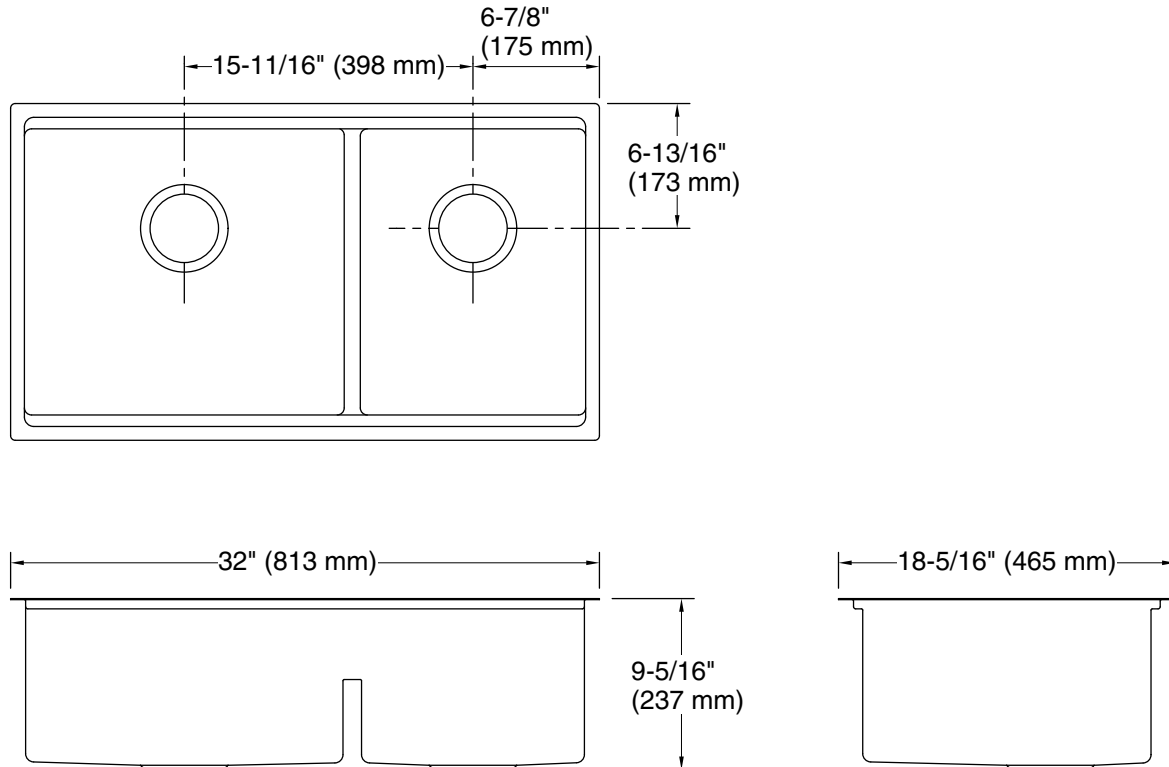
1-800-4KOHLER (1-800-456-4537)

Kohler Co. reserves the right to make revisions without notice to product specifications.

For the most current Specification Sheet, go to [www.kohler.com](http://www.kohler.com) USA or [www.kohler.ca](http://www.kohler.ca) Canada

10-5-2025 19:27 - US/CA

THE BOLD LOOK  
OF **KOHLER®**



## Technical Information

All product dimensions are nominal.

Basin configuration: Large Bowl on Left

Min. base cabinet width: 33" (838 mm)

Bowl area (Left): Length: 17-1/8" (435 mm)  
 Width: 15-9/16" (395 mm)  
 Bowl depth: 9" (229 mm)  
 Water depth: 9" (229 mm)

Bowl area (Right): Length: 12" (305 mm)  
 Width: 15-9/16" (395 mm)  
 Bowl depth: 9" (229 mm)  
 Water depth: 9" (229 mm)

Drain hole: 3-3/4" (94 mm)

Template: Undermount, 1564888-7, required, included

## Notes

Install this product according to the installation instructions.

"NOTICE: Countertop manufacturer or cutter must use the cut-out template provided with the product, or a current one provided by Kohler Co. (call 1- 800-4KOHLER). Kohler Co. is not responsible for cutout errors when the incorrect cut-out template is used."