

### Features

- 8" (203 mm) widespread faucet holes.
- Elegant rectangular basin.
- Overflow drain.
- Coordinates with other products in the Memoirs collection.

### Material

- Vitreous china.

### Installation

- Drop-in.

### Recommended Products/Accessories

- K-8998 P-Trap
- K-23726 Drain treatment
- K-23725 Cast iron cleaner



ADA CSA B651 OBC

### Codes/Standards










ASME A112.19.2/CSA B45.1  
ADA  
ICC/ANSI A117.1  
CSA B651  
OBC

### KOHLER® One-Year Limited Warranty

See website for detailed warranty information.

### Available Colors/Finishes

*Color tiles intended for reference only.*

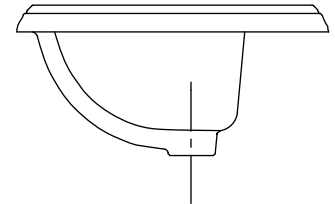
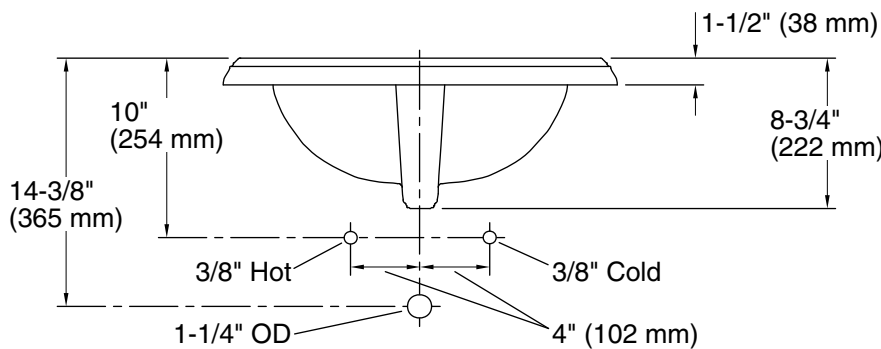
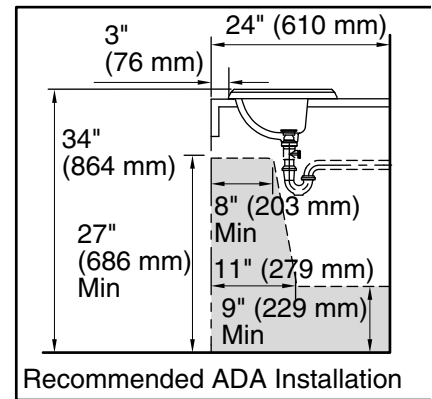
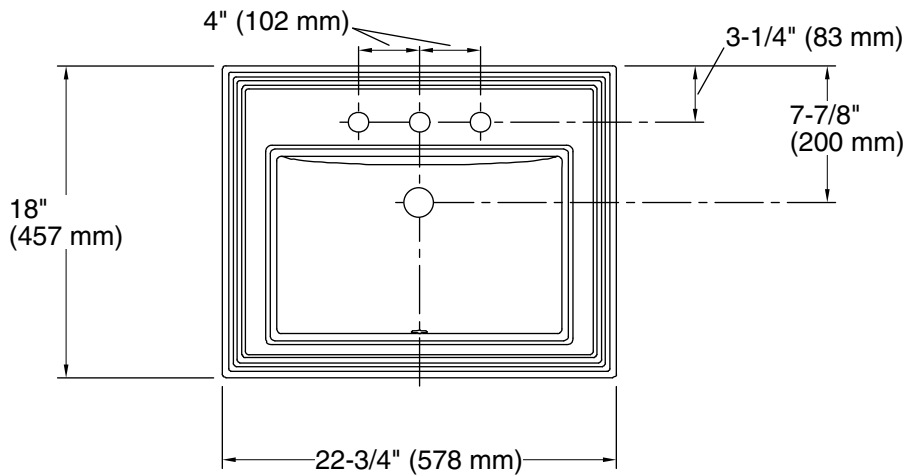
Color	Code	Description
	0	White
	96	Biscuit
	NY	Dune
	95	Ice™ Grey
	G9	Sandbar
	33	Mexican Sand™
	K4	Cashmere
	58	Thunder™ Grey
	7	Black Black™



# Memoirs® Classic

## Drop-in Bathroom Sink

### K-2241-8



### Technical Information

All product dimensions are nominal.

- Bowl configuration: Single  
Installation: Drop-in  
Bowl area (Only): Length: 17" (432 mm)  
Width: 10" (254 mm)  
Water depth: 5" (127 mm)  
Number of deck holes: 3  
Faucet hole spacing: 8" (203 mm)  
Faucet hole(s): 1-3/8" (35 mm)  
Drain hole: 1-3/4" (44 mm)  
Template: 1003676, required, included

### Notes

Install this product according to the installation instructions.

**NOTICE:** Countertop manufacturer or cutter must use the cutout template provided with the product, or a current one provided by Kohler (call 1-800-4-KOHLER). Kohler is not responsible for cutout errors when incorrect cutout template is used.

ADA, OBC, CSA B651 compliant when installed to the specific requirements of these regulations.