



# HydroRail<sup>®</sup>-S | K-45905

Bath/shower column

## Features

- Column lets you customize your shower with a showerhead and handshower
- Designed for new installations or retrofit to replace an existing installed shower arm
- Diverter at base of column makes for easy toggling between handshower and showerhead
- Slidebar bracket allows you to adjust the height and angle of the handshower
- Showerhead, handshower, and shower hose are sold separately to allow for customized decor and functionality



## Available Colors/Finishes

*Color tiles intended for reference only.*

- AF Vibrant French Gold
- BL Matte Black
- 2MB Vibrant Brushed Moderne Brass
- TT Vibrant Titanium



1-800-4KOHLER (1-800-456-4537)  
Kohler Co. reserves the right to make revisions without notice to product specifications.  
For the most current specification sheet, go to [www.kohler.com](http://www.kohler.com) USA or [www.kohler.ca](http://www.kohler.ca) Canada.  
4-22-2026 11:8 - US-CA

THE BOLD LOOK  
OF **KOHLER**

---

## Codes/Standards

*ADA compliant when installed to the specific requirements of these regulations.*

ADA

ASME A112.18.1/CSA B125.1

ADA

---

## Material

- KOHLER finishes resist corrosion and tarnishing
  - Premium metal construction for durability and reliability
- 

## Recommended Products/Accessories

K-23723 Faucet cleaner

---

## Warranty

*See website for detailed warranty information.*

KOHLER® Faucet Lifetime Limited Warranty

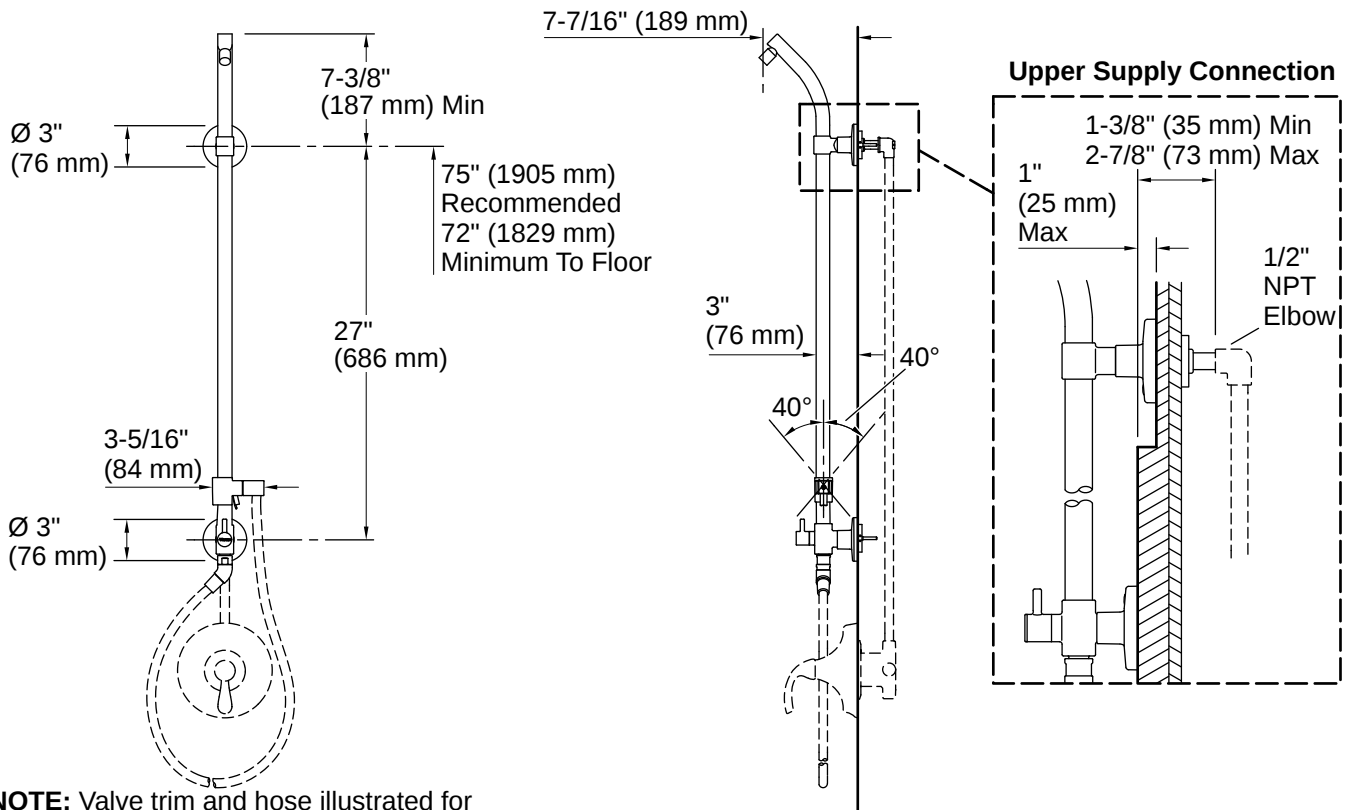


1-800-4KOHLER (1-800-456-4537)

Kohler Co. reserves the right to make revisions without notice to product specifications.

For the most current specification sheet, go to [www.kohler.com](http://www.kohler.com) USA or [www.kohler.ca](http://www.kohler.ca) Canada.

4-22-2026 11:8 - US-CA



**NOTE:** Valve trim and hose illustrated for dimensioning only, not included in the product.

## Installation

- Wall-mount bath or shower installation
- Installs in less than 60 minutes without changes to in-wall plumbing (subject to condition of existing installation)
- May require additional service parts based on installation type (see installation guide for details)
- Includes an adapter that will fit with most installations but may require one or more kits (sold separately)
- Includes an adapter that will fit with most installations but may require K-1194630, K-1187917 or K-1194302

## Installation Notes

*Install this product according to the installation instructions.*

Order deep roughing-in kit 1194630 if the distance from the elbow to the finished wall surface is between  $2\text{-}7/8''$  (73 mm) to  $4''$  (102 mm). Order shallow roughing-in kit 1187917 if the distance from the elbow to the finished wall surface is less than  $1\text{-}3/8''$  (35 mm).

A  $3''$  (76 mm) escutcheon/mounting collar is supplied to fit a  $1''$  (25 mm) to  $1\text{-}1/4''$  (32 mm) supply connection hole diameter. Order 1194302 large escutcheon/mounting collar kit if the supply connection hole diameter is between  $1\text{-}1/4''$  (32 mm) to  $2\text{-}1/4''$  (57 mm).

ADA compliant when installed to the specific requirements of these regulations.

