

Features

- Side-integrated LED lighting provides optimally bright bathroom vanity lighting for grooming tasks
- Brightness at 1900 lumens ensures consistent lighting with no hot spots or dark spots. Produces 88 lumens per watt
- Approx. 3000 Kelvin light appearance delivers a neutral light ideal for overall bathroom aesthetics as well as tasks
- Minimum 90 CRI (color rendering index) lets you see yourself in the truest light for makeup application, grooming and skin care
- Integrated LED bulbs have an estimated life expectancy of 50,000 hours
- Compatible with wall-mount LED dimmers (not included), which allow you to control lighting from multiple locations in the space
- Innovative staggered shelf layout fits tall and short items
- Five fixed shelves—three full width, two partial
- Internal shelf features electrical outlet for powering small devices such as toothbrushes or razors
- Holds optional Moxie™ speaker charging dock (K-81106); speaker and charging dock sold separately
- Low-profile design hugs the wall for a clean look
- Front mirror, inside door mirror, and back panel mirror provide superior visibility
- Two-way adjustable hinges with 108° opening capability for easy cabinet access

Material

- Rustproof aluminum

Installation

- Easy surface-mount installation—no wall cutting
- Reversible: install as left- or right-hinge swing
- Includes mounting hardware

Recommended Products/Accessories

K-81106 Maxstow charging dock
K-28238-GKA Single-function showerhead and wireless speaker with Amazon Alexa, 1.75 gpm
K-28238-GKE Single-function showerhead and wireless speaker, 1.75 gpm
K-28238-NKA Single-function showerhead and wireless speaker with Amazon Alexa, 2.5 gpm
K-28238-NKE Single-function showerhead with wireless speaker, 2.5 gpm
K-R28238-GKE Showerhead and wireless speaker
K-99514-LG 24" bathroom vanity cabinet



Codes/Standards

UL 962
CSA C22.2 No. 0
CA Title 24 JA8

KOHLER® One-Year Limited Warranty

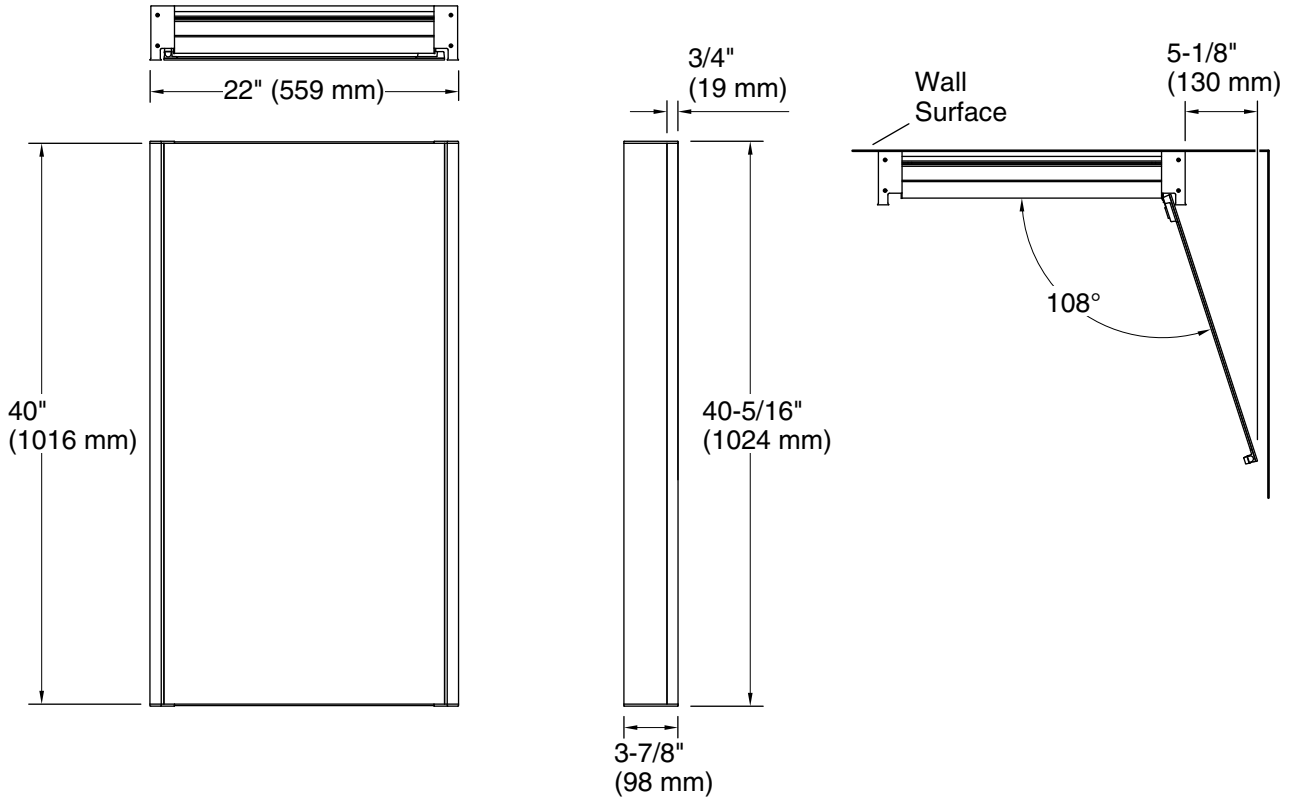
See website for detailed warranty information.

Available Colors/Finishes

Color tiles intended for reference only.

Color Code Description

	DA1	Dark Anodized Aluminum
---	-----	------------------------



Required Electrical Service

One circuit required, protected with Class A Ground-Fault Circuit-Interrupter (GFCI). Outside North America, this device may be known as a Residual Current Device (RCD).

Lights: 120 V, 5 A, 60 Hz

Technical Information

All product dimensions are nominal.

Lighting included: Yes

Electrical component rating: LED: 120 V, 5 A, 60 Hz 1200 Lumens, 3000K

Notes

Install this product according to the installation instructions.