



PeerlessBoilers.com

Peerless® PUREFIRE®

PF-50, PF-80, PF-110 & PF-140

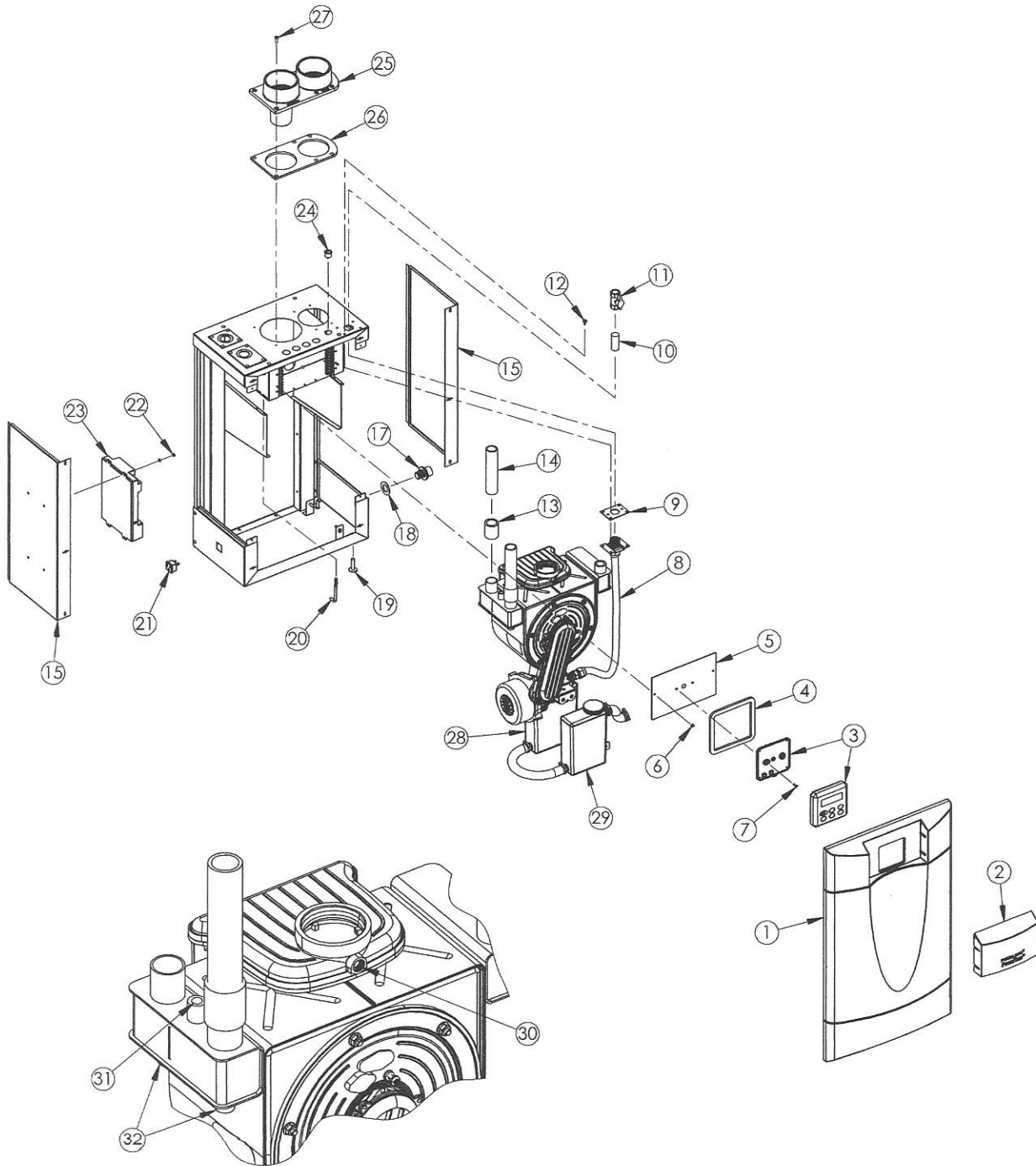
All repair parts orders - no minimum charges.

Please order with code number.

All prices quoted are in U.S. dollars.

All prices subject to change without notice.

All prices F.O.B. Bally, PA



PF-50, PF-80, PF-110 & PF-140



Peerless® PUREFIRE®

PF-50, PF-80, PF-110 & PF-140

All repair parts orders - no minimum charges.

Please order with code number.

All prices quoted are in U.S. dollars.

All prices subject to change without notice.

All prices F.O.B. Bally, PA

PF-50, PF-80, PF-110 & PF-140

	Description	Quantity Required	Stock Code
1	Front Door Panel with Ball Studs	1	54168
2	Control Lens	1	54167
3	Display Module Revision 2, 852RC 4 Wire, PF 50-399	1	54513
4	Display Bracket Gasket	1	54153
5	Bracket for Display Module	1	PF2007-1
6	Hex Nut, #6-32 with Lockwasher, (Local Hdwr Supply)	2	51553
7	Screw, #6-32 x 1/2" LG Phillips Head, (Local Hdwr Supply)	2	5449
8	Flexible Gas Line – 1/2" (includes gasket and hardware)	1	54203
9	Gasket for Gas Line (Obsolete)	–	–
10	Nipple, 1/2 " NPT x Close, (Local Hdwr Supply)	1	99211
11	Manual Shut-off Valve, 1/2" NPT, (Local Hdwr Supply)	1	54130
12	Screw, #10 x 1/2" Long Hex. Hd., (Local Hdwr Supply)	2	99992
13	Coupling, 1" NPT Brass (Local Hdwr Supply)	2	5534
14	Nipple, 1" NPT x 6" Long Brass, (Local Hdwr Supply)	2	5869
15	Jacket Side Panels – PF-50, PF-80	1	54173
	Jacket Side Panels – PF-110, PF-140	1	54192
17	Bulk Head Fitting for Condensate Connection	1	54140
18	Gasket for Bulk Head Fitting	1	54134
19	Leg Leveler	4	5429
20	Hook Bolt	2	5451
21	Convenience Outlet, (Local Hdwr Supply)	1	54136
22	Hex. Nut, #8-32 with Lockwasher, (Local Hdwr Supply)	4	51573
23	Control Module, 852MN – PF-50 Revision 1 & 2, For R1	1	54282
	Control Module, 852MN – PF-80 Revision 1 & 2, For R1	1	54283
	Control Module, 852MN – PF-110 Revision 1 & 2	1	54284
	Control Module, 852MN – PF-140 Revision 1 & 2	1	54285
24	Switch, Round Toggle, 120 VAC, (Local Hdwr Supply)	1	6050
25	Vent / Air Inlet Adapter, 3"	1	54135
26	Gasket, Vent Adapter, 3"	1	54133
27	Screw, #10 x 5/8" Long Phil. Pan Head Type A Zinc, (Local Hdwr Supply)	6	5507
28	Condensate Receiver Kit, w/ hardware & tubing	1	54205
29	Condensate Neutralizer Kit, w/ hardware & tubing	1	54204
30	Flue Sensor, 12kOhm Tasseron TSDZ0B1	1	54111
31	Hi Limit Switch Tasseron TSDS950	1	54419
32	Supply/Return Sensor, 12kOhm Tasseron TSD00BS	2	54418
N/S	Wiring Harness, Power (Right (10) Terminal Block)	1	PF7002
N/S	Wiring Harness, Control (Left (10) Terminal Block)	1	PF7003
N/S	Wiring Harness, Blower	1	PF7005
N/S	Wiring Harness, Ground Wire	1	PF7009
N/S	Push-on Terminal Block (for Field Wiring Connections)	2	5450
N/S	Ignition Cable	1	54298
N/S	Relief Valve, (Local Hdwr Supply)	1	50664
N/S	Kit Supply Sensor/Switch, 12kOhm Tasseron, (units Prior to 10/2010)	1	54299
N/S	Harness PF50/140 Split Sensor / Limit Adapter, PF-50 - 140	1	54420
N/S	Harness PF50/140 Split Sensor / Limit Adapter & Temp. Limit Sw. PF-200 - 399	1	54421
N/S	Outdoor Sensor, 12kOhm, Optional Tasseron TSA00B4	1	54112
N/S	DHW Sensor, Optional (PP Partner) 12kOhm Tasseron TSK1 0BH	1	54157
N/S	DHW Sensor, Optional (PT Partner) 12kOhm Tasseron TSK10B7	1	54478
N/S	DHW Sensor, Optional (Amtrol) 12kOhm Tasseron TSK10B7	1	54158
N/S	System Sensor. 12kOhm Tasseron TSA00BC	1	54156



Peerless® PUREFIRE®

PF-50, PF-80, PF-110 & PF-140

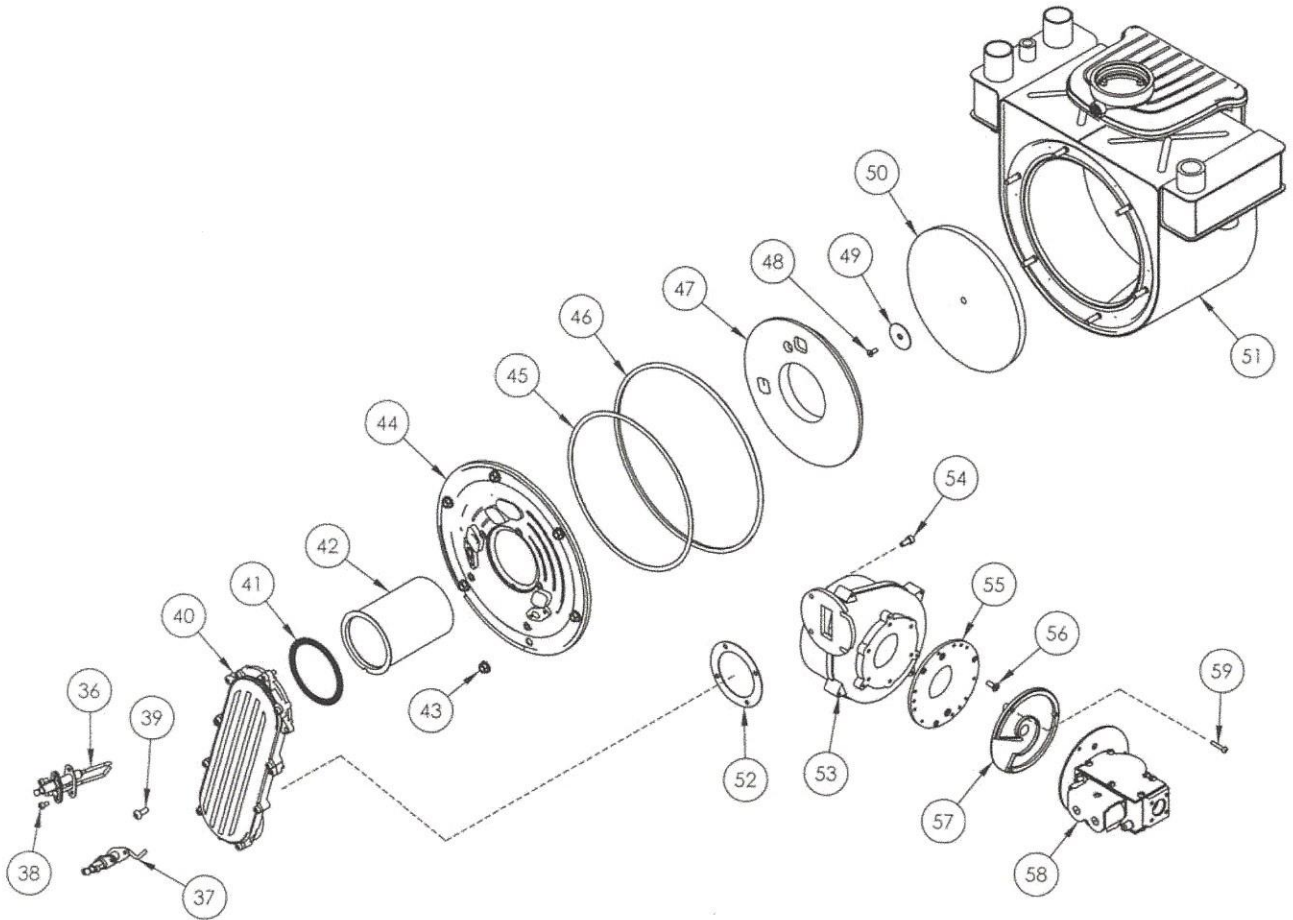
All repair parts orders - no minimum charges.

Please order with code number.

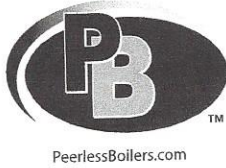
All prices quoted are in U.S. dollars.

All prices subject to change without notice.

All prices F.O.B. Bally, PA



PF-50, PF-80, PF-110 & PF-140



Peerless® PUREFIRE®

PF-50, PF-80, PF-110 & PF-140

All repair parts orders - no minimum charges.

Please order with code number.

All prices quoted are in U.S. dollars.

All prices subject to change without notice.

All prices F.O.B. Bally, PA

	Description	Quantity Required	Stock Code
30 - 35	Not used	-	-
36	Kit Igniter & Cable w/ Hardware, PF50/80/110/140	1	54246
37	Flame Sensor, with Gasket, Rauschert	1	54247
38	Screw, M4 X 8mm, (Local Hdwr Supply)	4	-
39	Screw, M5.5 x 14mm, (Local Hdwr Supply)	5	-
40	Channel, Air Inlet	1	54182
41	Gasket, Channel to Burner	1	54186
42	Burner - PF-50	1	54174
	Burner - PF-80	1	54175
	Burner - PF-110	1	54176
	Burner - PF-140	1	54177
43	Nut, M6, 10MM Hex, (Local Hdwr Supply)	6	-
44	Combustion Chamber Cover Plate, includes items #45-#47, obs	1	54183
45	Gasket, Glass Rope	1	-
46	Gasket, Rubber	1	54187
47	Insulation, Combustion Chamber Cover Plate, Includes 48 & 49	1	54255
48	M4 X 8 MM SS Screw Target Wall, (Local Hdwr Supply)	1	-
49	Washer, M4, (Local Hdwr Supply)	1	-
50	Insulation, Target Wall	1	54185
51	Heat Exchanger - PF-50	1	5410
	Heat Exchanger - PF-80	1	5411
	Heat Exchanger - PF-110	1	5412
	Heat Exchanger - PF-140	1	5413
52	Gasket, Blower to Channel	1	54122
53	Blower - PF-50, PF-80	1	54189
	Blower - PF-1 10	1	54190
	Blower - PF-140	1	54191
54	M5-0.80 X 12MM Screw, (Local Hardware Supply)	4	-
55	Blower Adapter Plate	1	5421
56	M4 x 10mm Screw, (Local Hew Supply)	3	-
57	Swirl Plate - PF-50, Blue	1	54144
	Swirl Plate - PF-80, Black	1	54143
	Swirl Plate - PF-1 10, White	1	54145
	Swirl Plate - PF-140, Red	1	54146
58	Gas Valve - PF-50, w/ Mtg. Flange, Swirl Plate & Screws	1	54178
	Gas Valve - PF-80, w/ Mtg. Flange, Swirl Plate & Screws	1	54179
	Gas Valve - PF-1 10, w/ Mtg. Flange, Swirl Plate & Screws	1	54180
	Gas Valve - PF-140, w/ Mtg. Flange, Swirl Plate & Screws	1	54181
58a	Rectifier Cap Screw, M4 x 30mm, (Local Hew Supply)	1	-
59	Screw, M4 x 10mm, (Local Hew Supply)	4	5422
Vent Termination Kits		1	54196
N/S	3" Vent Per Stainless Steel Screen	1	54151
N/S	PVC 3" P400-030 Tee	1	54152
N/S	PVC 3" P100-030 Coupling		
Poly-Propylene Venting			
N/S	80/125mm White Concentric Sidewall Vent kit - Includes Concentric Vent Termination, Outer Wall Bracket, Inner Wall Bracket with Securing Tab and Screws	-	54396
N/S	100/150mm White Concentric Sidewall Vent kit - Includes Concentric Vent Termination, Outer Wall Bracket, Inner Wall Bracket with Securing Tab and Screws	-	54499
N/S	3", 80/125mm White, Black Concentric Vertical Termination	-	54500
N/S	4", 100/150mm White, Black Concentric Vertical Termination	-	54501
N/S	3", 80/1 00 White Concentric 90 Degree Elbow with Locking Band	-	54085
N/S	4", 100/150 White Concentric 90 Degree Elbow with Locking Band	-	54435
Miscellaneous		3	54276
N/S	Large Clamp Hose	3	54139
N/S	Small Clamp Hose	1	54121
N/S	Condensate Neutralizer	1	54136
N/S	Convenience Outlet, (Local Hdwr Supply)	1	54183
N/S	Burner Mounting Plate Kit PUREFIRE, Incl. 36,37,38,39,43,44	1	54137
N/S	Switch Condensate Float w/ Cap Switch	1	54120
N/S	Condensate Collector	1	5636
N/S	Wall Mounting Kit, (inch PF-50 PF-140)	1	54194
N/S	Fuel Conversion Kit		