

K-3294

Hardwood cutting board, for Undertone®, Cadence®, Iron/Tones®, and Toccata® kitchen sinks

Features

- Fits over the K-3206 Ballad kitchen sink, K-6584 and K-6585 Iron/Tones kitchen sinks, K-3346 Toccata kitchen sink, and K-3168, K-3171, K-3174, K-3177, K-3330, K-3331, K-3332, K-3350, K-3351, K-3352, and K-3353 Undertone kitchen sinks
- Rim channel collects liquids for easy cleanup
- Provides a workstation for quick and easy prep work



Available Colors/Finishes

Color tiles intended for reference only.

^{NA} NA Not Applicable



Codes/Standards

EPA TSCA Title VI/CARB P2

Material

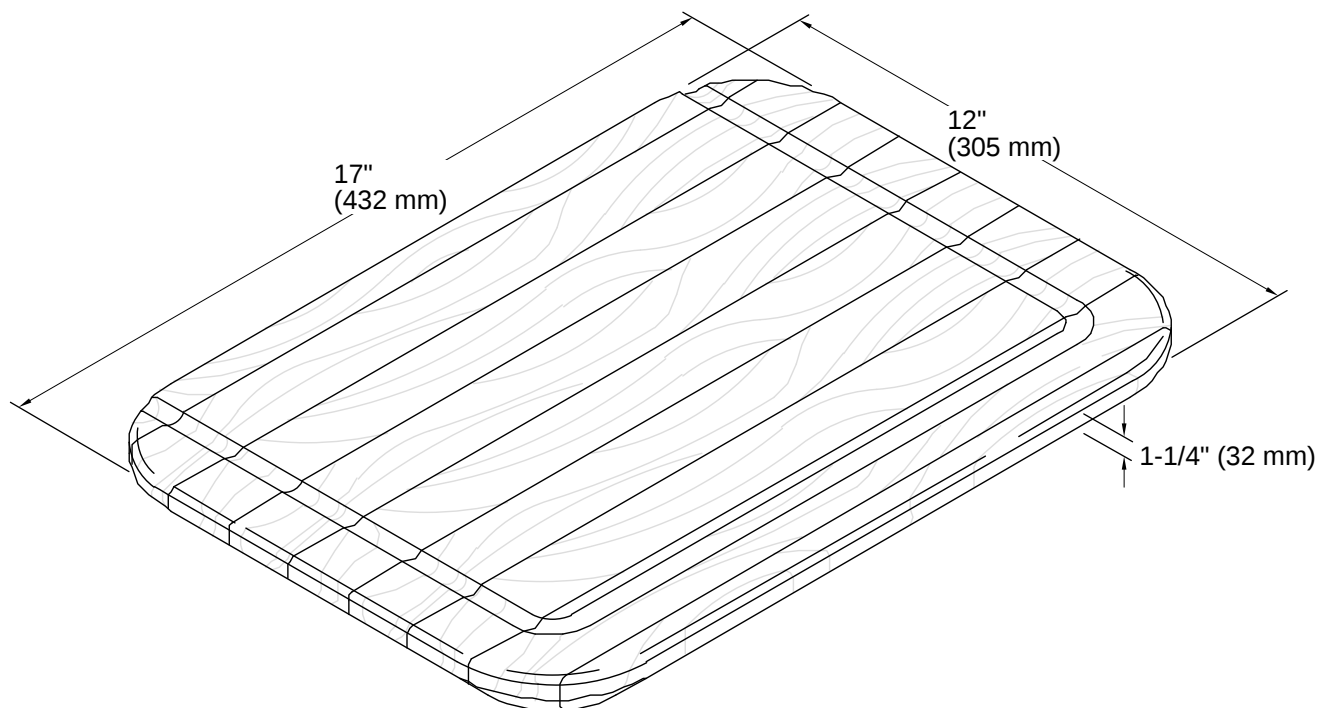
- Durable hardwood construction
-

Warranty

See website for detailed warranty information.

KOHLER® One-Year Limited Warranty





Installation Notes

Install this product according to the installation instructions.

