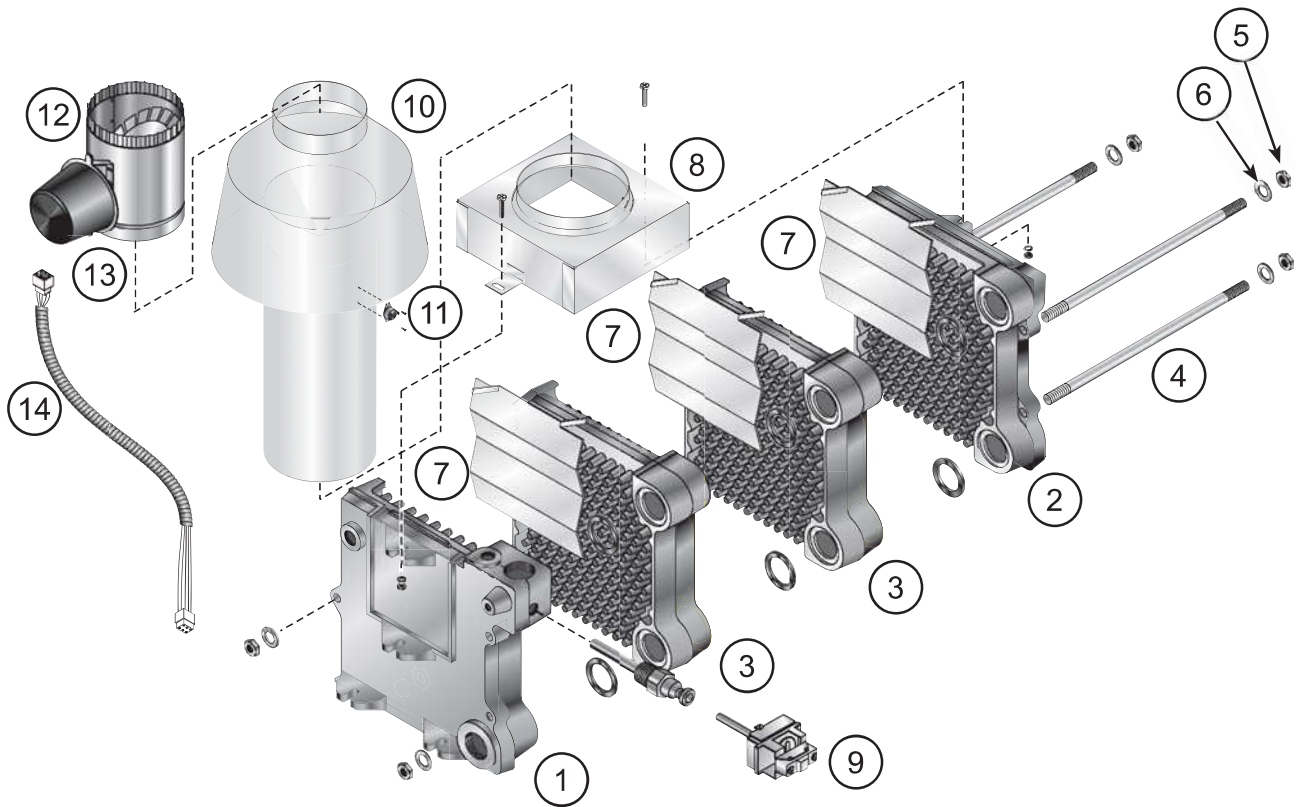


## CGa Section Assembly and Parts Series 1-2



GAS

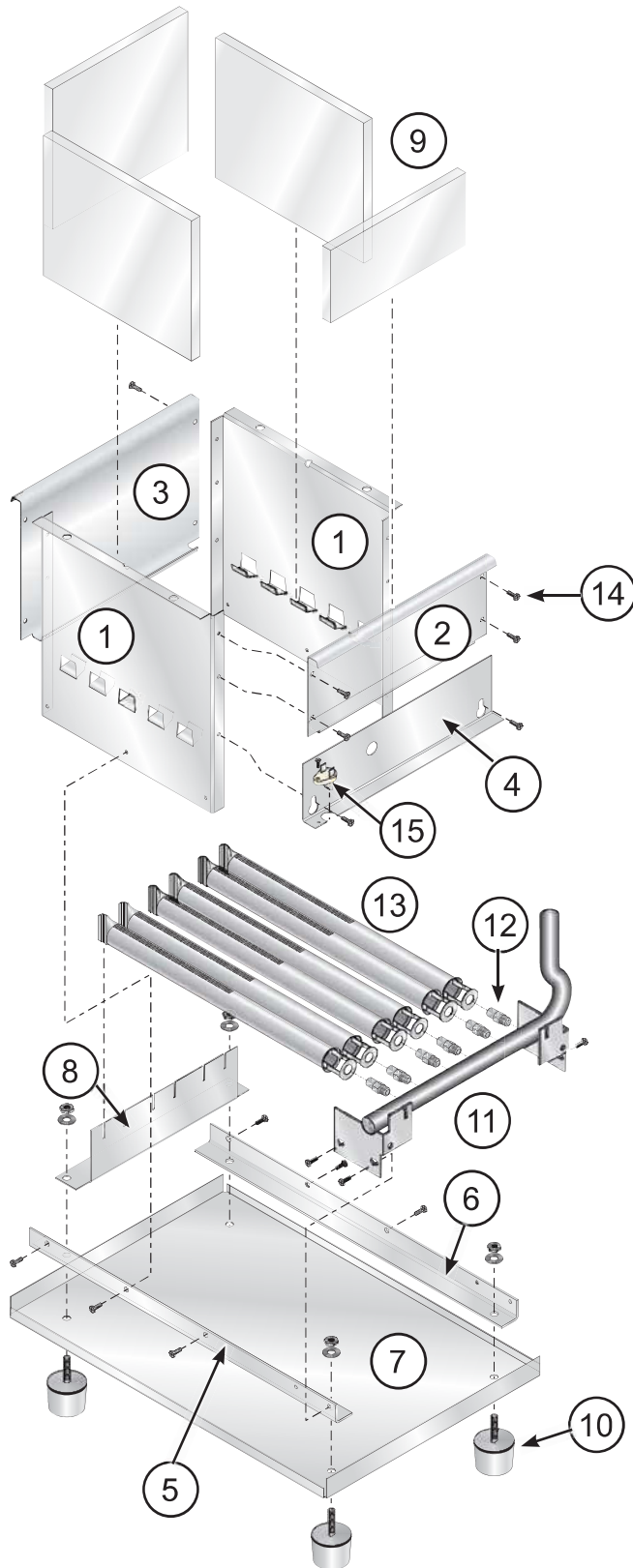
Fig. No.	Part No.	Description	Mfr.	Mfr.'s Part No.	Boiler Size
1	311-103-850	End Section, Left Hand, Cast #51124	Weil-McLain		All
2	311-103-821	End Section, Right Hand, Cast #51128	Weil-McLain		All
3	311-103-818	Intermediate Section, Cast #51125	Weil-McLain		All
N/S	321-114-286	Replacement Section Assembly - (Series 1 <b>ONLY</b> ) With Well	Weil-McLain		25, 3
	321-114-287				4
	321-114-288				5
	321-114-289				6
	321-114-290				7
	321-114-291				8
	321-114-345	Replacement Section Assembly - (Series 2 <b>ONLY</b> ) Without Well	Weil-McLain		25, 3
	321-114-346				4
	321-114-347				5
	321-114-348				6
	321-114-349				7
	321-114-350		8		
	381-354-527	Section Replacement Kit (Includes: Seals and Sealant for (1) Joint)	Weil-McLain		All

## CGa Section Parts Series 1-2 Continued

Fig. No.	Part No.	Description	Mfr.	Mfr.'s Part No.	Boiler Size
4	560-234-500	Tie Rod, 7/16" x 9" Without Nut (3 Required for Boiler)	Weil-McLain		25, 3
	560-234-501	Tie Rod, 7/16" x 12" Without Nut (3 Required for Boiler)	Weil-McLain		4
	560-234-502	Tie Rod, 7/16" x 15" Without Nut (3 Required for Boiler)	Weil-McLain		5
	560-234-503	Tie Rod, 7/16" x 18" Without Nut (3 Required for Boiler)	Weil-McLain		6
	560-234-504	Tie Rod, 7/16" x 21" Without Nut (3 Required for Boiler)	Weil-McLain		7
	560-234-505	Tie Rod, 7/16" x 24" Without Nut (3 Required for Boiler)	Weil-McLain		8
5	561-928-235	Nut, 7/16" (2 Per Tie Rod)	Weil-McLain		All
6	562-248-684	Washer, lock 7/16" (1 Per Joint)	Weil-McLain		All
7	460-003-700	Radiation Plate (1 Per Joint)	Weil-McLain		All
8	381-354-625	Collector Hood	Weil-McLain		25
	381-354-626				3
	381-354-627				4
	381-354-628				5
	381-354-629				6
	381-354-630				7
	381-354-631				8
9	510-312-250	High Limit, 140-220°F With 30° Differential and ½" N.P.T. Well, (Series 1 <b>ONLY</b> )	Honeywell	L4090D-1036	All
			White-Rogers	11B81-3	
	381-356-577	Boiler Temperature Sensor - (Series 2 <b>ONLY</b> )	Tasseron	TSL055D	All
10	450-021-240	Draft Hood 4" - Top And Bottom Openings	Weil-McLain		25
	450-021-241	Draft Hood 4" - Top, 5" Bottom Opening			3
	450-021-242	Draft Hood 5" - Top, 6" Bottom Opening			4
	450-021-243	Draft Hood 6" - Top, 7" Bottom Opening			5
	450-021-244	Draft Hood 6" - Top, 7" Bottom Opening			6
	450-021-245	Draft Hood 7" - Top, 8" Bottom Opening			7
	450-021-246	Draft Hood 7" - Top, 8" Bottom Opening			8
11	510-300-013	Spill Switch 210°, Manual Reset	Elmwood Sensors	2455RM-8174-0201	25
	510-300-014	Spill Switch 240°, Manual Reset	Elmwood Sensors	2455RM-8050-0181	3-8
12	381-800-474	Vent Damper 4"	Effikal	RVGP-KS-48KF	25, 3
	381-800-475	Vent Damper 5"	Effikal	RVGP-KS-58KF	4
	381-800-476	Vent Damper 6"	Effikal	RVGP-KS-68KF	5, 6
	381-800-477	Vent Damper 7"	Effikal	RVGP-KS-78KF	7, 8
13	510-512-337	Vent Damper Actuator	Effikal	RVGP	All
14	591-391-795	Vent Damper Harness	Weil-McLain		All

**GAS**

# CGa Base Assembly Series 1-2



GAS

## CGa Base Assembly Parts Series 1-2

Fig. No.	Part No.	Description	Mfr.	Mfr.'s Part No.	Boiler Size
1	460-003-710	Base Side Panel (2 Required)	Weil-McLain		All
2	460-003-777	Base Front Cross-Tie	Weil-McLain		25-3
	460-003-778				4
	460-003-779				5
	460-003-780				6
	460-003-781				7
	460-003-782				8
3	460-003-701	Base Back Cross-Tie	Weil-McLain		25-3
	460-003-702				4
	460-003-703				5
	460-003-704				6
	460-003-705				7
	460-003-706				8
4	460-003-741	Access Panel	Weil-McLain		25-3
	460-003-742				4
	460-003-743				5
	460-003-744				6
	460-003-745				7
	460-003-746				8
5	450-030-475	Base Pan Side Angle, Left Side	Weil-McLain		All
6	450-030-474	Base Pan Side Angle, Right Side	Weil-McLain		All
7	450-003-730	Base Pan	Weil-McLain		25-3
	450-003-731				4
	450-003-732				5
	450-003-733				6
	450-003-734				7
	450-003-735				8
8	450-003-742	Burner Rest	Weil-McLain		25
	450-003-736				3
	450-003-737				4
	450-003-738				5
	450-003-739				6
	450-003-740				7
	450-003-741				8
9	381-354-518	Base Insulation Kit	Weil-McLain		25-5
	381-354-519		Weil-McLain		6-8
10	590-424-252	Boiler Leg (3"), 1 Leg, 4 Required	Weil-McLain		All

**GAS**

## CGa Base Assembly Parts Series 1-2 Continued

Fig. No.	Part No.	Description	Mfr.	Mfr.'s Part No.	Boiler Size
11	591-126-615	Burner Manifold	Weil-McLain		25
	591-126-616				3
	591-126-617				4
	591-126-618				5
	591-126-619				6
	591-126-556				7
	591-126-557				8
12	560-528-997	Main Burner Orifice – Natural Gas 2.0mm	Weil-McLain		All
	560-528-998	Main Burner Orifice – Propane Gas 1.3mm	Weil-McLain		All
13	512-200-077	Main Burner - Stainless Steel	Weil-McLain		All
N/S	512-200-079	Main Burner - Stainless Steel With Pilot Bracket (Standing Pilot) - (Available With Pilot Burner Kit)	Weil-McLain		All
	512-200-078	Main Burner With Pilot Bracket (Spark Ignition Pilot) (Available With Pilot Burner Kit), Standing Pilot, LP	Weil-McLain		All
14	Available Locally	Screw, 10-32 x 3/8" STP Type D HEX, Washer Heat Slotted, Zinc Plated	Weil-McLain		
15	512-050-230	Rollout Thermal Fuse Element, 228°C	Thermodisc	G4M0604121C	All
N/S	381-354-355	Base Replacement Carton - (Includes, Base Panels - Items 1, 2, 3, 4, 5, 6, and 7, Insulation, Air Box Gaskets, and Hardware)	Weil-McLain		25
	381-354-356				3
	381-354-357				4
	381-354-358				5
	381-354-359				6
	381-354-360				7
	381-354-361				8

GAS

## CGa Water Trim Series 1-2

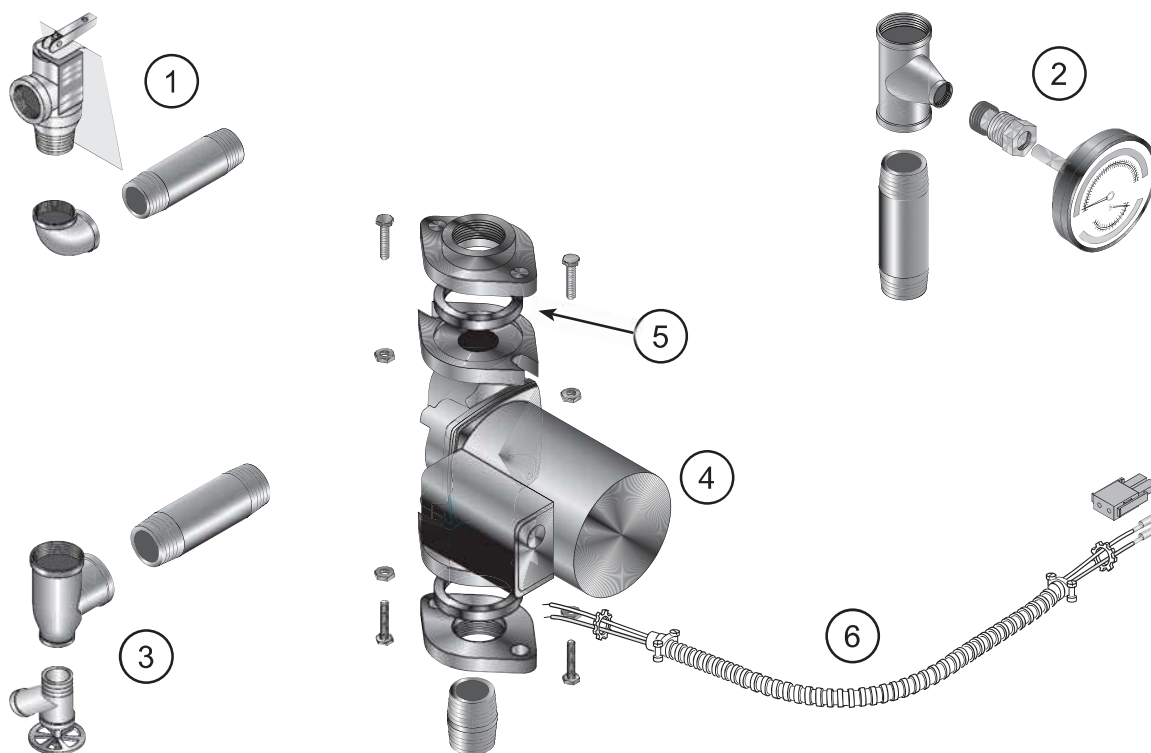
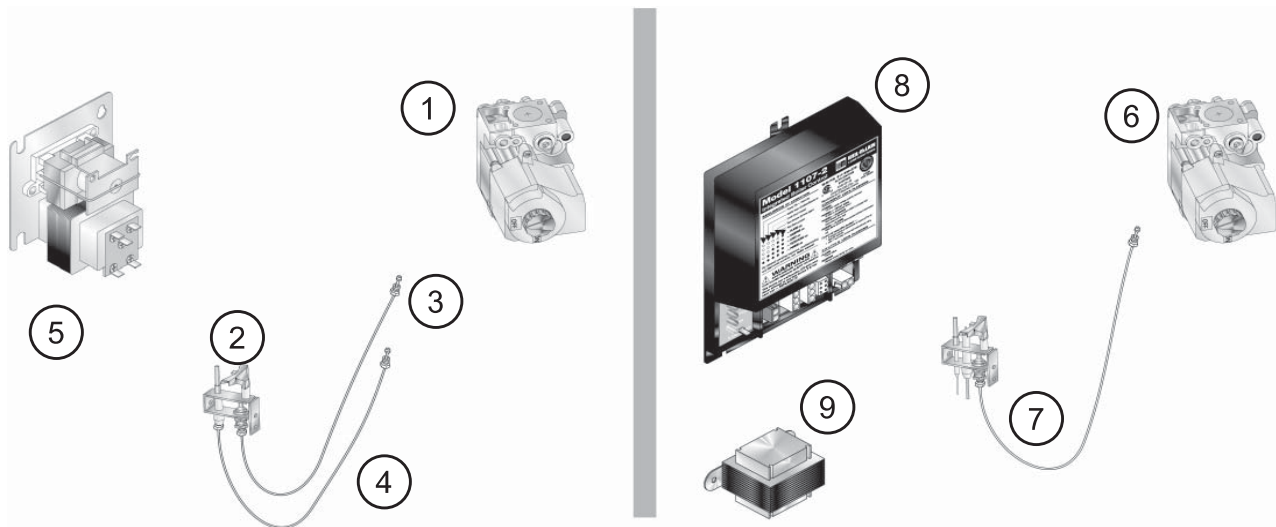


Fig. No.	Part No.	Description	Mfr.	Mfr.'s Part No.	Boiler Size
1	383-500-095	Pressure Relief Valve, ASME, 30 PSIG, 3/4" Male Inlet (Fittings Shown are Factory Installed on Boiler)	Conbraco	10-407-10	All
			Watts	M330	
2	380-000-000	Combination Pressure-Temperature Gauge Kit, 60°-360°F 0-75 PSI, 3 1/8" Dia., 1/4" N.P.T., Short Shank With 1/4" x 1/2" Reducing Bushing	Wei-McLain		All
3	511-210-423	Drain Valve 3/4" N.P.T	Conbraco	31-606-01-3/4"	All
4	511-405-113	Circulator (Fittings Shown are Factory Installed on Boiler)	Taco	007	All
5	590-317-535	Circulator Gasket, Universal (2 Per Boiler)	Wei-McLain		All
N/S	381-354-530	Circulator Hardware Kit (Includes: (1) Flange, (1) Gasket, (2) Nuts, (2) Screws) 3/4" N.P.T.	Wei-McLain		25
	381-354-525	Circulator Hardware Kit (Includes: (1) Flange, (1) Gasket, (2) Nuts, (2) Screws) 1" N.P.T.	Wei-McLain		3, 4, 5
	381-354-526	Circulator Hardware Kit (Includes: (1) Flange, (1) Gasket, (2) Nuts, (2) Screws) 1 1/4" N.P.T.	Wei-McLain		6, 7
	381-354-531	Circulator Hardware Kit (Includes: (1) Flange, (1) Gasket, (2) Nuts, (2) Screws) 1 1/2" N.P.T.	Wei-McLain		8
6	591-319-793	Circulator Wiring Harness Kit for Standing Pilot Ignition - (Series 1 <b>ONLY</b> )			All
	381-356-528	Circulator Wiring Harness Kit, For Spark Ignition (with Molex Connector) - (Series 1 <b>ONLY</b> )	Wei-McLain		All
	591-391-976	Circulator Wiring Harness - (Series 2 <b>ONLY</b> )			All
N/S	563-210-632	Mate-N-Lock Connector - (Red) - (Series 2 <b>ONLY</b> )	AMP	1-480698-2	All

GAS

## CGa Control Parts Series 1



### CGa - Series 1

Fig. No.	Part No.	Description	Mfr.	Mfr.'s Part No.	Boiler Size
<b>Standing Pilot – Natural Gas Components</b>					
1	511-044-360	Gas Valve, ½" x ½", Natural	Honeywell	VR8200A-2116	25-6
	511-044-256	Gas Valve, ¾" x ¾", Natural 1.2" Step Open	Grayson	7A0-A1B-042	
2	510-811-644	Pilot Assembly Kit With Orifice	Weil-McLain		All
3	560-742-860	Tubing, pilot, Aluminum ⅛" x 22¾"	Weil-McLain		All
4	511-724-254	Thermocouple, 30"	Honeywell	Q309A-1988	All
<b>Standing Pilot – Propane Gas Components</b>					
1	381-356-534	Gas Valve, ½" x ½", With ¾" Adapters, LP, 2.2" Step Open	Honeywell	VR8300C-4100	25-8
2	510-811-646	Pilot Assembly Kit With Orifice	Weil-McLain		All
3	560-742-860	Tubing, Pilot, Aluminum ⅛" x 22¾"	Weil-McLain		All
4	511-724-253	Thermocouple, 48"	Honeywell	Q309A-1988	All
<b>Standing Pilot Components For Natural Gas and Propane Gas</b>					
5	510-312-167	Transformer and Relay Assembly	Honeywell	R8285D-1000	All
			White-Rogers	631-9001	
N/S	510-350-223	Relay Only- Standing Pilot	White-Rogers	91-322000-11000	All
	510-312-166	Transformer Only – Standing Pilot	Hamilton	599-9001	All
	591-391-862	Standing Pilot Wiring Harness	Weil-McLain		All
<b>Pilot Gas Components For Natural and Propane – CGa 25 &amp; CGa 3 Only</b>					
N/S	510-811-648	Pilot Gas Pressure Regulator, 4.0" W.C. Outlet	Maxitrol	RV12LT-11	25, 3
			SCP	SC-50N	

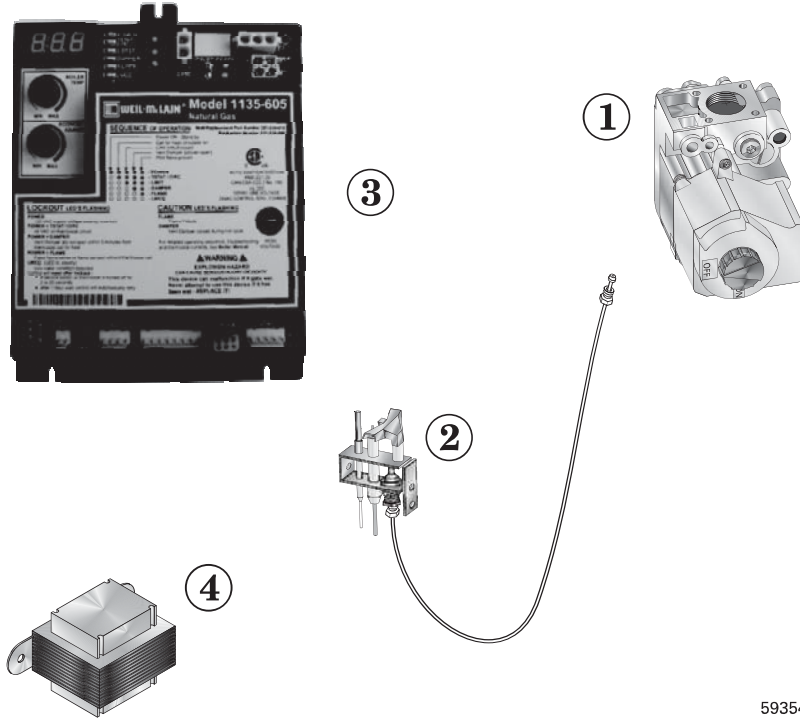
## CGa Control Parts Series 1 Continued

<b>CGa - Series 1 Continued</b>					
Fig. No.	Part No.	Description	Mfr.	Mfr.'s Part No.	Boiler Size
N/S	560-742-859	Tubing, Aluminum From Gas Valve to Regulator, 1/4" x 3" 90°	Weil-McLain		25, 3
	562-302-017	Adapter, Male 1/8" x 7/16"-24, From Regulator to Pilot Gas Line	Weil-McLain		25, 3
<b>Spark Ignition Components For Natural Gas</b>					
6	511-044-381	Gas Valve, 1/2" x 1/2"	Honeywell	VR8204A-2001	25-6
			White-Rogers	36E36-266	
			Grayson Control	7200IPER 7D1-D5B-029	
	511-044-382	Gas Valve, 3/4" x 3/4"	Honeywell	VR8304P-4348	7, 8
		White-Rogers	36C74-474		
7	511-330-218	Pilot Assembly Kit With Orifice, Aluminum Pilot Gas Tubing, And Spark Wire and Sense Wire	PSE	PSE-NA16	All
8	511-330-079	Ignition Control Module	United Technologies	1107-2	All
9	511-842-370	24 Volt Step Down Transformer, 40 VA	Honeywell	AT140B-1297	All
			Basler Electric	BE111640GDD	
N/S	591-391-900	Wire Harness, Power Supply	Weil-McLain		All
	591-391-905	Wire Harness, Spark Ignition, Controls	Weil-McLain		All
	510-811-363	Conversion Kit: Natural To Propane CGa 7-8 (Standing Pilot Only)	Weil-McLain		
	510-811-356	Conversion Kit: Propane To Natural CGa 25-6 (Standing Pilot Only)	Weil-McLain		
	510-811-357	Conversion Kit: Propane To Natural CGa 7-8 (Standing Pilot Only)	Weil-McLain		
	510-811-362	Conversion Kit: Natural To Propane CGa 25-6 (Standing Pilot Only)	Weil-McLain		

**GAS**

# CGa Control Parts Series 2

## Spark-ignited pilot controls



59354

GAS

### CGa - Series 2

Fig. No.	Part No.	Description	Mfr.	Mfr.'s Part No.	Boiler Size
<b>Spark Ignition Components For Natural Gas</b>					
1	511-044-381	Gas Valve, 1/2" x 1/2",	Honeywell	VR8204A-2001	25-6
			Grayson	7D1-D5B-029	
	511-044-382	Gas Valve, 3/4" x 3/4", 1.2" Step Open	Honeywell	VR8304P-4348	7, 8
			White Rodgers	36C74-474	
2	511-330-218	Pilot Assembly Kit - (Includes, Orifice, and Pilot Tubing)	PSE	NA16	All
3	381-330-010	Ignition Control Module - Includes Limit Control	U/T	1135-605	All
N/S	591-391-995	Wire Harness, Temperature Sensor	Weil-McLain		All
<b>Spark Ignition Components For Propane Gas</b>					
1	511-044-356	Gas Valve, 3/4" x 3/4"	Honeywell	VR8304P-4330	25-7
	511-044-366			VR8304K-4822	8
2	511-330-273	Pilot Assembly Kit - (Includes Orifice, and Pilot Tubing)	PSE	LP16	All
3	381-330-011	Ignition Control Module - Includes Limit Control	U/T	1135-606	All
N/S	591-391-000	Wire Harness, Temperature Sensor	Weil-McLain		All

## CGa Control Parts Series 2 Continued

<b>CGa - Series 2</b>					
Fig. No.	Part No.	Description	Mfr.	Mfr.'s Part No.	Boiler Size
<b>Common Components For Both Natural and Propane Gas</b>					
N/S	381-356-577	Boiler Temperature Sensor, ½" N.P.T	Tasseron	TSD01BW-R	All
4	381-356-578	Control Transformer, 24 Volt, 40 VA	Honeywell	AT140B90-43B	All
N/S	591-391-975	Wire Harness, Power, J Box To Module	Weil-McLain		All
	591-391-976	Circulator Harness	Weil-McLain		All
	591-391-994	Thermostat Harness	Weil-McLain		All
	591-391-977	Wire Harness, Controls To Module	Weil-McLain		All
	512-050-230	Rollout Fuse Element, 228° C.	Elmwood	RD226-001	All
			Micro Temp	G4AM0600229C	
	510-300-013	Spill Switch, 210° F, Manual Reset	Elmwood	8174-0201	25
510-300-014	Spill Switch, 240° F, Manual Reset	Elmwood	8050-0181	3-8	
<b>Series 2 Only - Conversion Kits</b>					
N/S	510-811-938	Natural Gas To Propane - (Includes, Gas Valve, Orifices, Burner With Pilot Bracket, Temperature Sensor Wire Harness, Pilot Assembly With Tubing, Module-1135-606, Bushing-¾" x ½" N.P.T, Hardware, Labels, and Instructions)	Weil-McLain		25-7
	510-811-939	Natural Gas To Propane - (Includes, Gas Valve, Orifices, Burner With Pilot Bracket, Temperature Sensor Wire Harness, Pilot Assembly With Tubing, Module -1135-606, Hardware, Labels, and Instructions)	Weil-McLain		8
	510-811-942	Propane To Natural Gas - (Includes, Gas Valve, Orifices, Burner With Pilot Bracket, Temperature Sensor Wire Harness, Pilot Assembly With Tubing, Module -1135-605, Hardware, Labels, and Instructions)	Weil-McLain		25-6
	510-811-943	Propane To Natural Gas - (Includes, Gas Valve, Orifices, Burner With Pilot Bracket, Temperature Sensor Wire Harness, Pilot Assembly With Tubing, Module -1135-605, Hardware, Labels, and Instructions)	Weil-McLain		7-8
<b>Series 2 Only - Control Kits</b>					
N/S	381-356-586	Outdoor Temperature Sensor Kit - (Includes Sensor, Wire Harness, and Instructions)			All
	381-356-585	Zone Interface Harness Kit - (Includes Wire Harness, Cable Clamp, and Instructions)			All
	383-500-125	Outdoor Sensor - 30/50° C, 12 Kohms			

## CGa Jacket Assembly Parts Series 1

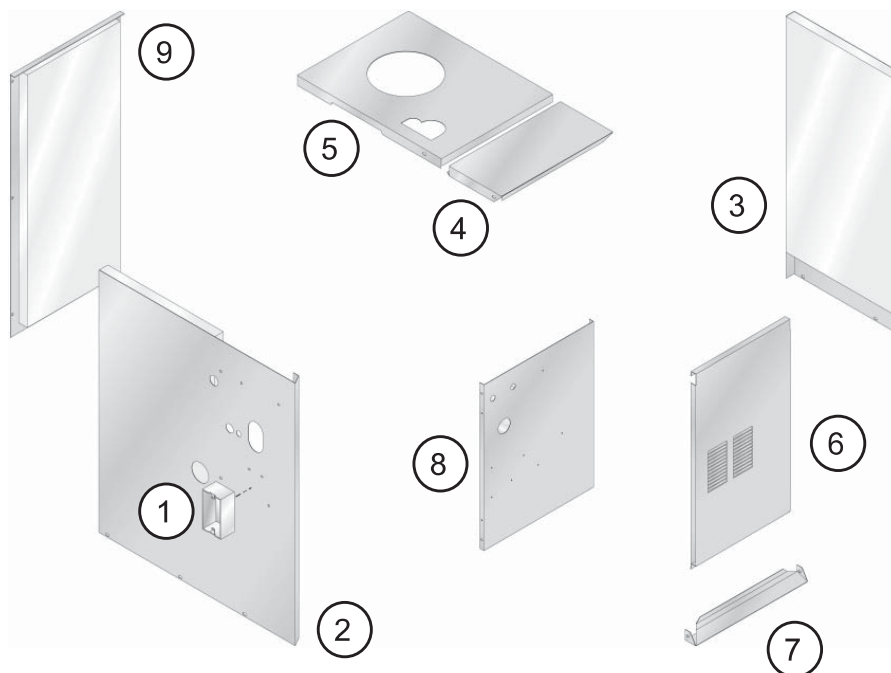
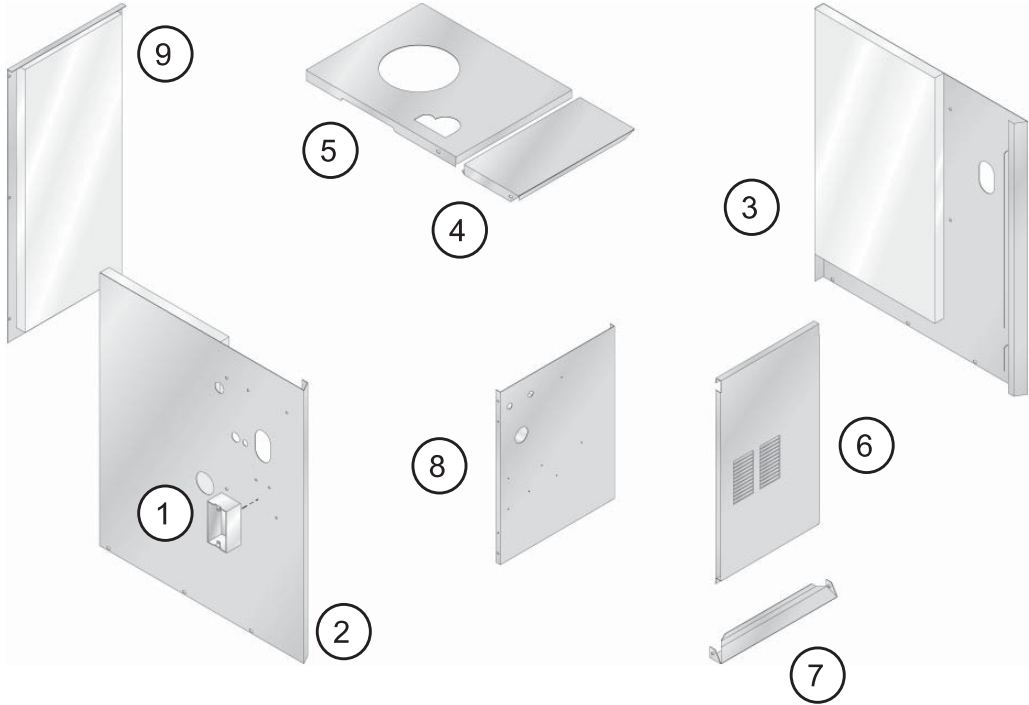


Fig. No.	Part No.	Description	Boiler Model
1	Available Locally	Junction box, 2 x 4	CGa 25-8
2	381-355-400	Panel, Left Side, With Insulation (Natural Gas Standing Pilot)	CGa-25
	381-355-407		CGa-3
	381-355-410		CGa-4
	381-355-417		CGa-5
	381-355-424		CGa-6
	381-355-431		CGa-7
	381-355-438		CGa-8
	381-355-445		CGa-25
	381-355-448	CGa-3	
	381-355-451	CGa-4	
	381-355-454	Panel, Left Side, With Insulation (Propane Gas Standing Pilot)	CGa-5
	381-355-457		CGa-6
	381-355-460		CGa-7
	381-355-463		CGa-8
	381-355-466	Panel, Left Side, With Insulation (Natural Gas Spark Ignition)	CGa-25
	381-355-470		CGa-3
	381-355-473		CGa-4
	381-355-477		CGa-5
	381-355-481		CGa-6
	381-355-485		CGa-7
381-355-489	CGa-8		

## CGa Jacket Assembly Parts Series 1 Continued

Fig. No.	Part No.	Description	Boiler Model
3	381-355-699	Panel, Right Side, With Insulation - (Natural Gas, Standing Pilot)	CGa-25
	381-355-745		CGa-3
	381-355-746		CGa-4
	381-355-793		CGa-5-CGa-8
	381-355-747	Panel, Right Side, With Insulation - (Propane Gas, Standing Pilot)	CGa-25
	381-355-748		CGa-3
	381-355-749		CGa-4
	381-355-793		CGa-5-CGa-8
	381-355-754	Panel, Right Side, With Insulation - (Natural Gas, Spark Pilot)	CGa-25
	381-355-755		CGa-3
	381-355-756		CGa-4
	381-355-793		CGa-5-CGa-8

# CGa Jacket Assembly Series 2



**GAS**

Fig. No.	Part No.	Description	Boiler Model
1	Available Locally	Junction Box, 2" x 4"	All
2	381-355-800	Panel, Left Side, With Insulation (Natural Gas - Spark Ignition)	CGa-25
	381-355-805		CGa-3
	381-355-809		CGa-4
	381-355-814		CGa-5
	381-355-818		CGa-6
	381-355-822		CGa-7
	381-355-826		CGa-8
	381-355-830	Panel, Left Side, With Insulation (Propane Gas - Spark Ignition)	CGa-25
	381-355-833		CGa-3
	381-355-836		CGa-4
	381-355-839		CGa-5
	381-355-842		CGa-6
	381-355-845		CGa-7
	381-355-848		CGa-8
3	381-355-699	Panel, Right Side, With Insulation	CGa 25-4
	381-355-793		CGa-5-CGa-8

## CGa Jacket Parts Common For Series 1-2

Fig. No.	Part No.	Description	Boiler Model
4	381-355-403	Jacket Panel, Top Front	CGa-25/3
	381-355-413		CGa-4
	381-355-420		CGa-5
	381-355-427		CGa-6
	381-355-434		CGa-7
	381-355-441		CGa-8
5	381-355-404	Panel, Top Rear	CGa-25/3
	381-355-414		CGa-4
	381-355-421		CGa-5
	381-355-428		CGa-6
	381-355-435		CGa-7
	381-355-442		CGa-8
6	381-355-406	Panel, Door	CGa-25/3
	381-355-416		CGa-4
	381-355-423		CGa-5
	381-355-430		CGa-6
	381-355-437		CGa-7
	381-355-444		CGa-8
7	431-223-325	Cross Tie, Bottom Front	CGa-25/3
	431-223-326		CGa-4
	431-223-327		CGa-5
	431-223-328		CGa-6
	431-223-329		CGa-7
	431-223-330		CGa-8
8	381-355-405	Panel, Interior, With Insulation	CGa-25/3
	381-355-415		CGa-4
	381-355-422		CGa-5
	381-355-429		CGa-6
	381-355-436		CGa-7
	381-355-443		CGa-8
9	431-223-300	Panel, Rear, With Insulation	CGa-25/3
	431-223-301		CGa-4
	431-223-302		CGa-5
	431-223-303		CGa-6
	431-223-304		CGa-7
	431-223-305		CGa-4
N/S	592-000-000	Gold Touch-Up Paint	CGa-5

GAS