



Vox® Rectangle

Above-counter Bathroom Sink
K-2660-1

Features

- Single faucet hole.
- Overflow drain with included 1105685 Polished Chrome cap.

Material

- Vitreous china.

Installation

- Drop-in or vessel.



ADA CSA B651

Codes/Standards






ASME A112.19.2/CSA B45.1
ADA
ICC/ANSI A117.1
CSA B651

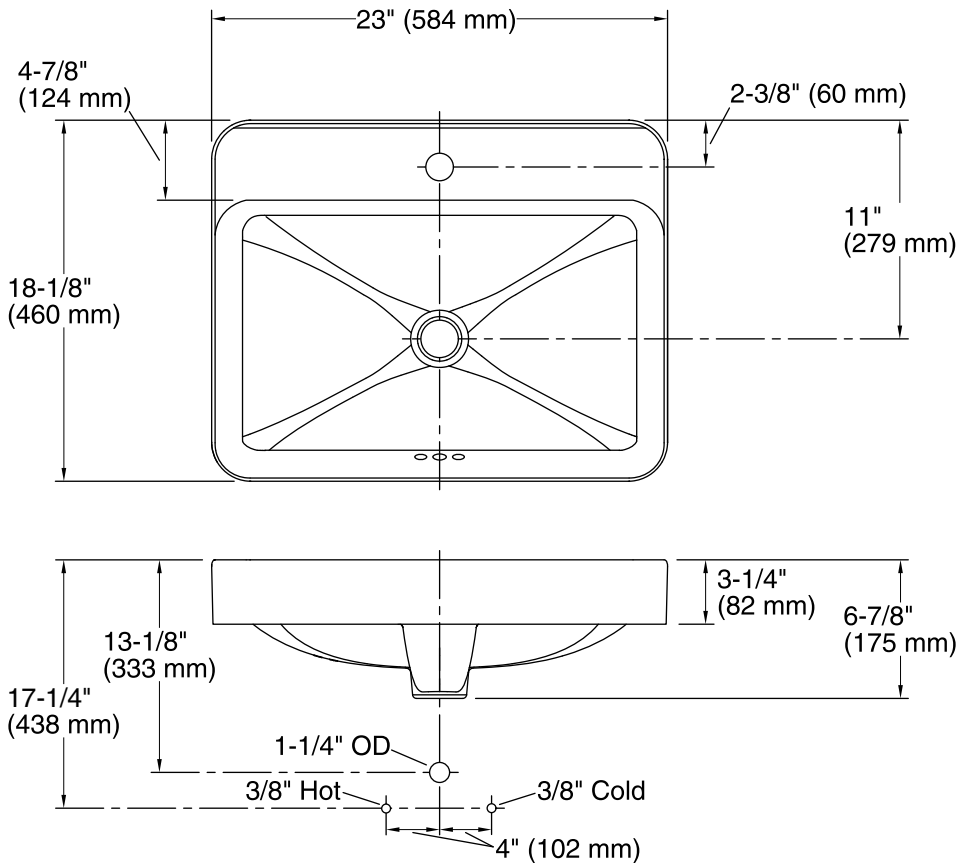
KOHLER® One-Year Limited Warranty

See website for detailed warranty information.

Available Colors/Finishes

Color tiles intended for reference only.

| Color | Code | Description |
|--|------|--------------|
|  | 0 | White |
|  | 96 | Biscuit |
|  | 47 | Almond |
|  | 95 | Ice™ Grey |
|  | 7 | Black Black™ |



Technical Information

All product dimensions are nominal.

| | |
|-----------------------|--|
| Bowl configuration: | Single |
| Installation: | Vessel |
| Bowl area (Only): | Length: 22" (559 mm) Width: 13-1/4" (337 mm) Water depth: 3-3/4" (95 mm) |
| Number of deck holes: | 1 |
| Faucet hole(s): | 1-3/8" (35 mm) |
| Drain hole: | 1-3/8" (35 mm) |
| Template: | 1144641-7, required, included |

Notes

Install this product according to the installation instructions.

Choose a faucet that will provide adequate clearance and will direct the water stream to the center of the bathroom sink.

NOTICE: Countertop manufacturer or cutter must use the cut-out template provided with the product or a current one provided by Kohler Co. (call 1-800-4KOHLER). Kohler Co. is not responsible for cut-out errors when incorrect cut-out template is used.

Product rests on countertop. Consider height when designing installation.

ADA, CSA B651 compliant when installed to the specific requirements of these regulations.