

Features

- Single bowl
- 9-1/2" (241 mm) depth provides generous workspace
- Includes one faucet hole and option for three additional holes for knockout with ball-peen hammer and punch
- Includes K-6109 bottom sink rack
- Optional K-5376 bottom sink rack (sold separately)
- Matte finish offers rich, dimensional color

Material

- KOHLER Neoroc® composite is durable and built to withstand day-to-day cleaning tasks
- Solid color throughout the sink
- Heat-resistant up to 750°F
- Scratch-, stain-, chip-, and thermal-shock-resistant

Installation

- 36" minimum base cabinet width for undermount or top-mount installation
- Cutout templates included
- Top-mount or undermount

Recommended Products/Accessories

K-5376 Sink Rack
K-6109 Sink Rack
K-8801 Sink drain and strainer with tailpiece
K-8799 Sink drain and strainer basket
K-23726 Drain treatment
K-23730 Neoroc® cleaner

Optional Products/Accessories

K-11352 Disposal Flange with Stopper
K-9000 P-Trap

Included Components

Additional Components:
K-6109



Codes/Standards



CSA B45.5/IAPMO Z124

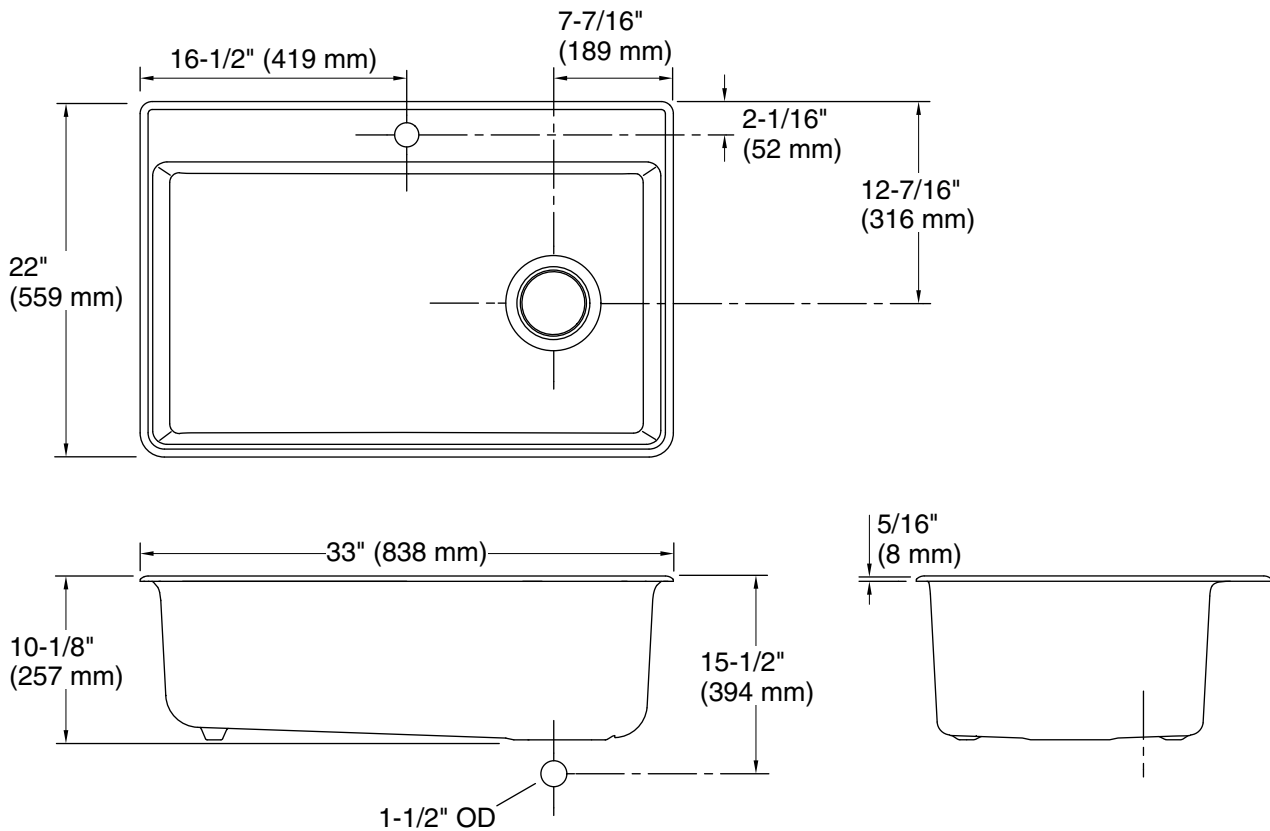
KOHLER® Neoroc® Sinks Lifetime Limited Warranty

See website for detailed warranty information.

Available Colors/Finishes

Color tiles intended for reference only.

Color	Code	Description
	CM1	Matte Black
	CM3	Matte Taupe



Technical Information

All product dimensions are nominal.

Installation: Top-mount, Undermount

Min. base cabinet width: 36" (914 mm)

Bowl area: Length: 31-1/8" (791 mm)
 Width: 16-15/16" (430 mm)
 Bowl depth: 9-1/2" (241 mm)
 Water depth: 9-1/2" (241 mm)

Drain hole: 3-7/8" (98 mm)

Template: 1281757-7, required, included

Notes

Install this product according to the installation instructions.