

Features

- Made from premium materials that withstand high-volume usage.
- 20" (508 mm) x 18" (457 mm).
- Single-hole drilling.
- Drilled for concealed arm carrier.
- With sealed overflow for commercial hospitals jobs.

Material

- Vitreous china.

Installation

- Wall-mount.

Recommended Products/Accessories

- K-8998 P-Trap
- K-23726 Drain treatment
- K-23725 Cast iron cleaner

Included Components

- Additional Components:
Hanger(s)



ADA **CSA B651** **OBC**

Codes/Standards

ASME A112.19.2/CSA B45.1
ADA
ICC/ANSI A117.1
CSA B651
OBC


KOHLER® One-Year Limited Warranty

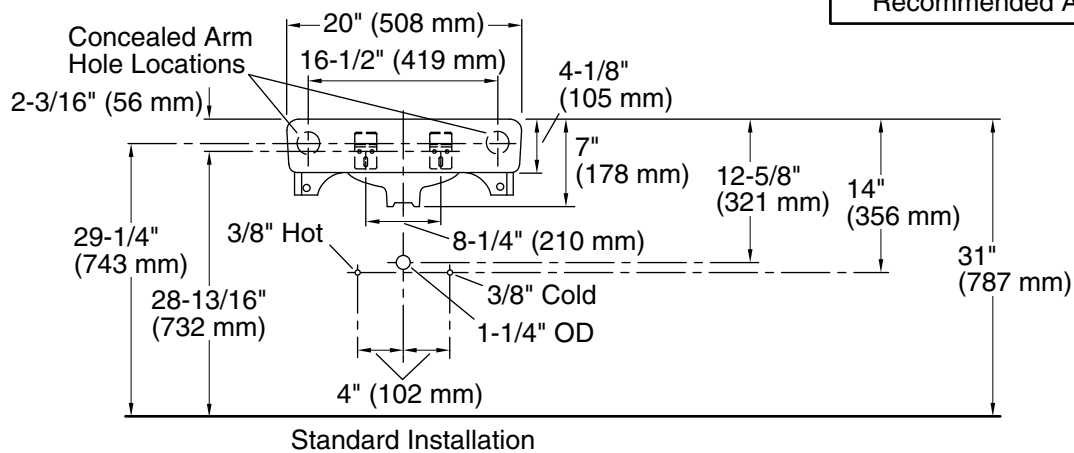
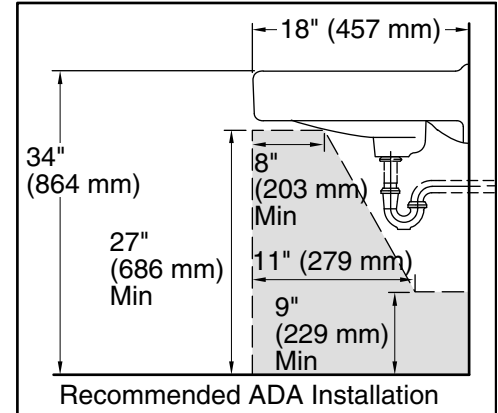
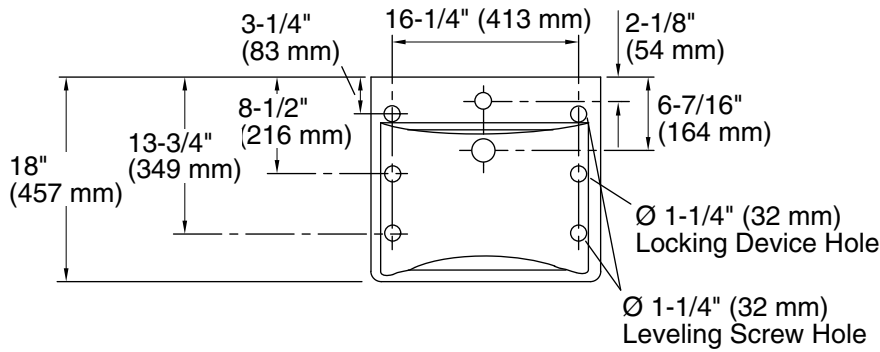
See website for detailed warranty information.

Available Colors/Finishes

Color tiles intended for reference only.

Color Code Description

	0	White
---	---	-------



Technical Information

All product dimensions are nominal.

Bowl configuration:	Single
Installation:	Wall-mount
Bowl area (Only):	Length: 18" (457 mm) Width: 13" (330 mm) Water depth: 4-7/8" (124 mm)
With overflow:	No
Number of deck holes:	1
Faucet hole(s):	1-3/8" (35 mm)
Drain hole:	1-3/4" (44 mm)

Notes

Install this product according to the installation instructions.

ADA, OBC, CSA B651 compliant when installed to the specific requirements of these regulations.