

### Features

- 36" minimum base cabinet width.
- Single bowl with side platform.
- Versatile design allows the side platform to be installed on right or left.
- Includes a dishwasher-safe utensil tray.
- Includes a versatile flip tray that works as a cutting board or large tray for food prep and cleaning.
- Includes six microwave and dishwasher-safe prep bowls to maintain an organized cooking station.
- Includes a large American walnut hardwood cutting board that provides a durable work surface that is beautiful, portable, and easy to clean.
- Includes a stainless steel accessory storage rack to maintain a clutter-free sink area when accessories are not in use.
- Includes a sink rack to help protect the sink basin from daily wear.
- Works with all standard countertop thicknesses. Pairs best with 30 mm countertop thickness if a flush surface between counter and cutting board is desired.
- 9-1/2" (241 mm) depth provides generous workspace.
- Includes installation hardware.
- Sink drain with strainer sold separately.

### Material

- Handcrafted from 16-gauge stainless steel.
- Premium 16-gauge stainless steel.

### Installation

- Undermount.

### Recommended Products/Accessories

- K-8801 Sink drain and strainer with tailpiece
- K-8799 Sink drain and strainer basket
- K-23726 Drain treatment
- K-23729 Stainless steel cleaner

### Optional Products/Accessories

- K-11352 Disposal Flange with Stopper

### Included Components

Additional Components:

- 6230
- 6231
- 6232
- 6234
- 6235
- 6236
- 91915

Cut out Template

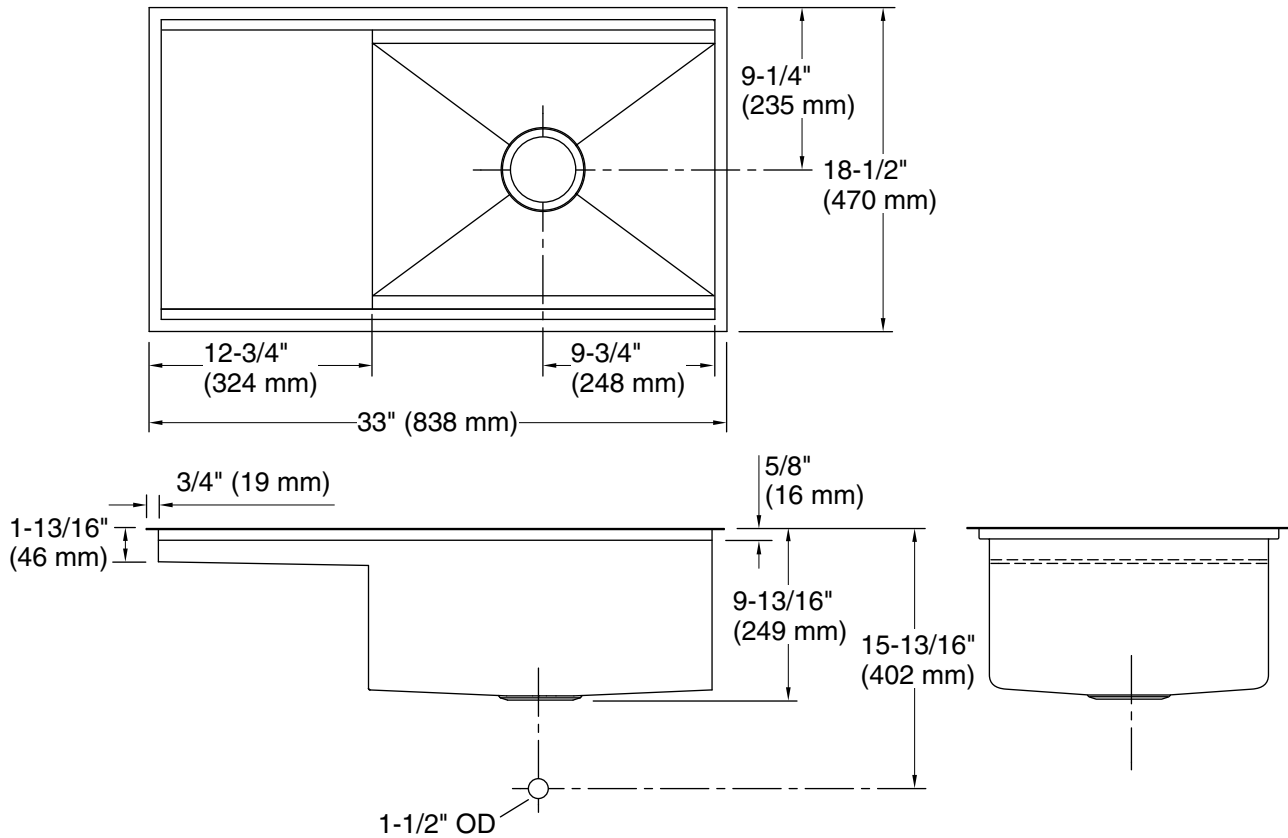


### Codes/Standards

ASME A112.19.3/CSA B45.4

### Lifetime Limited Warranty for KOHLER® Stainless Steel Sinks

See website for detailed warranty information.



### Technical Information

All product dimensions are nominal.

Bowl configuration:	Off-set Large/small
Installation:	Undermount
Min. base cabinet width:	36" (914 mm)
Bowl area:	Length: 31-1/2" (800 mm) Width: 17" (432 mm) Bowl depth: 9-1/2" (241 mm) Water depth: 9-1/2" (241 mm)
Drain hole:	3-5/8" (92 mm)
Template:	1109793-7, required, included

### Notes

Install this product according to the installation instructions.