



Cimarron®

Comfort Height® Touchless Toilet

K-6419

Features

- Vitreous China
- Round-front bowl
- Comfort Height®
- AquaPiston® flushing system
- Touchless Technology allows hands-free operation to actuate the flush
- Less seat and supply
- 1.28 (4.8 lpf)
- 2-1/8" (54 mm) glazed trapway
- 11-1/2" (292 mm) x 9-1/4" (235 mm) water area.

Installation

- 12" (305 mm) rough-in
- 27-1/4" (692 mm) x 17-5/8" (448 mm) x 30-1/2" (775 mm)

Recommended Accessories

K-4775 Toilet Seat

Components

Product includes:

K-4347

K-5693

Additional included component/s: Bowl, Tank, Tank Cover, and Touchless Flush Kit.



For complete listing of available colors, go to kohler.com.



Codes/Standards

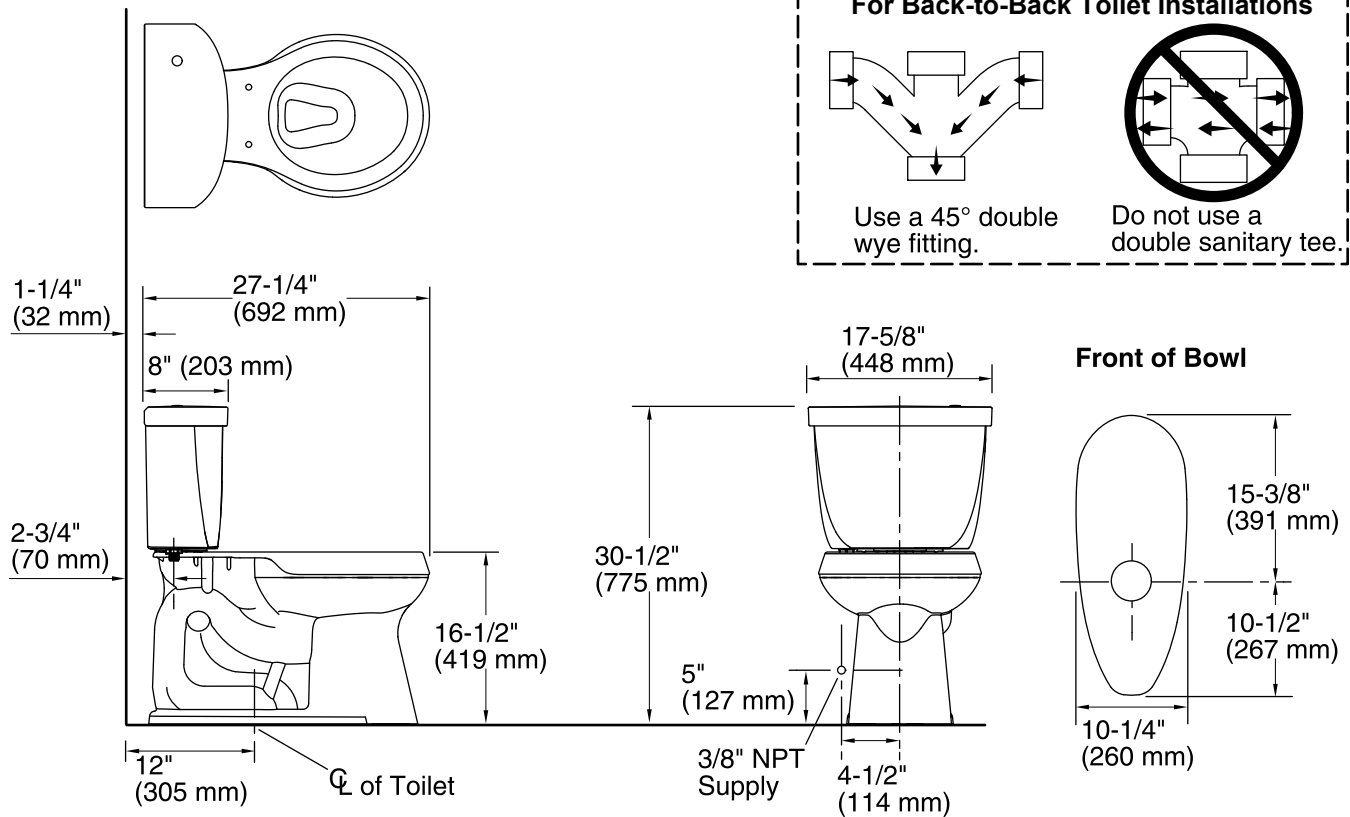
ASME A112.19.2/CSA B45.1
DOE - Energy Policy Act 1992
EPA WaterSense®

KOHLER® One-Year Limited Warranty

See website for detailed warranty information.

Product Specification

Toilet shall be 27-1/4" (692 mm) in length, 17-5/8" (448 mm) in width, and 30-1/2" (775 mm) in height. Toilet shall be made of vitreous china. Toilet shall be two-piece. Toilet shall be 1.28 gpf (4.8 lpf). Toilet shall feature touchless actuation. Toilet shall be Comfort Height®. Toilet shall be a 12" (305 mm) rough-in. Toilet shall be KOHLER Model K-6419.



Technical Information

All measurements are nominal.

Toilet style:	Two-piece
Bowl shape:	Round front
Passageway:	2-1/8" (54 mm)
Flush rate - full:	1.28 gpf (4.8 lpf)
Water area:	11-1/2" x 9-1/4" (292 mm x 235 mm)
Rim to water height:	5-1/4" (133 mm)
Seat hole centers:	5-1/2" (140 mm)

Installation Notes

Install this product according to the installation guide.

For back-to-back toilet installations: Use only a 45° double wye fitting.