

### Features

- Diverter switches water between showerhead or handshower, or both on at one time
- Easily mounts on the end of your shower arm and fits most standard handshower hoses, handshowers, and showerheads
- Includes flow restrictor that limits water flow to 2.5 gpm (gallons per minute) when one or both showering components are running

### Material

- KOHLER finishes resist corrosion and tarnishing



### Codes/Standards


ASME A112.18.1/CSA B125.1

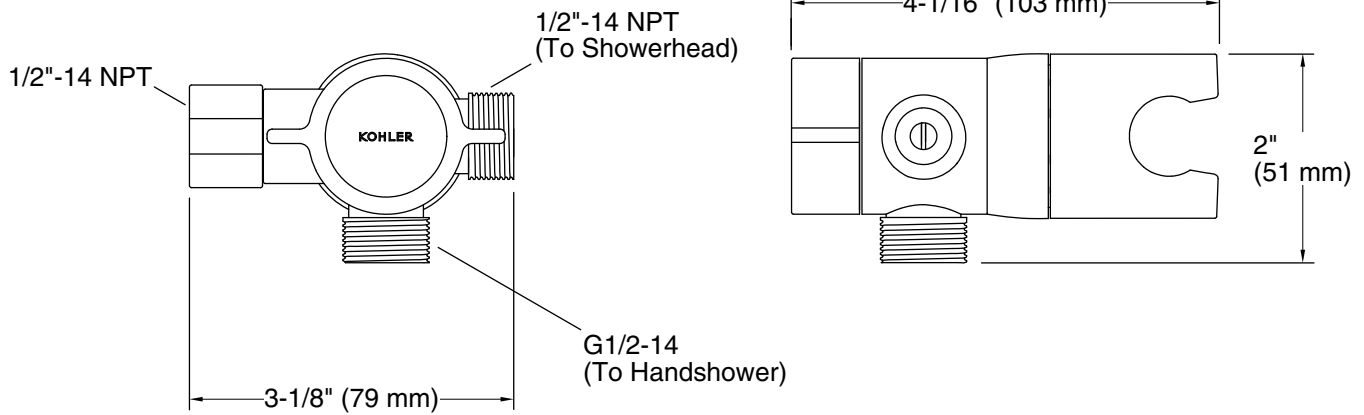
### KOHLER® Faucet Lifetime Limited Warranty

See website for detailed warranty information.

### Available Colors/Finishes

*Color tiles intended for reference only.*

Color	Code	Description
	CP	Polished Chrome
	BN	Vibrant® Brushed Nickel
	BL	Matte Black
	2MB	Vibrant® Brushed Moderne Brass



### Technical Information

All product dimensions are nominal.

#### Spout:

Shower/Rainhead rated max flow: 2.5 gal/min (9.5 l/min)

### Notes

Install this product according to the installation instructions.