

D: Parts List

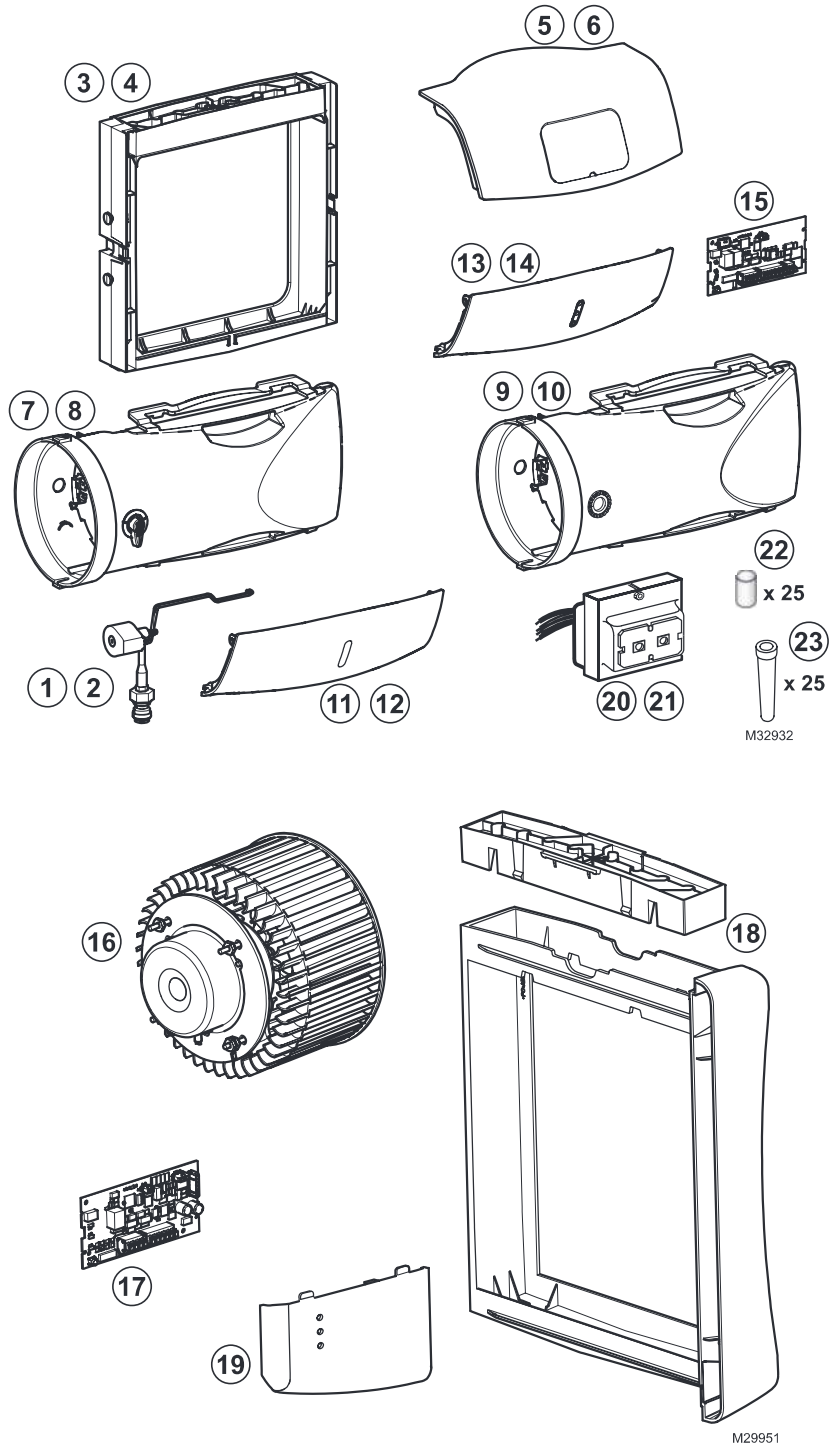


Figure Reference	Part Number	Part Description	Use With Model
N/A	HC26E1004	Large AgION coated replacement pad	HE200, HE250, HE300
N/A	HC26A1008	Large standard replacement pad	HE200, HE250, HE300
N/A	HC22E1003	Small AgION coated replacement pad	HE100, HE150
N/A	HC22A1007	Small standard replacement pad	HE100, HE150
N/A	32001616-001	Saddle valve	HE100, HE150, HE200, HE250, HE300
1	50041883-002	AC Solenoid valve	HE100, HE200
2	50041883-001	DC Solenoid valve	HE150, HE250, HE300
3	50041861-001	Frame and tray assembly for small bypass model	HE100, HE200
4	50041861-002	Frame and tray assembly for large bypass model	HE150, HE250
9	50041890-001	Small bypass duct with automatic damper	HE150
10	50041890-002	Large bypass duct with automatic damper	HE250
13	50052642-001	Bottom cover for small advanced bypass model	HE150
15	50057547-002	HE150 circuit board	HE150
	50057547-003	HE250 circuit board	HE250
16	50045729-001	Blower and motor assembly with isolator	HE300
17	50057547-001	HE300 circuit board	HE300
18	50041919-001	Frame and tray assembly for fan model	HE300
20	32001652-001	10V transformer	HE100, HE200
21	50050349-001	15V transformer	HE150, HE250
22	50032048-002	Qty 25 Residential humidifier quick connect adapter	HE100, HE150, HE200, HE250, HE300
23	32001647-001	Qty 25 Residential humidifier cone screen filter	HE100, HE150, HE200, HE250, HE300

Automation and Control Solutions

Honeywell International Inc.
1985 Douglas Drive North
Golden Valley, MN 55422

<http://yourhome.honeywell.com>



© U.S. Registered Trademark
© 2016 Honeywell International Inc.
69-2413EF—15 M.S. Rev. 01-16
Printed in U.S.A.