

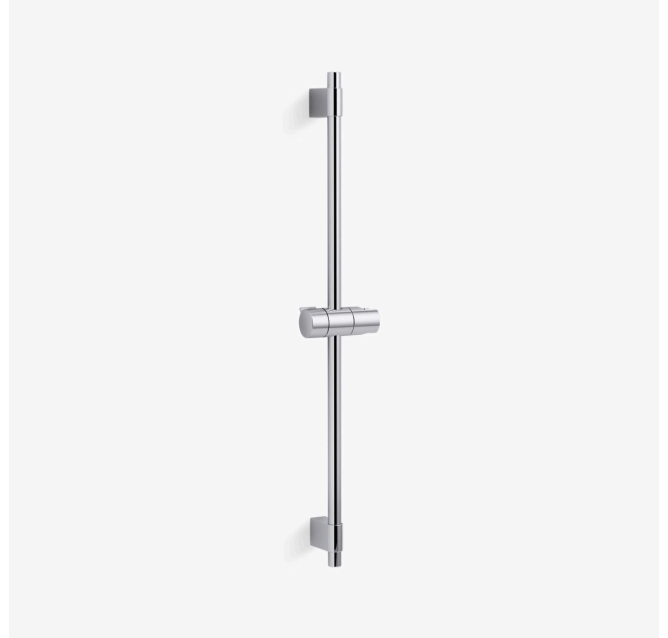


# Awaken® | K-98341

27" sidebar

## Features

- Adjustable mounting brackets offer installation flexibility
- Adjustable angle of handshower



## Available Colors/Finishes

*Color tiles intended for reference only.*

- BN Vibrant Brushed Nickel
- BL Matte Black
- 2MB Vibrant Brushed Moderne Brass



1-800-4KOHLER (1-800-456-4537)  
Kohler Co. reserves the right to make revisions without notice to product specifications.  
For the most current specification sheet, go to [www.kohler.com](http://www.kohler.com) USA or [www.kohler.ca](http://www.kohler.ca) Canada.  
4-15-2026 4:1 - US-CA

THE BOLD LOOK  
OF **KOHLER**

---

## Codes/Standards

ADA, OBC, CSA B651 compliant when installed to the specific requirements of these regulations.

ADA   CSA B651   OBC

ASME A112.18.1/CSA B125.1

ADA

ICC/ANSI A117.1

CSA B651

OBC

---

## Material

- KOHLER finishes resist corrosion and tarnishing

---

## Recommended Products/Accessories

K-23723 Faucet cleaner

---

## Warranty

See website for detailed warranty information.

KOHLER® Faucet Lifetime Limited Warranty

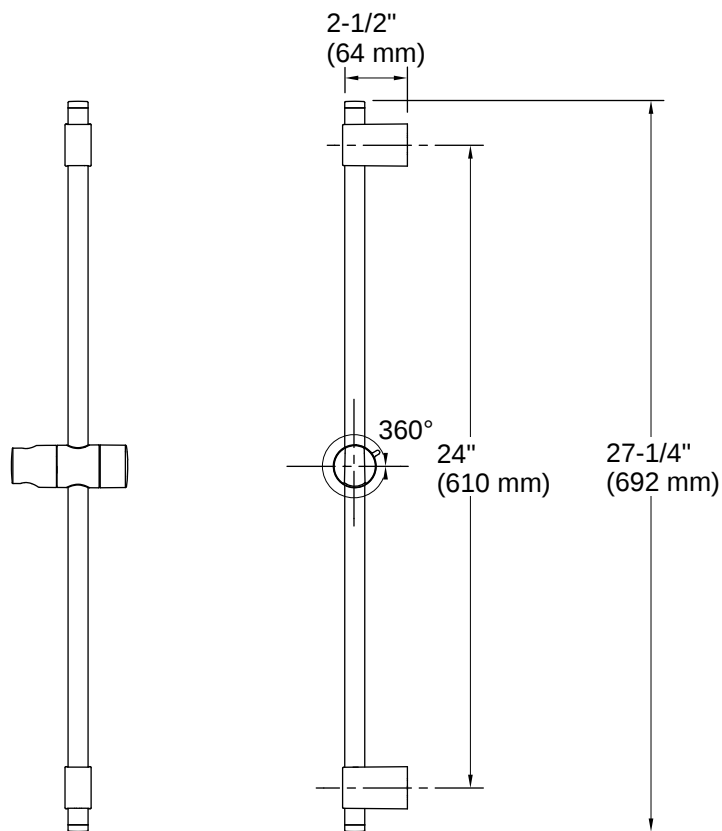


1-800-4KOHLER (1-800-456-4537)

Kohler Co. reserves the right to make revisions without notice to product specifications.

For the most current specification sheet, go to [www.kohler.com](http://www.kohler.com) USA or [www.kohler.ca](http://www.kohler.ca) Canada.

4-15-2026 4:1 - US-CA



## Installation Notes

*Install this product according to the installation instructions.*

Mount the sidebar to stud framing or install backing support.

For tile or other solid finish surfaces: Pre-drill mounting holes through surface material only; do not drill into the stud.

For drywall surface: No pre-drill is required.

NOTE: The mounting brackets can be adjusted to align with existing holes for retrofit installations.

ADA, OBC, CSA B651 compliant when installed to the specific requirements of these regulations.

