

Features

- Metal pop-up drain with tailpiece.
- 5-3/8" (137 mm) spout reach.
- Includes stationary spout with aerator and pop-up drain with 1 1/4" tailpiece.
- Handles sold separately.
- Laminar flow delivers a graceful stream of water.
- 1.2 gpm (4.5 l/min) maximum flow rate.
- Coordinate with your choice of Artifacts handles for a personalized design.

Material

- Brass.
- KOHLER finishes resist corrosion and tarnishing.

Installation

- Widespread.

Water Conservation & Rebates

- This product can help a building earn Water Efficiency points in LEED® Green Building Rating System.

Required Products/Accessories

K-98068-3M Prong bathroom sink faucet handles

or

K-98068-4 Lever bathroom sink faucet handles

or

K-98068-9M Swing lever bathroom sink faucet handles

or

K-98068-3 Cross bathroom sink faucet handles

Recommended Products/Accessories

K-23726 Drain treatment

K-23723 Faucet cleaner



Codes/Standards

ASME A112.18.1/CSA B125.1

NSF/ANSI 61

NSF/ANSI 372

All applicable US Federal and State material regulations

DOE - Energy Policy Act 1992

EPA WaterSense®

California Energy Commission (CEC)

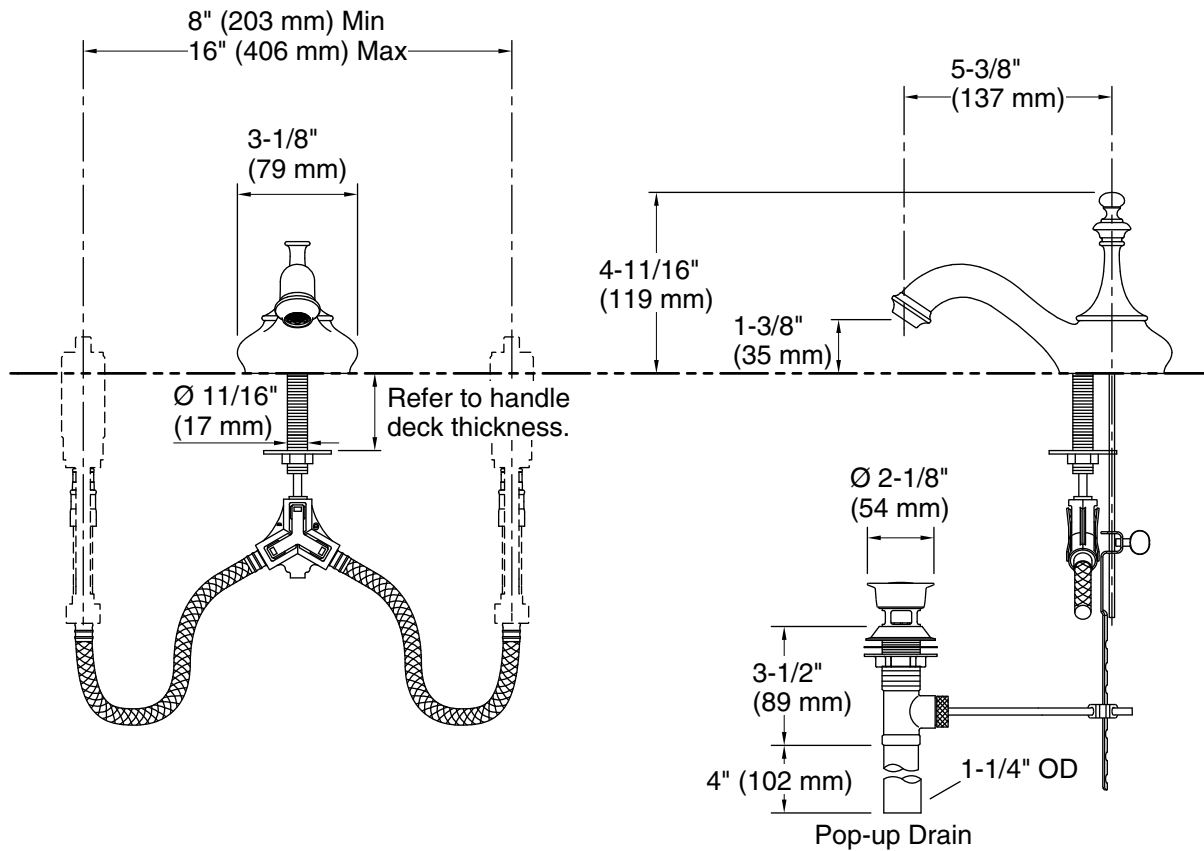
KOHLER® Faucet Lifetime Limited Warranty

See website for detailed warranty information.

Available Colors/Finishes

Color tiles intended for reference only.

Color	Code	Description
	CP	Polished Chrome
	SN	Vibrant® Polished Nickel
	BN	Vibrant® Brushed Nickel
	BV	Vibrant® Brushed Bronze
	2BZ	Oil-Rubbed Bronze
	2MB	Vibrant® Brushed Moderne Brass
	VNT	Vintage Nickel



Technical Information

All product dimensions are nominal.

Faucet:

Flow rate: 1.2 gal/min (4.5 l/min)

Pressure: 60 psi (4.1 bar)

Drain included: Yes

Drain tailpiece included: Yes

Spout:

Spout reach: 5-3/8" (137 mm)

Notes

Install this product according to the installation guide.