

## Features

- Includes valve trim, bath spout, shower arm with flange, and showerhead
- Single lever handle allows for both on/off activation and temperature setting
- Includes 5-3/4" diverter bath spout with 1/2" NPT connection
- Coordinates with Bancroft faucets, accessories, and showering components to complete your bathroom
- Includes single-function 2.5 gpm (9.5 lpm) showerhead with Katalyst® air-induction technology
- Pressure-balancing diaphragm technology maintains outlet temperature within +/-3°F during water pressure fluctuations
- MasterClean™ sprayface features an easy-to-clean surface that withstands mineral buildup and maximizes spray performance

## Material

- Premium material construction with metal handle ensures reliability and durability
- KOHLER® finishes resist corrosion and tarnishing

## Installation

- Trim only; requires valve to complete installation (sold separately)

## Required Products/Accessories

K-8304 Series Rite-Temp® Valve & Cartridge Kits

or

K-8300 Series Rite-Temp® Valve Body Rough-ins

K-8305 Series Rite-Temp® Cartridges

## Recommended Products/Accessories

K-23723 Faucet cleaner

## Optional Products/Accessories

K-10350 Deep rough-in kit

K-10351 Test cap for K-8300 Series valve bodies



## Codes/Standards

ASME A112.18.1/CSA B125.1

DOE - Energy Policy Act 1992




IAPMO Certification

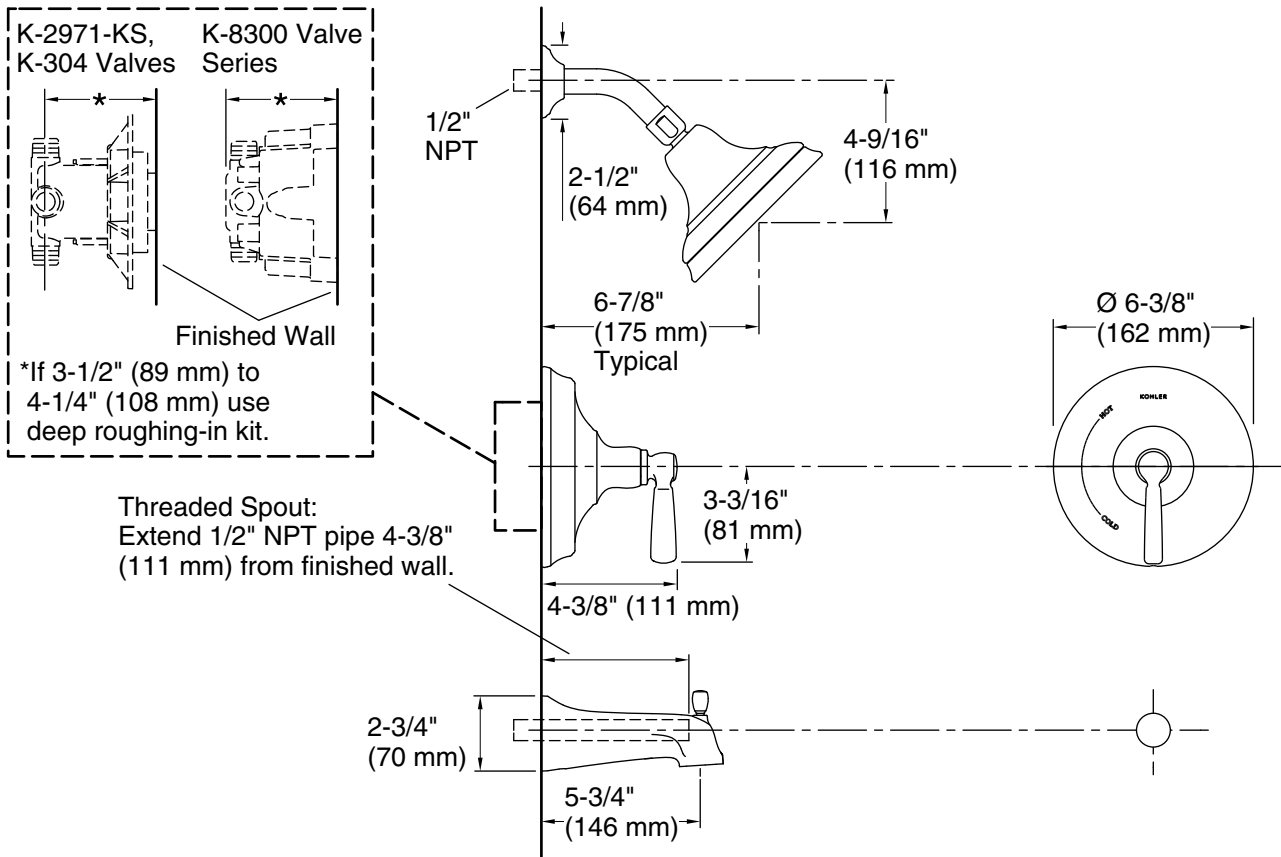
## KOHLER® Faucet Lifetime Limited Warranty

See website for detailed warranty information.

## Available Colors/Finishes

*Color tiles intended for reference only.*

Color	Code	Description
	CP	Polished Chrome
	SN	Vibrant® Polished Nickel
	BN	Vibrant® Brushed Nickel



## Technical Information

All product dimensions are nominal.

### Showerhead/Body Spray:

Rated maximum flow: 2.5 gal/min (9.5 l/min)  
 Pressure: 80 psi (5.5 bar)

## Notes

Install the product according to the installation guide.

**NOTICE:** Risk of product damage. Long screws for installing trim can damage the K-2971-KS valve. Consult the trim installation guide to verify if the thin wall installation kit (88526) is needed.

Install straight pipe or tube drop of 7" (178 mm) to 18" (457 mm) with single elbow between the valve and the wall-mount spout. Elbow must be a 90 degree drop ell that is secured to rigid framing.