

### Features

- 24/7 monitoring of all water lines in your home—great for finding ways to conserve water
- Fixed ultrasonic flow meter and high-definition pressure sensors analyze your home's water usage and measure changes 240 times per second, quickly detecting leaks
- KOHLER Konnect® app sends real-time alerts to your phone if system detects changes in water pressure that signal potential water leakage or other plumbing problems.\*
- Internal valve can be set up to close automatically; can also be closed remotely via the KOHLER Konnect® app, or manually with a local switch or small screwdriver
- Freeze warnings let you take action against frozen pipes to avoid costly damage

### Material

- Premium material construction for durability and reliability
- Gore-Tex® vent prevents internal condensation buildup

### Installation

- Requires Wi-Fi and AC power
- Installs on main water supply line after water meter or well pump system; inside or outside the home
- Compatible with plumbing up to 1-1/4"; requires two 3/4" water meter couplings (sold separately)
- Professional installation recommended
- \*KOHLER Konnect® app pairs with Amazon Alexa and Google Home
- Google, Google Home and Google Play are trademarks of Google LLC

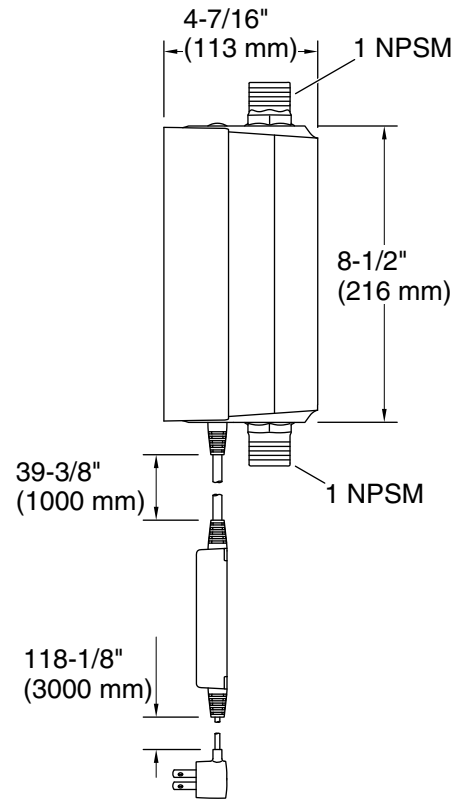
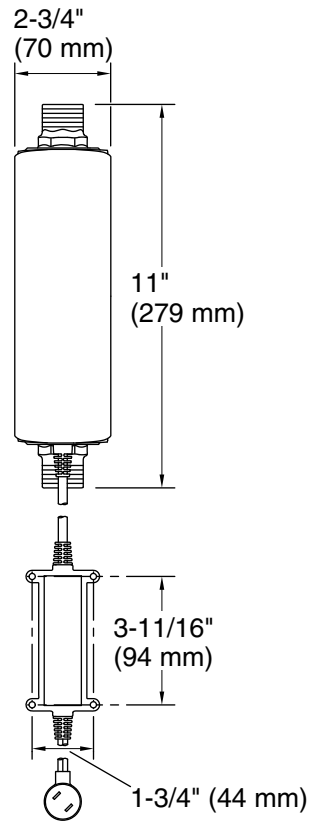


### Codes/Standards

NSF/ANSI/CAN 372  
NSF/ANSI/CAN 61

### KOHLER® Smart Home Water Leak Detector Two-Year Limited Warranty

See website for detailed warranty information.



### Required Electrical Service

One circuit required.

120 V, 0.8 A, 60 Hz

### Technical Information

All product dimensions are nominal.

Power source: Plug - AC, included