

Features

- Geometric rectangular basin with vertical sides
- No faucet holes; requires wall- or counter-mount faucet
- Center drain
- With overflow

Material

- Vitreous china

Installation

- Undermount



ADA

Codes/Standards

ASME A112.19.2/CSA B45.1

ADA

ICC/ANSI A117.1


KOHLER® Vitreous China Bathroom Sink Lifetime Limited Warranty

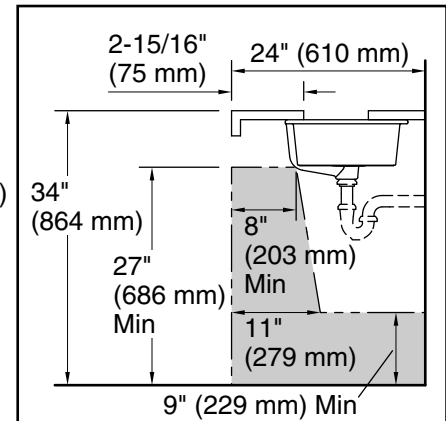
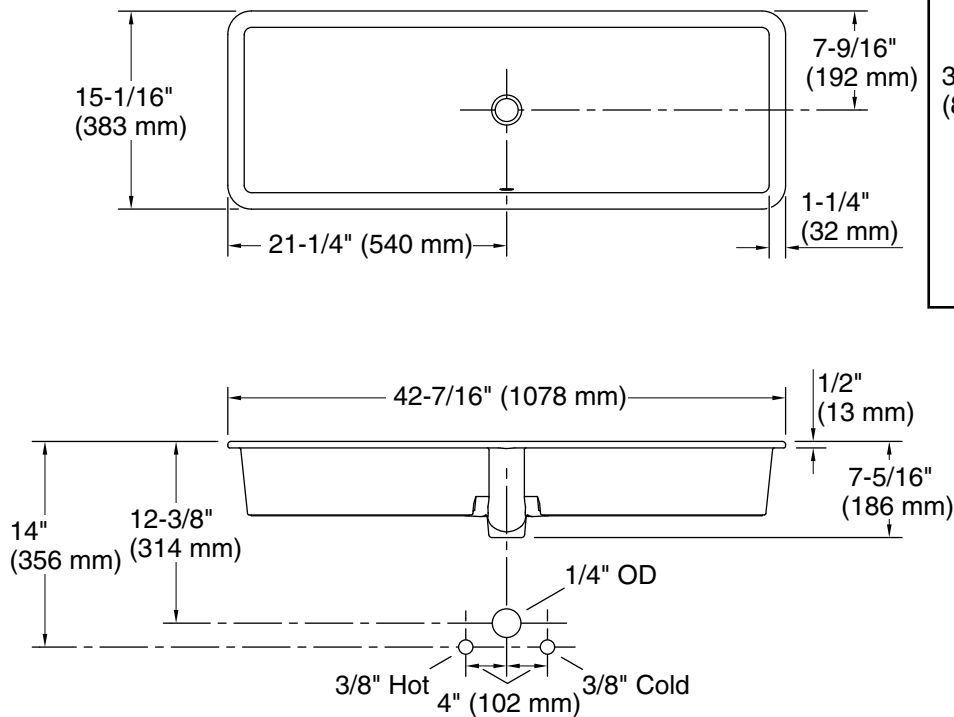
See website for detailed warranty information.

Available Colors/Finishes

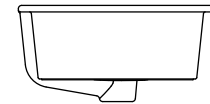
Color tiles intended for reference only.

Color	Code	Description
-------	------	-------------

	0	White
---	---	-------



Recommended ADA Installation



Technical Information

All product dimensions are nominal.

Basin configuration:	Single Bowl
Bowl area (Basin #1):	Length: 39-11/16" (1008 mm) Width: 12-5/16" (313 mm) Bowl depth: 5-11/16" (144 mm)
With overflow:	Yes
Drain hole:	1-5/8" (42 mm)
Template:	Undermount, 1562726-7, required, not included

Notes

Install this product according to the installation instructions.

ADA compliant when installed to the specific requirements of these regulations.