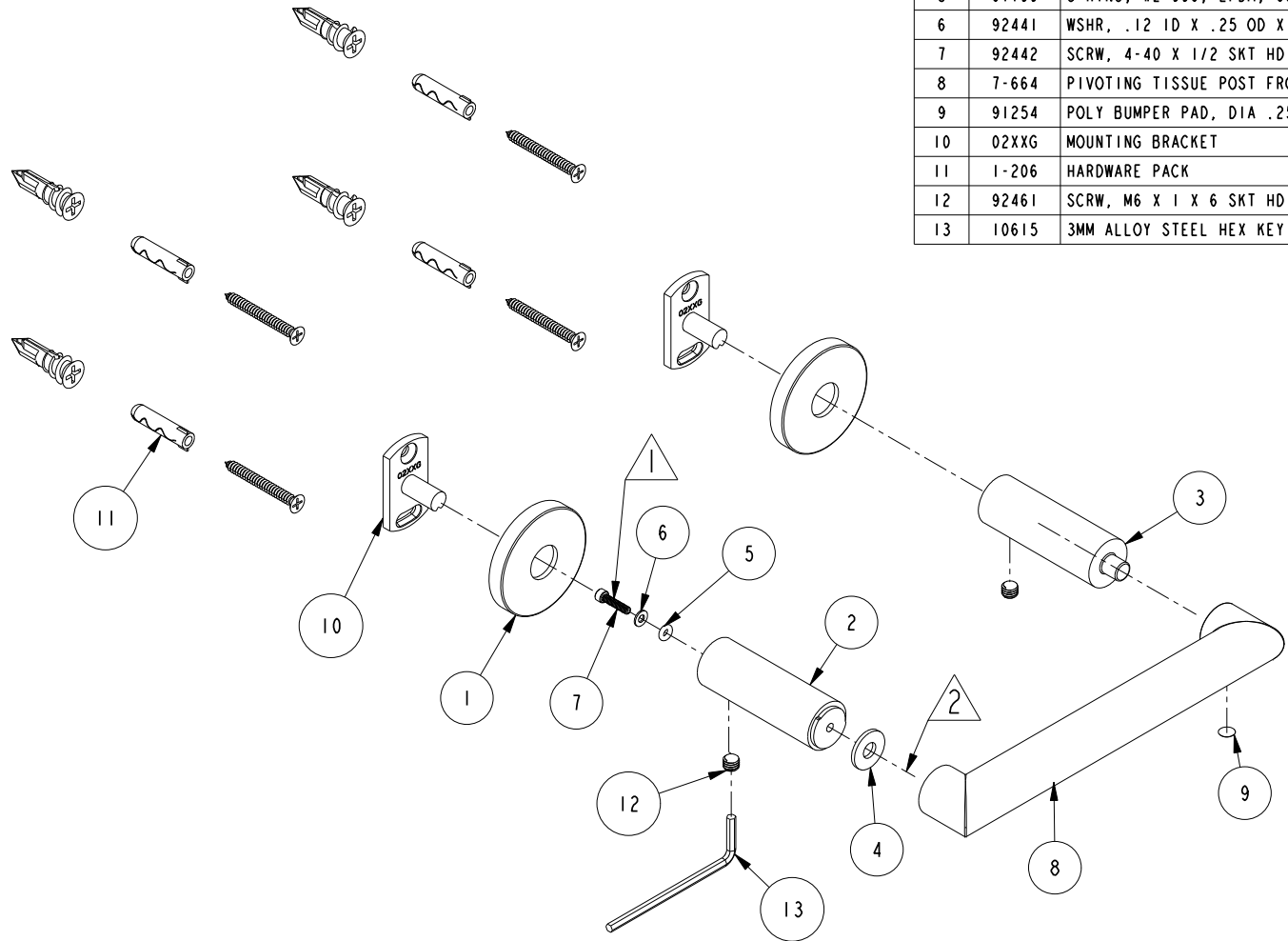


NOTES:

- 1 APPLY PERMANENT THREAD LOCKER (LOCTITE 680)
- 2 UPON ASSEMBLY 7-664 ARM TO SUSTAIN ITS OWN WEIGHT WHEN ROTATED
- 3. BAG ITEMS 10,11,12 AND 13.

BILL OF MATERIAL (CURRENT LEVEL)

ITEM	PT/ASSY	DESCRIPTION	TYPE	QTY.
1	40458	ROSETTE	PART	2
2	40381	PIVOTING TISSUE POST RIGHT	PART	1
3	40382	PIVOTING TISSUE POST LEFT	PART	1
4	91464	WSHR, .254 ID X .625 OD X .063 THK, FLT, ACETAL	PART	1
5	91100	O-RING, #2-006, EPDM, 65-75 DURO	PART	1
6	92441	WSHR, .12 ID X .25 OD X .02-.04 THK, FLT, DELRIN	PART	1
7	92442	SCRW, 4-40 X 1/2 SKT HD CAP SS	PART	1
8	7-664	PIVOTING TISSUE POST FRONT	PART	1
9	91254	POLY BUMPER PAD, DIA .250" X .062"	PART	1
10	02XXG	MOUNTING BRACKET	PART	2
11	1-206	HARDWARE PACK	ASSEMBLY	2
12	92461	SCRW, M6 X 1 X 6 SKT HD CONE PT SS	PART	2
13	10615	3MM ALLOY STEEL HEX KEY	PART	1



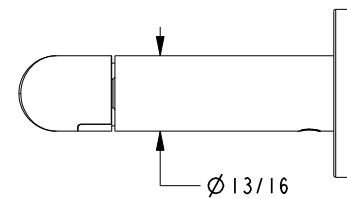
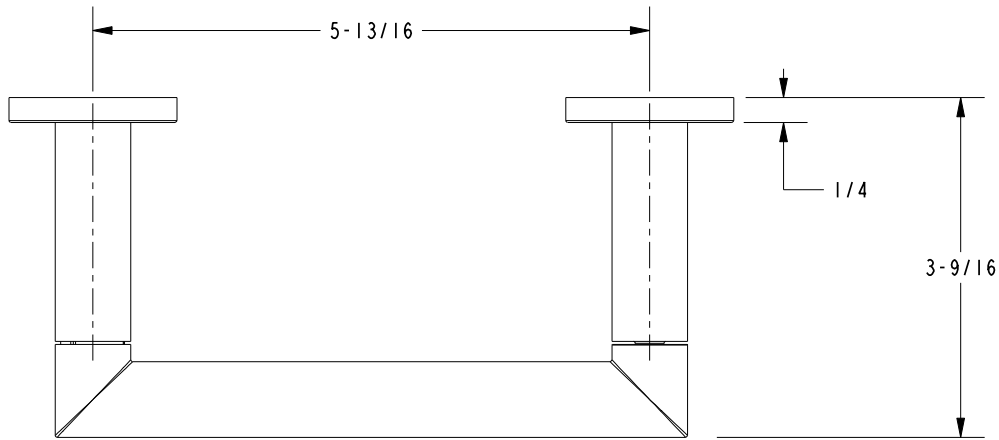
COPYRIGHT 2005 BRASSTECH, INC. THESE DRAWINGS AND THE DESIGNS DEPICTED HEREIN ARE THE PROPRIETARY PROPERTY OF BRASSTECH. ANY USE OR REPRODUCTION IS SUBJECT TO THE EXPRESS APPROVAL OF BRASSTECH. UNAUTHORIZED USE IS STRICTLY PROHIBITED. ALL RIGHTS RESERVED.

**BRASSTECH**  
INCORPORATED  
2001 E. CARNEGIE AVE.  
SANTA ANA, CA 92705  
(949) 417-5207

PIVOTING TISSUE HOLDER

ASSY. NO.		B	EN-2789	08/07/14
36-28		A	EN-1893	11/14/11
SCALE .375		-	EN-0995-1	11/10/10
REF. -	SHEET 1 OF 2	REV	REV DESC	DATE

**SPECIFICATION DWG**



DIMENSIONS ARE IN INCHES AND AN APPROXIMATION OF A TYPICAL INSTALLATION

COPYRIGHT 2005 BRASSTECH, INC. THESE DRAWINGS AND THE DESIGNS DEPICTED HEREIN ARE THE PROPRIETARY PROPERTY OF BRASSTECH. ANY USE OR REPRODUCTION IS SUBJECT TO THE EXPRESS APPROVAL OF BRASSTECH. UNAUTHORIZED USE IS STRICTLY PROHIBITED. ALL RIGHTS RESERVED.

<b>BRASSTECH</b>		2001 CARNEGIE AVE.
INCORPORATED		SANTA ANA, CA 92705
		(949) 417-5207
DWG NO.	36-28	REV B
SCALE .500	REF. -	SHEET 2 OF 2