

### Features

- Two Lever handles offer separate control of hot and cold water
- 7-1/2" (191 mm) spout reach with slip-fit connection and diverter knob
- Coordinates with other products in the Riff collection
- Trim only, requires valve to complete installation

### Material

- Premium metal construction for durability and reliability
- KOHLER finishes resist corrosion and tarnishing

### Installation

- Deck- or bath-mount

### Required Products/Accessories

K-438-K 1/2" ceramic high-flow valve system

### Recommended Products/Accessories

K-29477 Deck-mount handshower holder with hose  
 K-21335-G Round two-function handshower, 1.75 gpm  
 K-21336-G Square two-function handshower, 1.75 gpm  
 K-27409 18" towel bar  
 K-27410 24" towel bar  
 K-27411 Double robe hook  
 K-27412 Towel ring  
 K-27413 Pivoting toilet paper holder



ADA CSA B651 OBC

### Codes/Standards



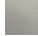


ASME A112.18.1/CSA B125.1  
 ADA  
 ICC/ANSI A117.1  
 CSA B651  
 OBC

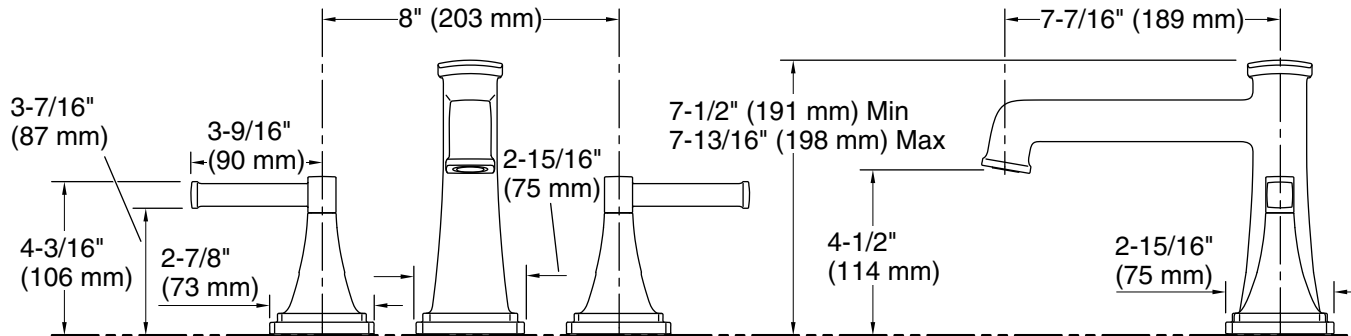
### KOHLER® Faucet Lifetime Limited Warranty

See website for detailed warranty information.

### Available Colors/Finishes

*Color tiles intended for reference only.*

Color	Code	Description
	CP	Polished Chrome
	SN	Vibrant® Polished Nickel
	BN	Vibrant® Brushed Nickel
	BL	Matte Black
	2MB	Vibrant® Brushed Moderne Brass



### Technical Information

All product dimensions are nominal.

### Spout:

Spout reach: 7-7/16" (189 mm)

### Notes

Install this product according to the installation instructions.

ADA, OBC, CSA B651 compliant when installed to the specific requirements of these regulations.