

Floor (12000 BTU) Indoor Unit  
For Heat-recovery/Heat-pump Airstage VRF System

Job Name \_\_\_\_\_  
 Location \_\_\_\_\_  
 Engineer \_\_\_\_\_  
 Submitted To \_\_\_\_\_  
 Submitted By \_\_\_\_\_  
 Reference \_\_\_\_\_

Date \_\_\_\_\_  
 Approval \_\_\_\_\_  
 Construction \_\_\_\_\_  
 Unit No \_\_\_\_\_  
 Drawing No \_\_\_\_\_

## FEATURES

- Floor mount models can fit easily under most windows and replace a radiator twice its size
- Quiet and powerful airflow
- Louver auto-swing in two directions
- Auto-closing louvers
- Very low power usage
- Compatible with 2-wire remotes only
- 10 year Extended Warranty on parts and compressor. See Warranty Statement.



## CAPACITY

Capacity - Cooling - Btu/h [kW]	12,000 [3.5]
Capacity - Heating - Btu/h [kW]	13,500 [4.0]

## PIPING ACCESSORIES

UTP-AX090A	Separation Tube - 2-Pipe - 90 MBH or Less
UTP-AX180A	Separation Tube - 2-Pipe - 91 to 180 MBH
UTP-AX567A	Separation Tube - 2-Pipe - 180 MBH or More

## CONTROLLER

UTY-RNRUZ4	Individual Touch Panel Controller (Wired Remote)
UTY-RSRY	Simple Remote (WITH Master Control) 2-Wire
UTY-RHRY	Simple Remote (WITHOUT Master Control) 2-Wire
UTY-DCGY	Central Remote Controller (100 units)
UTY-DTGYZ1	Touch Panel Controller with Internet (400 units)
UTY-APGX	System Controller (1600 units)

## ELECTRICAL

Power Source	208 / 230V, 1-Phase, 60Hz
Available Voltage Range - VAC	187 to 253
Input Power - W	22
Full Load Amps - FLA - A	0.24
Max Circuit Breaker - A	15
Minimum Circuit Ampacity - MCA - A	0.3

## FAN

Fan Type	Cross flow x 2
Airflow Rate - High   Medium High - CFM [m³/h]	347 [590] 306 [520]
Airflow Rate - Medium   Medium Low - CFM [m³/h]	277 [470] 247 [420]
Airflow Rate - Low   Quiet - CFM [m³/h]	230 [390] 200 [340]

## SOUND PRESSURE

Sound Pressure Level - dB(A)	22/29/31/34/36/35
------------------------------	-------------------

## WIRING

Communication Cable	LonWorks (Fujitsu Pink Cable. See AE Bulletin 009)
---------------------	--

## PIPING

Connection Pipe Diameter - Liquid (Brazing) - in [mm]	ø 1/4 [6.35]
Connection Pipe Diameter - Gas (Brazing) - in [mm]	ø 1/2 [12.70]
Connection Pipe Diameter - Drain (ID; OD) - in [mm]	ø9/16 (13.8)
Drain-Pump	Optional

## ETL

E.T.L.	91987
--------	-------

## TEMPERATURE RANGES

Operating Temp. Cooling (DB) - °F [°C]	64 to 88 [18 to 31]
Operating Temp. Heating (DB) - °F [°C]	50 to 88 [10 to 31]

Note: Specifications are based on the following conditions:  
 Cooling: Indoor temperature of 80°F (26.7°C) DB/67°F (19.4°C) WB, and outdoor temperature of 95°F (35°C) DB/75°F (23.9°C) WB.  
 Heating: Indoor temperature of 70°F (21.1°C) DB/60°F (15.6°C) WB, and outdoor temperature of 47°F (8.3°C) DB/43°F (6.1°C) WB. Pipe length: 25ft. (7.5m), Height difference: 0ft. (0m) (Outdoor unit – indoor unit).

## ACCESSORIES

UTY-TTRX	3rd. Party thermostat convertor
----------	---------------------------------

## WEIGHT AND DIMENSIONS

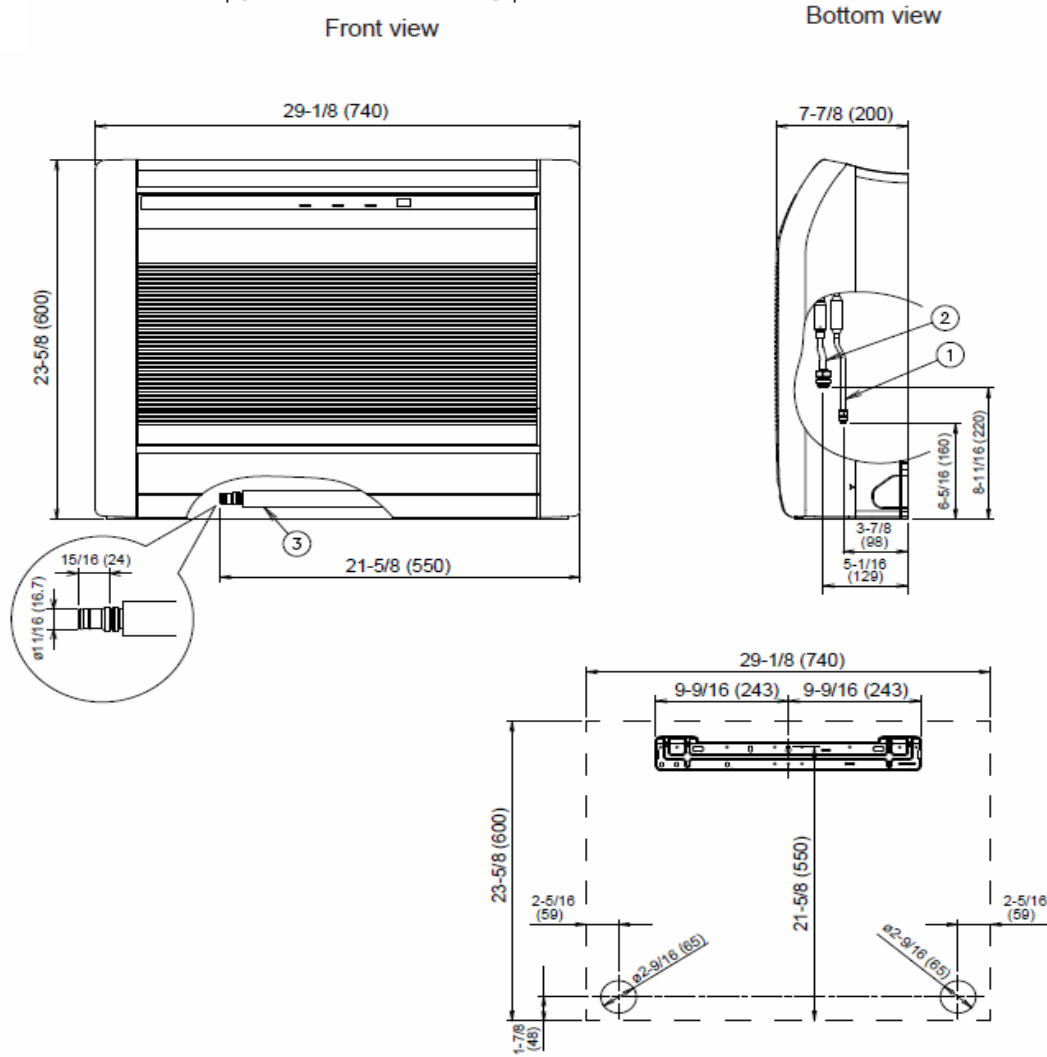
Enclosure - Net Weight - lbs [kg]	33 [15]
Enclosure - Gross Weight - lbs [kg]	42 [19]
Dimensions - Net (H x W x D) - in [mm]	23-5/8x29-1/8x7-7/8 600x740x200
Dimensions - Gross (H x W x D) - in [mm]	27-9/16x32-5/16x12-3/16 700x820x310



Floor (12000 BTU) Indoor Unit  
For Heat-recovery/Heat-pump Airstage VRF System

## DIMENSIONS

Unit: In. (mm)



FUJITSU GENERAL AMERICA, INC.  
340 Changebridge Rd.  
Pine brook, NJ 07058  
Toll Free: (888) 888-3424  
Fax: (973) 836-0453  
www.airstagevrf.com