

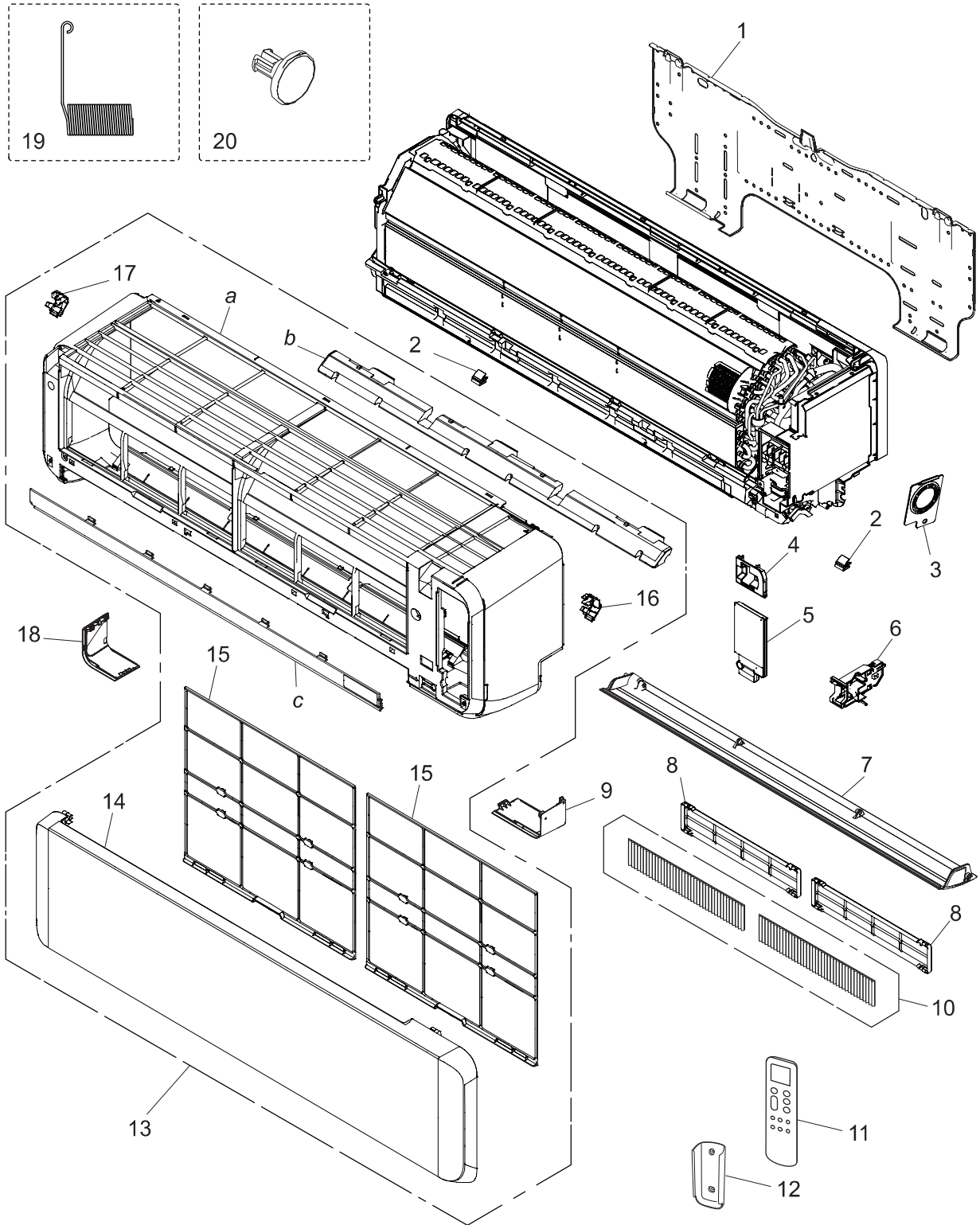
2. Indoor unit parts list

2-1. Models: ASUH18LPAS and ASUH24LPAS

TECHNICAL DATA
AND PARTS LIST

TECHNICAL DATA
AND PARTS LIST

■ Exterior parts and Accessories

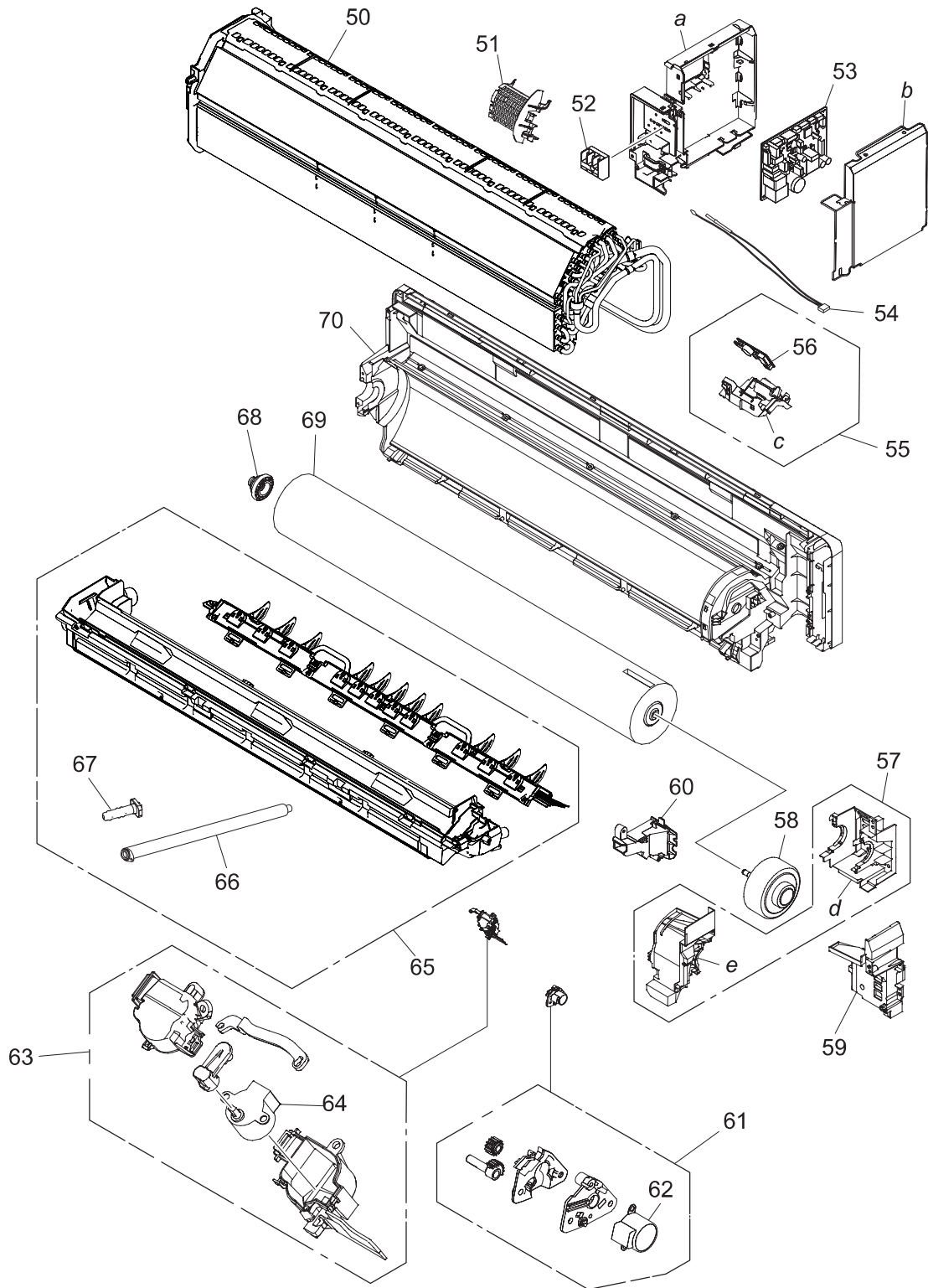


Item no.	Part no.	Part name	Service part
1	9388158013	Bracket panel	◆
2	9387476002	Screw cover	◆
3	9313951047	Conduit holder	◆
4	9383729027	Wire cover B	◆
5	9387597035	Wire cover assy	◆
6	9383765056	WLAN adapter holder assy	◆
7	9387479010	U/D louver assy	◆
8	9332911008	Electric filter holder	◆
9	9323341036	Under cover L	◆
10	9317250009	Air clean filter assy	◆
11	9334126011	Remote controller	◆
12	9334098004	Remote controller holder	◆
13	9384977038	Front panel total assy	◆
14	9387756210	Intake grille assy	◆
15	9323340008	Air filter	◆
16	9333719009	Grille clamper L	◆
17	9333704005	Grille clamper R	◆
18	9323342033	Under cover R	◆
19	9383730030	Louver spring	◆
20	9333608006	Bush	◆
—	9901010071	Wire with connector (CN75 on main PCB—WLAN adapter)	◆
<i>a</i>	—	Front panel	—
<i>b</i>	—	Panel cover	—
<i>c</i>	—	Front panel B	—

■ Chassis

TECHNICAL DATA
AND PARTS LIST

TECHNICAL DATA
AND PARTS LIST



Item no.	Part no.	Part name	Service part
50	9383735165	Evaporator total assy (for 18 model)	◆
	9383735189	Evaporator total assy (for 24 model)	◆
51	9387467000	Room thermistor holder	◆
52	9901013010	Terminal	◆
53	9711732064	Main PCB (for 18 model)	◆
	9711732071	Main PCB (for 24 model)	◆
54	9900627041	Thermistor assy	◆
55	9711146052	Display assy	◆
56	9711147011	Indicator PCB	◆
57	9387589054	Motor case assy	◆
58	9603821005	Brushless motor	◆
59	9383565007	Pipe bracket	◆
60	9387488043	Cable guide	◆
61	9387714012	Gear case assy	◆
62	9901011016	Stepping motor	◆
63	9383728006	R and L louver SPM assy	◆
64	9901011023	Stepping motor	◆
65	9387590142	Drain pan total assy	◆
66	9316904002	Drain hose assy	◆
67	9316177017	Drain cap	◆
68	9333628004	Bearing D assy	◆
69	9387055054	Crossflow fan assy	◆
70	9387587173	Base assy	◆
<i>a</i>	—	Control box	—
<i>b</i>	—	Control cover	—
<i>c</i>	—	Display case	—
<i>d</i>	—	Motor case	—
<i>e</i>	—	Motor cover assy	—