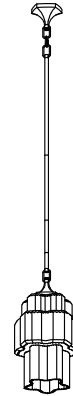


Features

- Ridged cylindrical glass shades combine with faceted metals in vintage-inspired fixtures elegant enough for any room
- Coordinates with faucets in the Occasion collection
- Requires three bulbs with candelabra (E12) base; type T bulb recommended (sold separately)
- Suitable for damp locations, per UL 1598
- Includes installation hardware

Material

- Premium metal and glass construction
- Manufactured with quality materials and complemented with a meticulous finishing process
- Durable finishes engineered to last and designed to coordinate with KOHLER faucet finishes

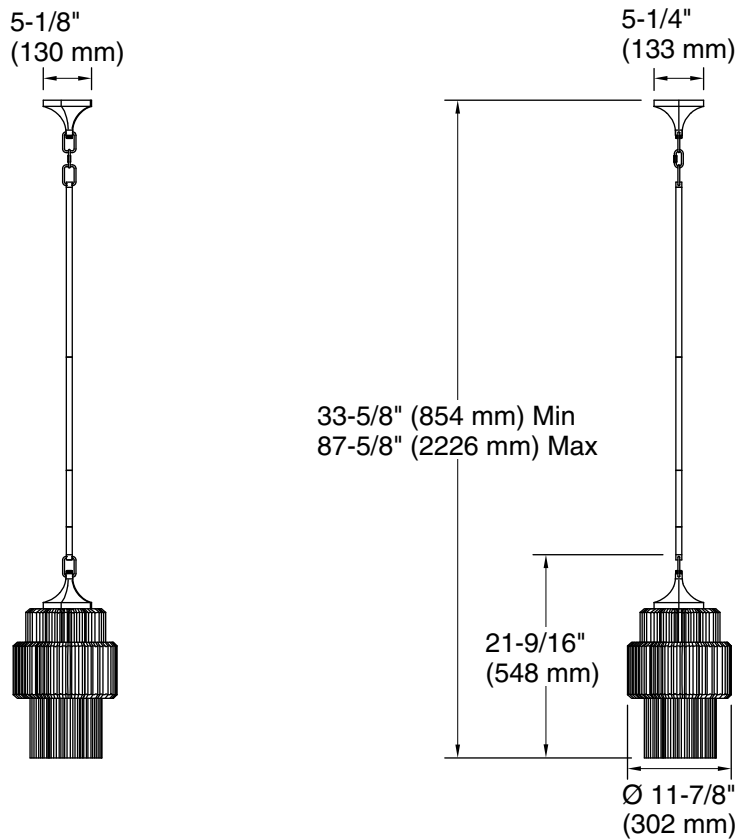


Codes/Standards

UL 1598
CSA C22.2 No. 250.0

KOHLER® Indoor Lighting Fixtures Limited Warranty

See website for detailed warranty information.



Required Electrical Service

One circuit required.

120 V, 60 Hz

Technical Information

All product dimensions are nominal.

Installation Type:	Ceiling-mount
Material:	Steel, Aluminum, Zinc, Glass
Number of Lights:	3
Lighting Type:	Socket-based
Socket Type:	E-12 Candelabra
Number of Shades:	1
Shade Type:	Glass - clear
Hanging Type:	Downrod
Downrod Detail:	1 x 3" (76 mm), 1 x 6" (152 mm), 1 x 12" (305 mm), 2 x 18" (457 mm)
Height:	33-5/8" (854 mm) - 87-5/8" (2226 mm)