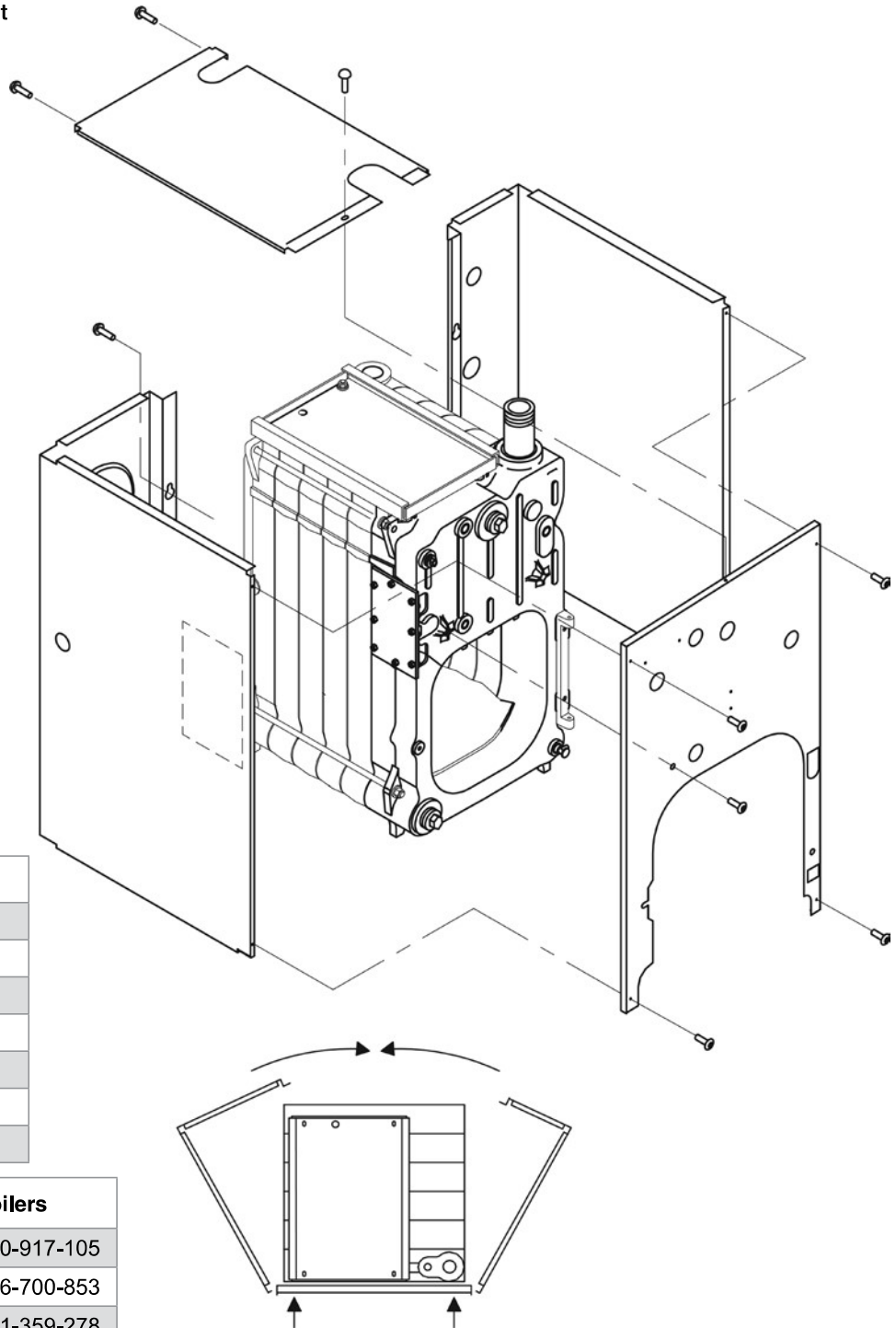




WARNING SERVICE TECHNICIAN ONLY — read and follow completely.

Replacement parts

Figure 27 SGO Series 4 boiler jacket



Complete Jacket cartons	
3 section	416-700-453
4 section	416-700-454
5 section	416-700-455
6 section	416-700-456
7 section	416-700-457
8 section	416-700-458
9 section	416-700-459

Common jacket parts for all boilers	
Plastic flue cap cover w/insulation	560-917-105
Jacket hardware kit	386-700-853
Touch up paint, Cloud spray can	381-359-278
Touch up paint, Slate spray can	384-000-141

Model	Jacket panel with insulation — front	Left side and rear	Right side and rear	Top panel with cap
SGO-3	381-355-928	381-355-929	381-355-974	381-355-933
SGO-4	381-355-928	381-355-930	381-355-975	381-355-934
SGO-5	381-355-928	381-355-931	381-355-976	381-355-935
SGO-6	381-355-928	381-355-932	381-355-977	381-355-936



▲WARNING SERVICE TECHNICIAN ONLY — read and follow completely.

Replacement parts

Figure 28 SGO Series 4 section and flue collector parts

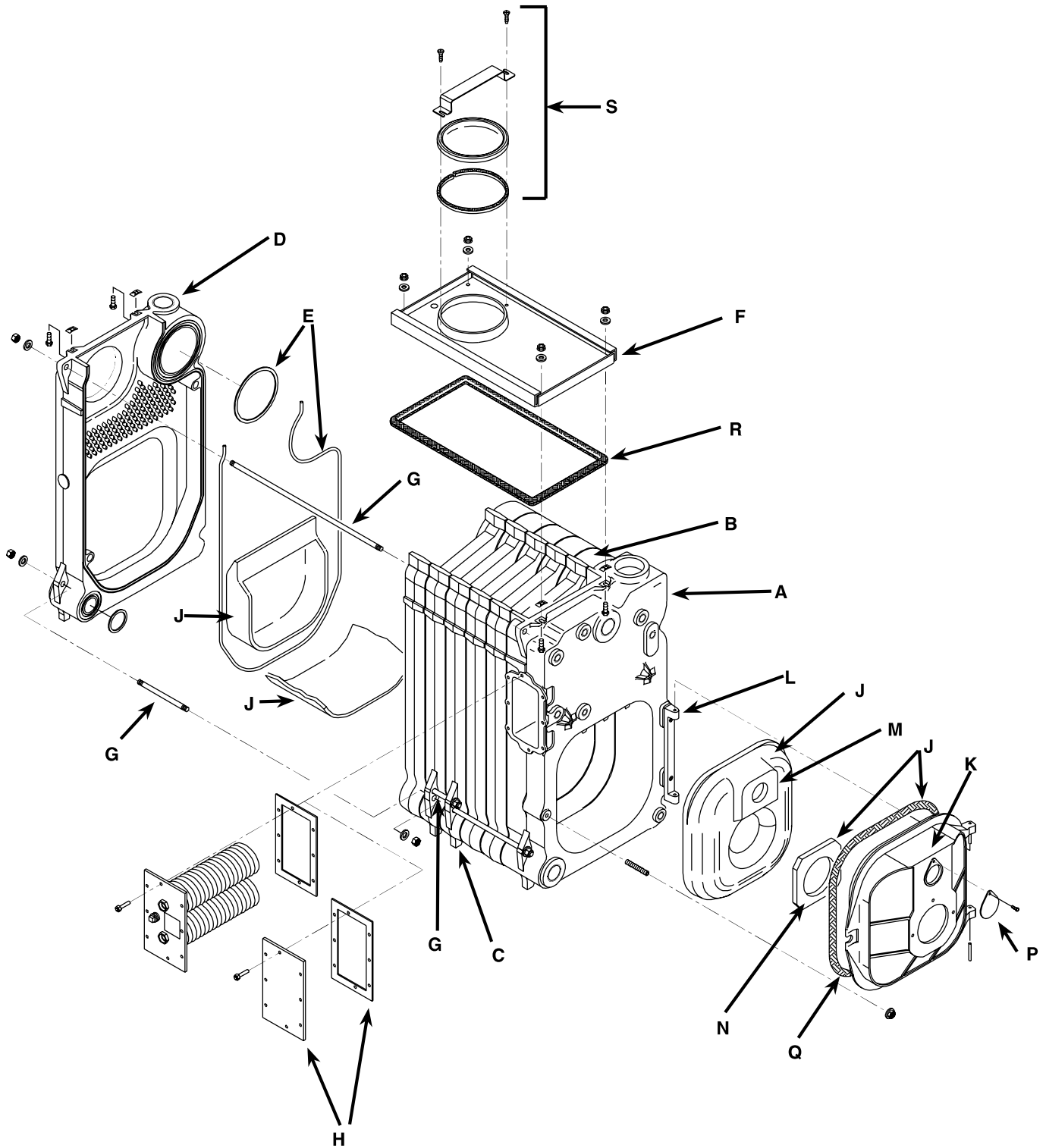
Item	Description	Part Number	Item	Description	Part Number
A	Wide front section (7021)	316-700-245	G	Tie rod 1/2 x 5 1/2 (SGO-7, 8, 9)	560-234-464
B	Regular intermediate section (7015)	316-700-065	G	Tie rod 1/2 x 10 3/4 (SGO-7)	560-234-491
C	Intermediate section w/draw rod lugs (7016)	316-700-070	G	Tie rod 1/2 x 12 1/4 (SGO-3)	560-234-493
D	Back section w/7" flue, supply & 2" return (7027)	316-700-227	G	Tie rod 1/2 x 13 3/8 (SGO-7 & 8)	560-234-494
E	Section replacement kit (for 1 joint, includes seals, rope, adhesive and collector hood hardware) front or back section	386-700-852	G	Tie rod 1/2 x 14 (SGO-8, 9)	560-234-470
	Section replacement kit (for 2 joints, includes seals, rope and adhesive) intermediate section	386-700-851	G	Tie rod 1/2 x 15 (SGO-9)	560-234-495
	Section assembly, for SGO-3 w/jacket & collector hood installed	386-701-008	G	Tie rod 1/2 x 15 3/8 (SGO-4)	560-234-532
	Section assembly, for SGO-4 w/jacket & collector hood installed	386-701-009	G	Tie rod 1/2 x 16 1/2 (SGO-9)	560-234-496
	Section assembly, for SGO-5 w/jacket & collector hood installed	386-701-010	G	Tie rod 1/2 x 18 1/2 (SGO-5)	560-234-475
	Section assembly, for SGO-6 w/jacket & collector hood installed	386-701-011	G	Tie rod 1/2 x 21 5/8 (SGO-6)	560-234-536
	Section assembly only, for SGO-3	386-700-969	G	Tie rod 1/2 x 24 3/4 (SGO-7)	560-234-540
	Section assembly only, for SGO-4	386-700-970	G	Tie rod 1/2 x 28 (SGO-8)	560-234-544
	Section assembly only, for SGO-5	386-700-971	G	Tie rod 1/2 x 31 (SGO-9)	560-234-546
	Section assembly only, for SGO-6	386-700-972	H	Heater cover plate carton (cover plate, gasket, studs & nuts)	389-900-103
	Section assembly only, for SGO-7	386-700-669	J	Combustion chamber kit (rear & front ref., Door refractory blanket, rope, blanket & water glass)	386-700-355
	Section assembly only, for SGO-8	386-700-670	K	Burner mounting door assembly (door, obs. Port, rope, ins. And pins)	386-700-358
	Section assembly only, for SGO-9	386-700-671	L	Door hinge (7054)	330-054-300
F	Collector hood kit for SGO-3*	386-700-340	M	Door refractory	386-700-359
F	Collector hood kit for SGO-4*	386-700-341	N	Door refractory blanket	591-222-115
F	Collector hood kit for SGO-5*	386-700-342	P	Observation port shutter	460-039-867
F	Collector hood kit for SGO-6*	386-700-343	Q	Door seal rope 5'	590-735-104
F	Collector hood kit for SGO-7*	450-020-191	R	3/8" Glass rope for collector hood (7' for largest size hood)	590-735-109
F	Collector hood kit for SGO-8*	450-020-192	S	Flue cap assembly (cap, strap, rope and screws)	386-700-344
F	Collector hood kit for SGO-9*	450-020-193		Flue brush (123D)	591-706-214
				Blocked vent shutoff switch (Canada only)	511-624-650
			* Includes flue cap assembly, rope and hardware for installation.		



WARNING SERVICE TECHNICIAN ONLY — read and follow completely.

Replacement parts (continued)

Figure 29 SGO Series 4 section and flue collector parts



NOTICE

Repair parts must be purchased through Weil-McLain for the specific boiler as indicated in the list - page 42. Results from using modified or other manufactured parts will not be covered by warranty and may damage boiler or impair operation.



▲WARNING SERVICE TECHNICIAN ONLY — read and follow completely.

Replacement parts (continued)

Figure 30 SGO Series 4 Trim Parts

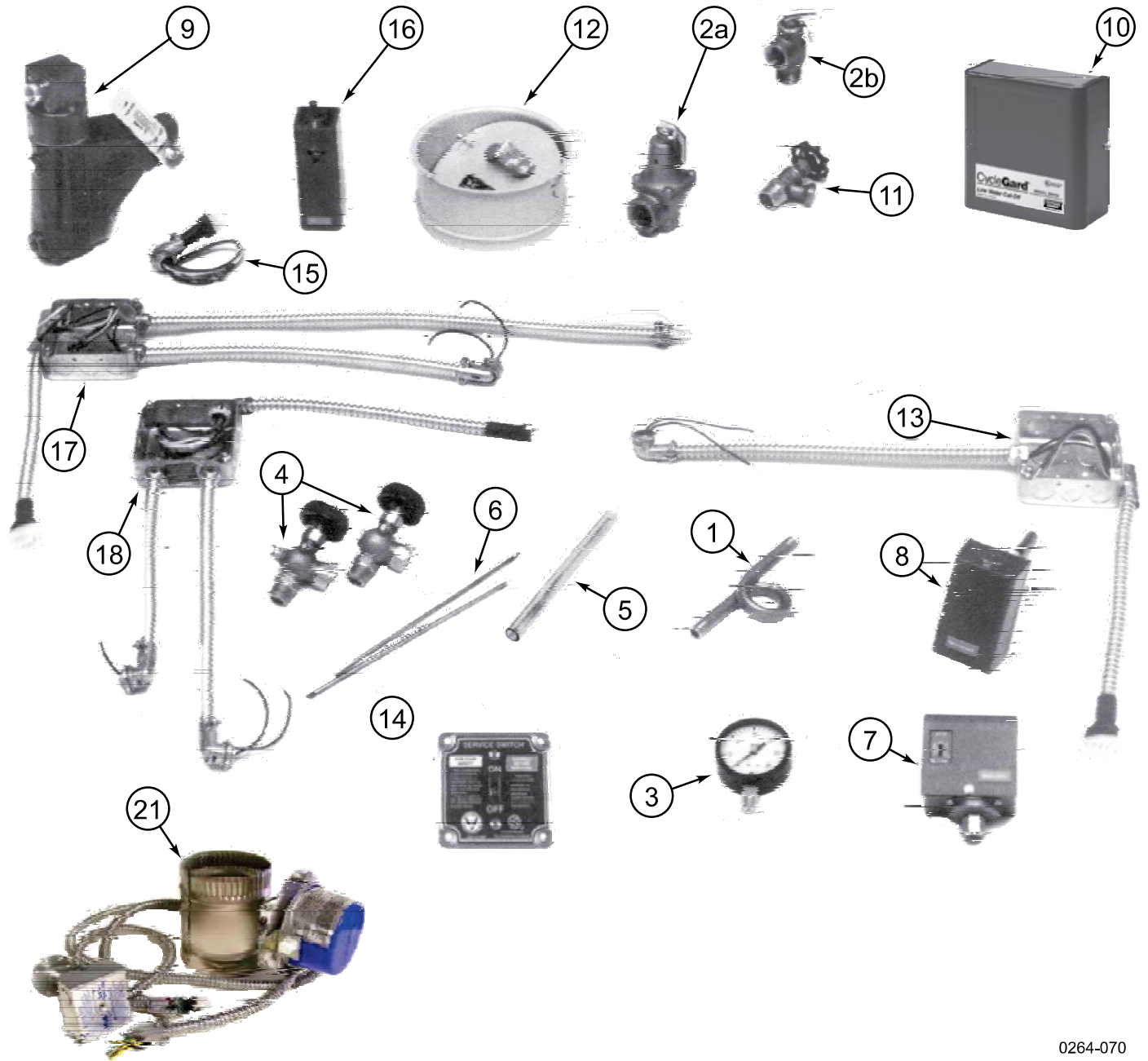
Item No.	Description	Part number
1	Syphon, 180° Bend, 1/4" brass pipe	560-640-698
2a	Steam relief valve, set to relieve at 15 PSIG., 3/4" NPT inlet 3/4" NPT side outlet, 300 lbs./hr steam capacity	511-548-023
2b	Steam relief valve, set to relieve at 15 PSIG., 3/4" NPT male inlet 3/4" NPT female side outlet, 407 lbs./hr steam capacity	
3	Steam pressure gauge, 0-30 PSIG.	510-218-045
4	Gauge cock set, B15, standard stem	510-218-135
5	Gauge glass kit, includes glass, gaskets and brass washers	383-600-001
6	Water gauge glass guard, 105/8" long	563-334-597
7	High pressure limit control, operating range 0.5-9 PSI., additive differential 1-5 PSI.	510-312-135
	High pressure limit control, operating range 0-15 PSI., differential 2-8 PSI.	
8	High temperature limit control, spst, automatic recycle with 3/4" well (used in tankless heater kit)	510-312-209
9	Low water cutoff, float type	511-114-495
10	Low water cutoff, probe type	511-100-007
11	Drain cock, 3/4", 11/2" shank	511-210-423
	Drain cock, 3/4"	511-246-392
12	Balanced draft damper (barometric) 7"	510-512-267
13	Junction box wiring harness assembly (Semi-packaged and Knocked-down boilers only)	591-391-848
14	Junction box cover assembly with service switch	591-391-854
15	Burner harness assembly	591-391-850
16	Limit control without well, spdt (for tankless heater)	510-311-024
17	Junction box-wiring harness assembly (SGO – float low water cutoff only - Packaged only)	591-391-842
18	Junction box-wiring harness assembly (SGO - probe low water cutoff only - Packaged only)	591-391-965
19	Flue pipe brackets (requires 2 of this item) (Not shown)	426-700-268
20	Tankless Heater - steam boiler, includes heater, gasket, nuts and studs. For SGO-3 through 9 (Not shown)	590-921-903
21	OVD-7 Vent damper kit – Required for SGO-3 through 7	381-800-515



WARNING SERVICE TECHNICIAN ONLY — read and follow completely.

Replacement parts (continued)

Figure 31 SGO Series 4 Trim Parts



0264-070

NOTICE Repair parts must be purchased through Weil-McLain for the specific boiler as indicated in the list - page 42. Results from using modified or other manufactured parts will not be covered by warranty and may damage boiler or impair operation.