

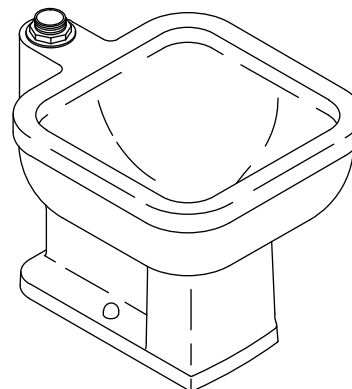
Features

- Vitreous china
- 1-1/2" top spud
- Siphon jet flushing rim
- Includes installation hardware
- 26-5/8" (676 mm) x 21" (533 mm) x 20" (508 mm)

Codes/Standards Applicable

Specified model meets or exceeds the following:

- ASME A112.19.2/CSA B45.1



Colors/Finishes

- 0: White

Accessories:

- ST: Stainless Steel
- NA: None applicable

Specified Model

Model	Description	Colors/Finishes
K-6676	Service sink	<input type="checkbox"/> 0
Recommended Accessories		
K-8935	Stainless steel rim guard	<input type="checkbox"/> ST
21401	Floor bolts (pair)	<input type="checkbox"/> NA

Product Specification

The service sink shall be made of vitreous china. Sink shall have a 1-1/2" top spud. Sink shall have siphon jet flushing rim. Sink shall include installation hardware. Sink shall be 20" (508 mm) in length and 21" (533 mm) in width. Sink shall be Kohler Model K-6676-0.

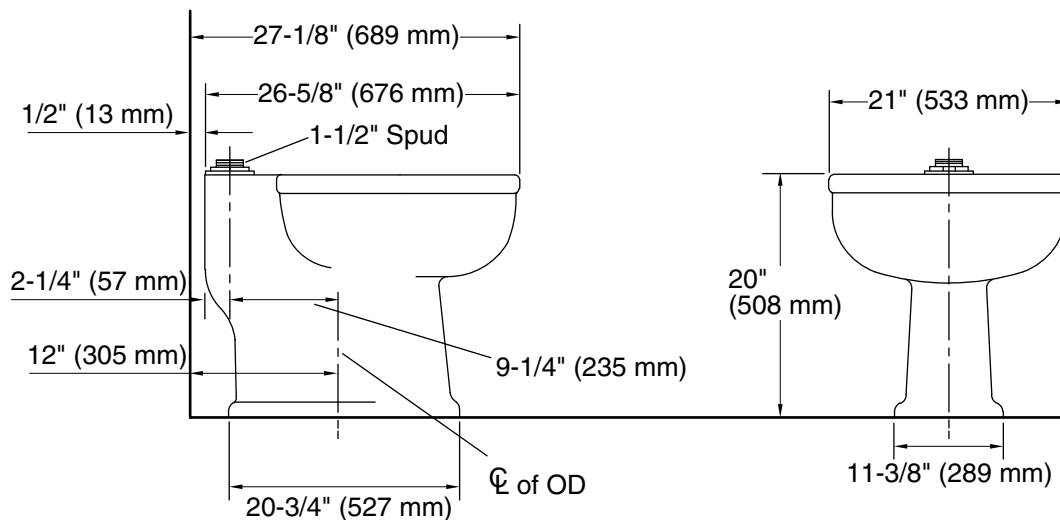
TYRRELL™

Technical Information

Fixture*:	
Basin area	17" (432 mm) x 17" (432 mm)
Water depth	7-5/8" (194 mm)
Water surface	12" (305 mm) x 12" (305 mm)
Drain hole	Ø 2-5/8" (67 mm)
Spud hole	Ø 2-1/4"
Passageway	Ø 2-1/2" (64 mm)
Minimum running pressure required	25 psi (2 kg/cm ²)
* Approximate measurements for comparison only.	
Included components:	
1-1/2" spud	18357
Bolt caps (pair)	52048

Installation Notes

Install this product according to the installation guide.



Product Diagram