

6.1 PARTS DIAGRAMS

SL 10-85 G3/ SL 14-115 G3 Modulating Boiler - Parts assembly

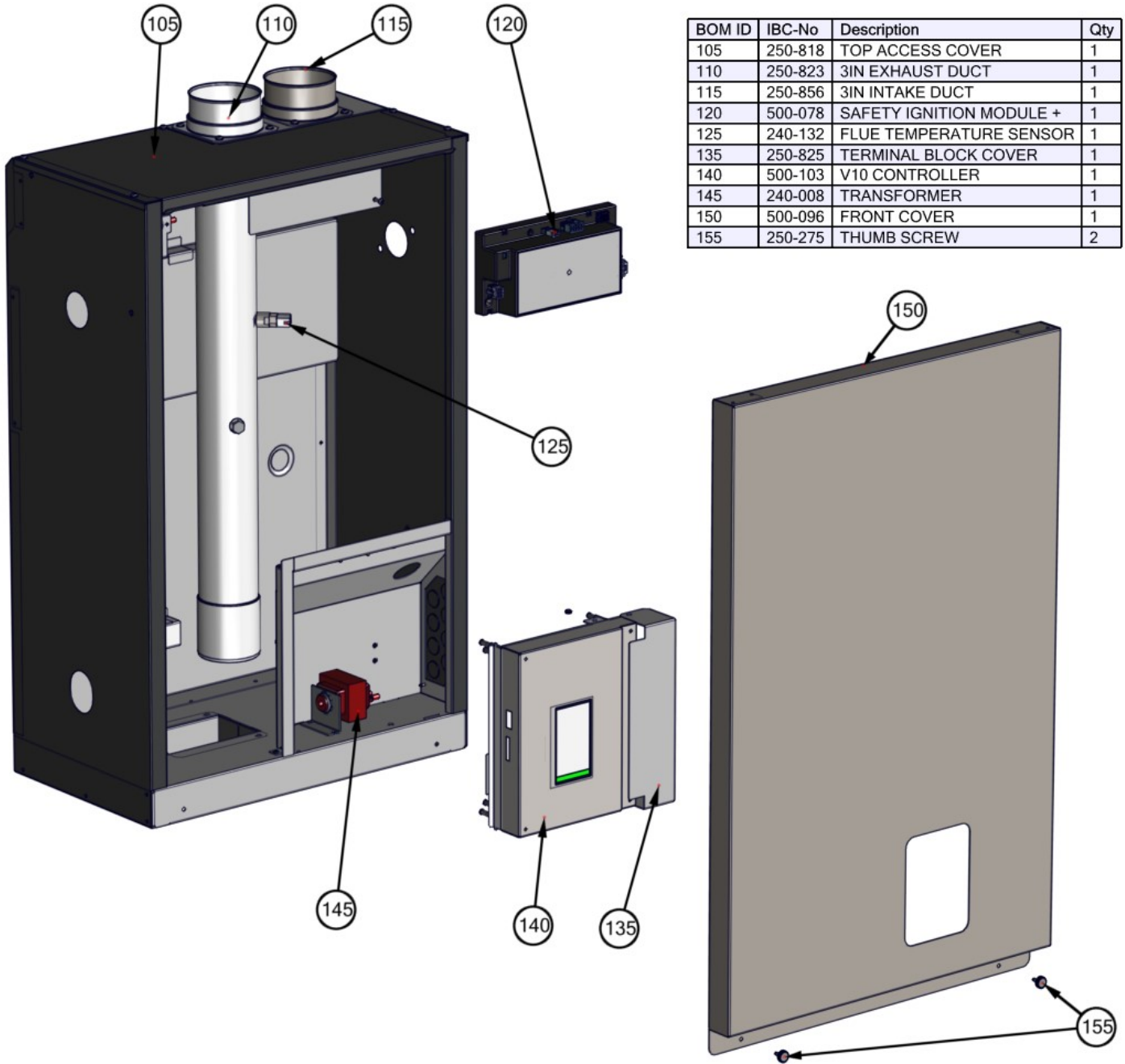
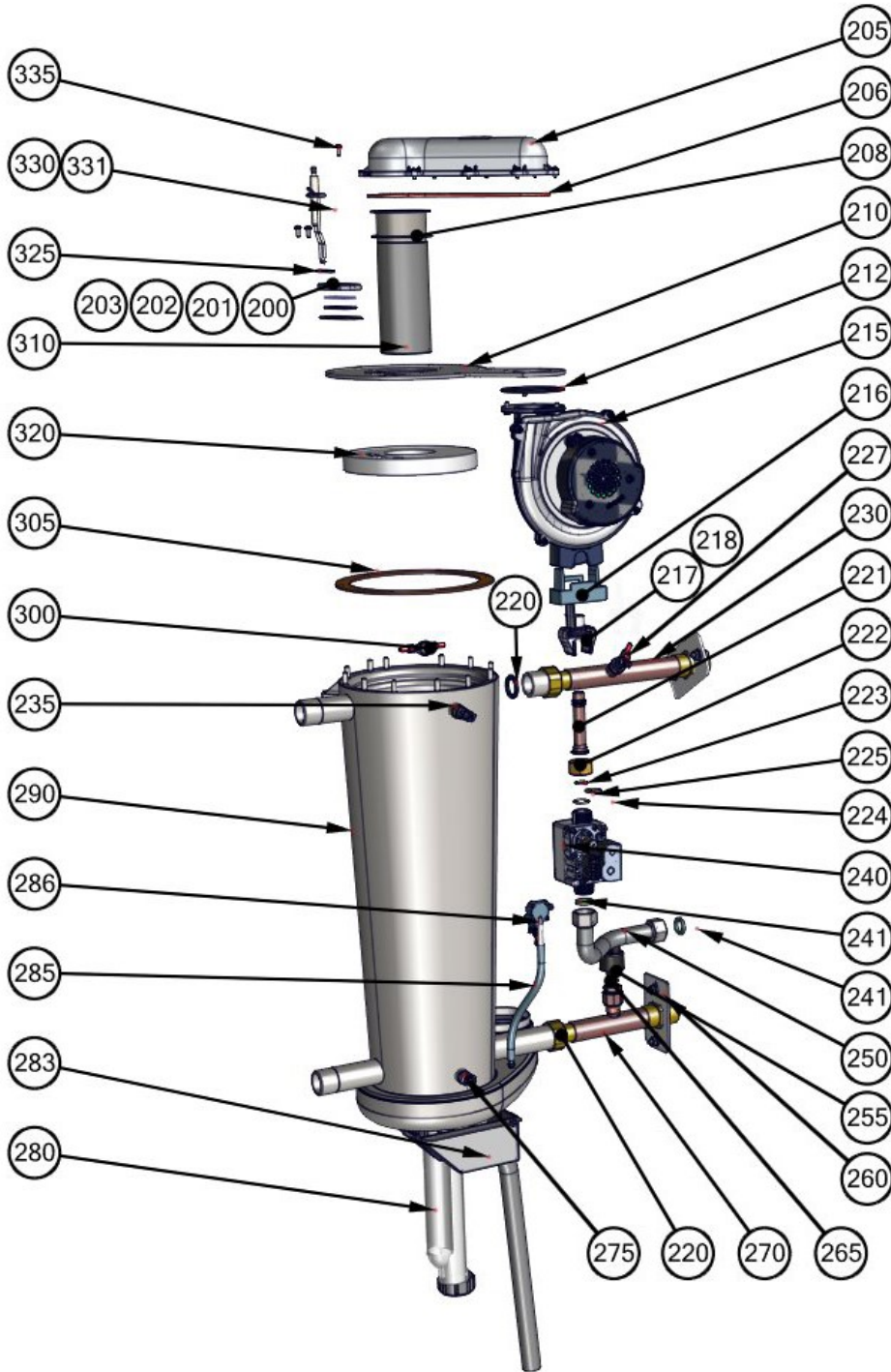


Diagram 6.1-1: Boiler assembly parts



BOM ID	IBC-No	Description	Qty
200	250-057	SIGHT GLASS HOUSING	1
201	250-059	SIGHT GLASS	1
202	255-025	SIGHT GLASS GASKET	1
203	255-023	SIGHT GLASS TO LID GASKET	1
205	250-749	FAN COUPLER	1
206	150-254	FAN COUPLER O-RING	1
208	255-069	BURNER GASKET	1
210	170-041	HEAT EXCHANGER LID	1
212	250-627	FAN GASKET	1
215	240-114	FAN	1
216	250-866	AIR METERING INSERT	1
217	240-124	VENTURI INSERT SL 14-115 G3	1
218	240-123	VENTURI INSERT SL 10-85 G3	1
220	250-458	WATER PIPE GASKET	2
221	250-792	GAS TUBE	1
222	250-811	GAS VALVE UNION NUT	1
223	150-175	ORIFICE O-RING	1
224	NG 180-108	ORIFICE 725	1
225	LP 180-119	ORIFICE 480	1
227	240-010	LWCO PROBE	1
230	250-555	SUPPLY WATER PIPE 1"	1
235	240-133	SUPPLY DUPLEX TEMP SENSOR	1
240	180-165	GAS VALVE	1
241	150-271	GAS LINE GASKET	2
250	190-159	FLEXIBLE GAS LINE	1
255	240-006	WATER PRESSURE SENSOR	1
260	250-592	WATER PIPE BRACKET	2
265	250-023	PRESSURE SENSOR BUSHING	1
270	250-454	RETURN WATER PIPE	1
275	240-134	RETURN TEMP SENSOR	1
280	180-013	CONDENSATE TRAP	1
283	250-662	CONDENSATE TRAP RETAINER	1
285	190-165	SILICON SENSOR TUBE	1
286	240-138	PRESSURE SWITCH	1
290	170-033	HEAT EXCHANGER	1
300	240-030	TEMPERATURE SWITCH	1
305	255-021	HEAT EXCHANGER LID GASKET	1
310	180-191	BURNER - 115 G3	1
320	250-763	REFRACTORY - 115 G3	1
325	250-050	IGNITOR GASKET	1
330	240-002	IGNITOR SL 14-115 G3	1
331	240-141	IGNITOR SL 10-85 G3	1
335	150-260	IGNITOR/FAN COUPLER SCREWS	10