



Ensemble™

30" Bath

71171110

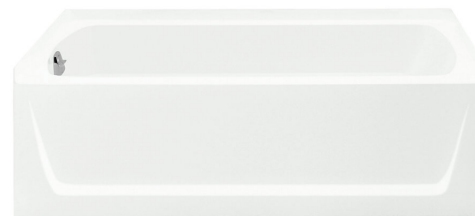


Features

- Bath and integral apron eliminates installation step.
- Durable high-gloss finish.
- 2" (51 mm) wainscot/tile ledge.
- 16" (406 mm) bath depth (floor to top of threshold).
- 60" (1524 mm) x 30" (914 mm) x 18" (457 mm) complete unit finished dimensions.

Material

- Compression molded from our exclusive solid Vikrell® material.



ADA

Codes/Standards

CSA B45.5/IAPMO Z124

ASTM E162

ASTM E662

Greenguard UL 2818 - Gold

ADA

ICC/ANSI A117.1

HUD, UM Bulletin 73



STERLING® Warranty - Fixtures Made of Solid Vikrell Material

See website for detailed warranty information.

Available Color/Finishes

Color tiles intended for reference only.

Color	Code	Description
-------	------	-------------

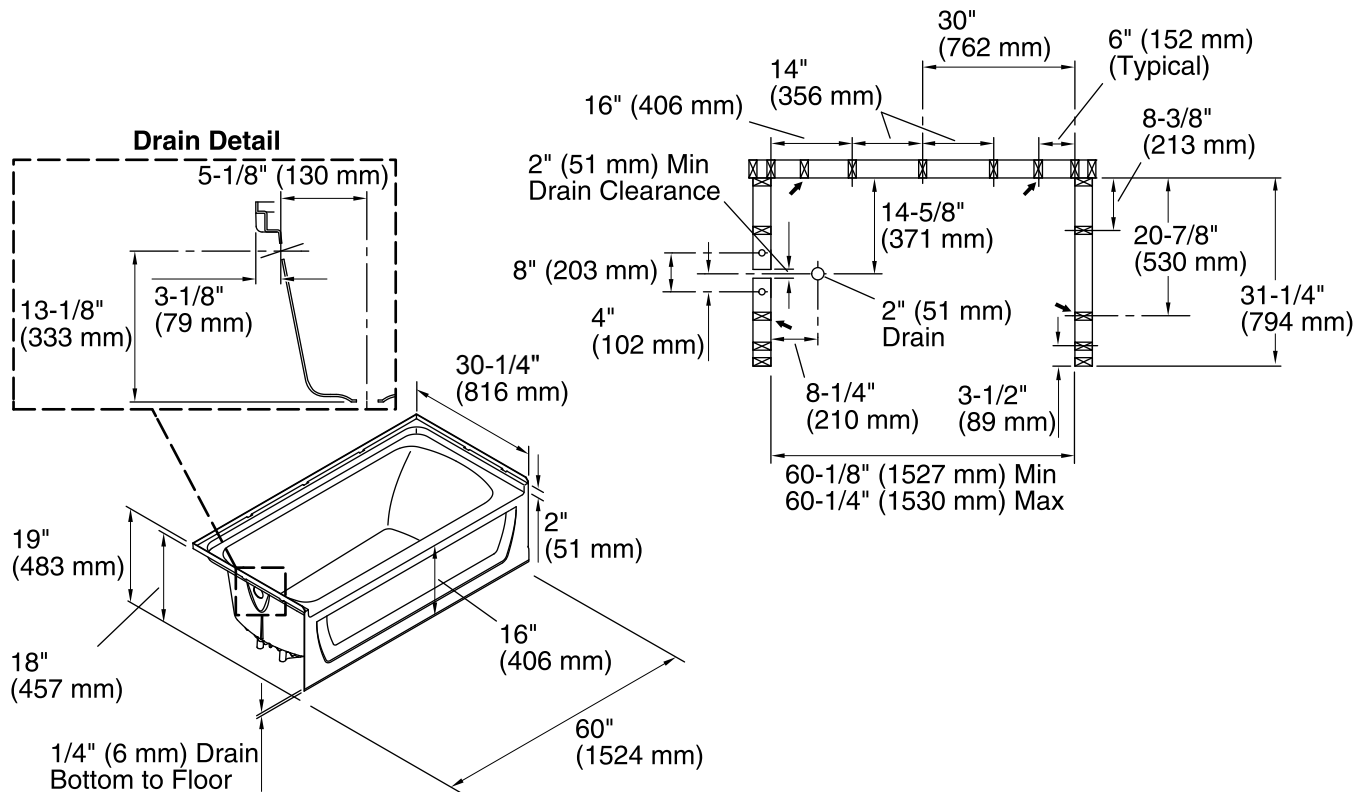
- | | | |
|--|----|---------|
|  | 0 | White |
|  | 96 | Biscuit |

USA/Canada: 1-800-STERLING (1-800-783-7546)

Kohler Co. reserves the right to make revisions without notice to product specifications.

For the most current Specification Sheet, go to www.sterlingplumbing.com.

6-13-2016 05:28



Technical Information

All product dimensions are nominal.

Installation: 3-Wall Alcove

Drain location: Left

Basin area, bottom: 45" x 20" (1143 mm x 508 mm)

Basin area, top: 53" x 23" (1346 mm x 584 mm)

Water depth: 11-1/4" (286 mm)

Water capacity: 44 gal (166.6 L)

Minimum flat for door: 2-3/4" (70 mm)

Door width required: 57-11/16" (1465 mm)

Notes

Install this product according to the installation instructions.

Studs should be positioned roughly as shown.

Double studding is recommended for pivot shower door installations.

ADA compliant when installed to the specific requirements of these regulations.