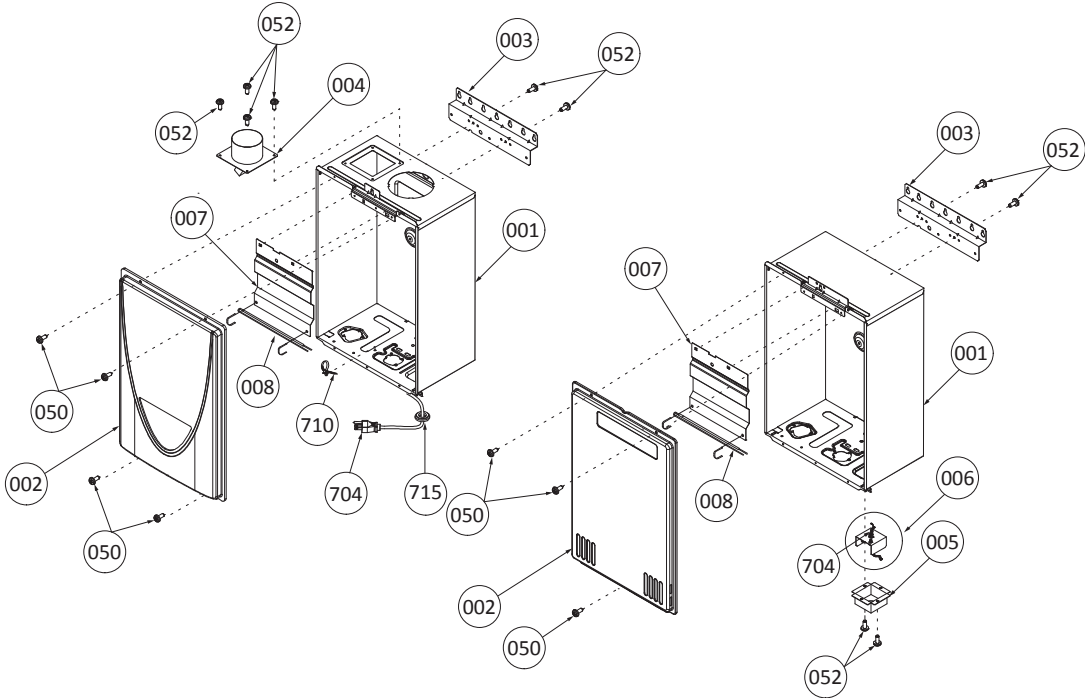
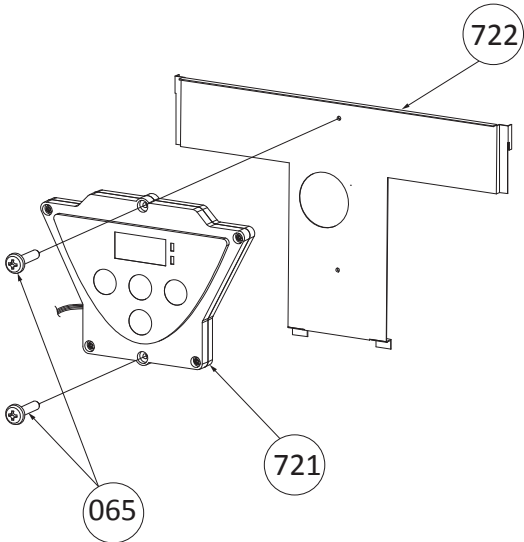


# COMPONENTS DIAGRAM

## Case assembly

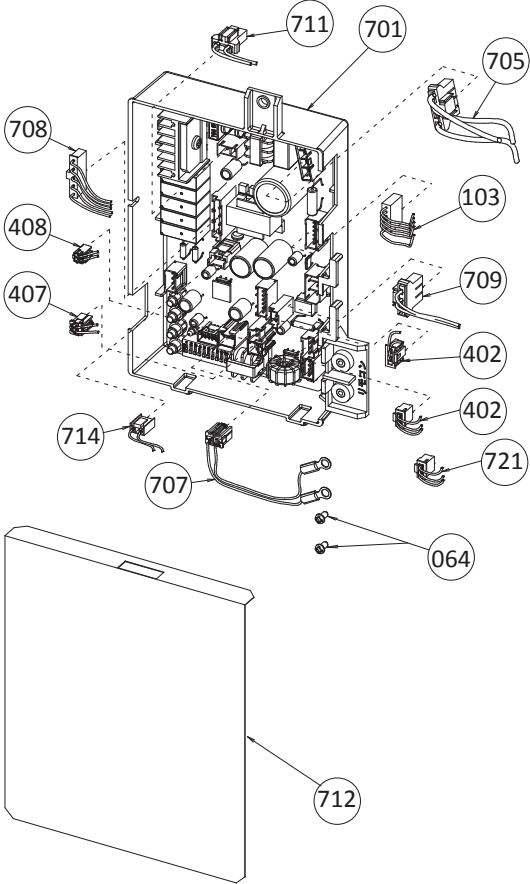


## Built-in temperature controller

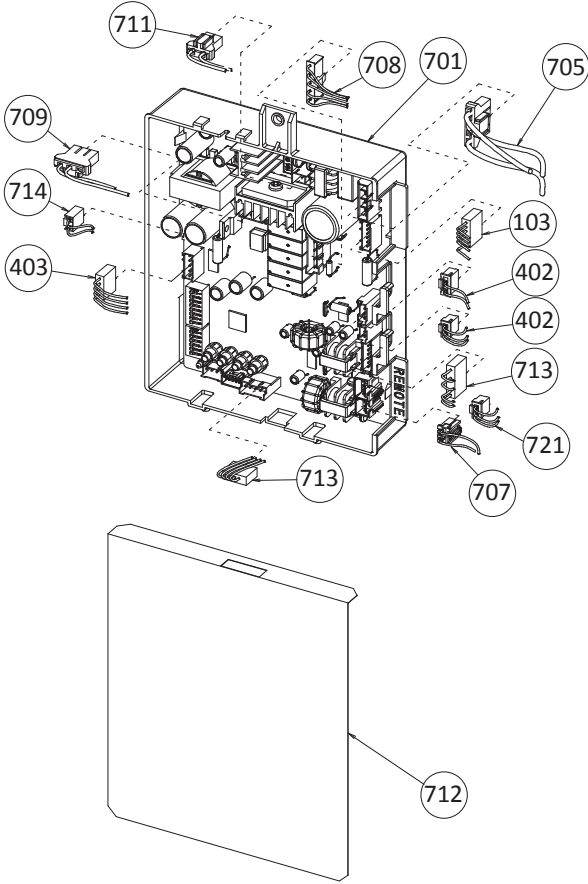


### Computer board assembly

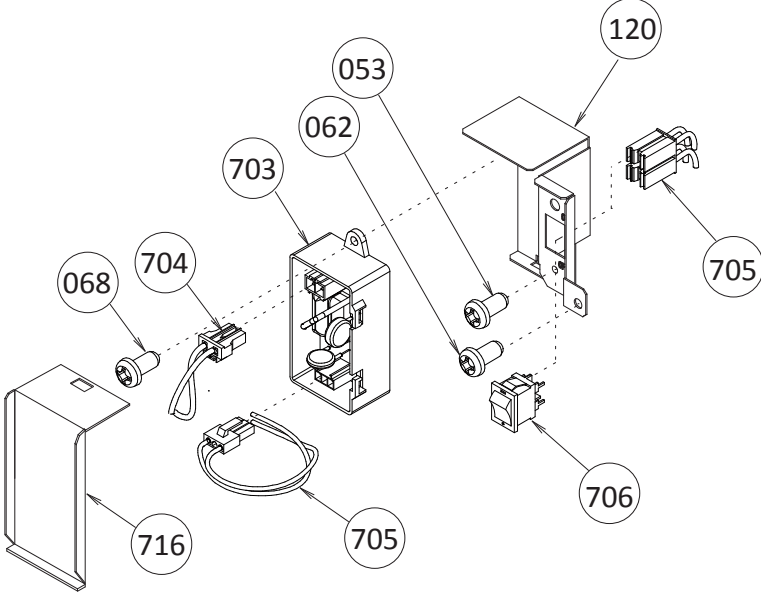
#### 110U (AT-KJr3U-IN/OS) and 310U (AT-K5U-IN/OS)



#### 510U (AT-D3U-IN/OS)



### Surge box assembly







## PARTS LIST

Item #	Description	Part #	
		110U, 310U and 510U models	AT-KJr3U-IN/OS, AT-K5U-IN/OS and AT-D3U-IN/OS
001	Case assembly for Indoor models for Outdoor models	N/A N/A	EK596 EK597
002	Front cover for Indoor models for Outdoor models	N/A N/A	EK598 EK599
003	Bracket	N/A	EK455
004	Intake air port assembly	N/A	EK600
005	Junction box	319143-510	EK190
006	Power supply cord assembly	319143-437	EKK4D
007	Back guard panel	N/A	EK601
008	Overheat-cut-off fuse for combustion chamber	319143-016	EM484
050	Truss screw M4x12 (W/Washer) SUS410	319143-025	EW000
051	Truss screw M4x10 (W/Washer) SUS410	319143-325	EW001
052	Truss screw M4x10 (Coated) SUS3	319143-026	EW002
053	Truss screw M4x10 SUS	319143-060	EW003
054	Hex head screw M4x12 (W/Washer) SUS3	319143-326	EW004
055	Hex head screw M4x8 FEZN	319143-063	EW005
056	Pan screw M4x10 FEZN	319143-062	EW006
057	Pan Screw M3x10 SUS	319143-327	EW008
058	Tapping screw M4x6 SUS3 Truss head	319143-328	EW009
059	Tapping screw M3x6 SUS3 Pan head	319143-087	EW00A
060	Screw M3x6 SUS3 Binding head	320273-330	EW00B
061	Pan screw M4x8 MFZN	319143-059	EW00D
062	Tapping screw M4x14 SUS410 Truss head	320273-491	EW00E
063	Screw M3x12 BSNI Raised counter sunk head	319143-331	EW00X
064	Screw M3x6 BSNI Binding head	319143-439	EW016
065	Pan screw M4x20 SUS410	N/A	EW018
066	Truss screw M4x8 SUS3	N/A	EW02A
067	Tap tight screw M4x12 FEZN	319143-201	EKK31
068	Truss screw M4x10 MFZN3	319143-372	EX014
101	Burner assembly	319143-555	EK554
102	Manifold with gas valve assembly NA	319143-556	EK555
103	Fan motor for Indoor models Fan motor for Outdoor models	319143-443 319143-043	EK109 EKK25
104	Fan motor plate for Indoor models Fan motor plate for Outdoor models	319143-282 319143-453	EM381 EK140
105	Burner window	320273-625	EKN58
106	Rod holder gasket	319143-560	EK559
107	Flame rod with AFR function	319143-561	EK560
108	Igniter rod	319143-562	EK561
109	Rod holder	319143-563	EK562
110	Rod cap	320273-358	EK462
111	Burner damper	100270556	EK602
112	Manifold gasket A	319143-565	EK564
113	Manifold gasket B	319143-566	EK565
114	Pressure port	319143-042	EKK2D
115	Combustion chamber tube	319143-344	EX019
116	Gas inlet	319143-050	EKK1E
117	Gas inlet ring	319143-049	EKK2Z

Item #	Description	Part #	
		110U, 310U and 510U models	AT-KJr3U-IN/OS, AT-K5U-IN/OS and AT-D3U-IN/OS
118	Burner gasket	319143-568	EK567
119	Burner holder gasket	319143-569	EK568
120	Surge box plate	319143-176	EK436
121	PCB fixing plate	N/A	EK603
122	Thermostat	319143-185	EKJ59
130	LP Conversion kit	100270585	EK604
131	Manifold gasket	319143-581	EK592
150	O-ring P18 NBR (Manifold)	N/A	EK570
151	O-ring P20 NBR (Black)	319143-057	EK042
152	Silicon ring for Outdoor models	319143-206	EKK3G
153	Rain protection plate in Exhaust chamber for Outdoor models	319143-216	EKK53
154	Exhaust port for Outdoor models	319143-219	EKK56
401	Heat exchanger assembly for 110U and 310U Indoor (AT-KJr3U-IN and AT-K5U-IN)	100270557	EK605
	for 110U and 310U Outdoor (AT-KJr3U-OS and AT-K5U-OS)	100270558	EK606
	for 510U Indoor (AT-D3U-IN)	100270559	EK607
	for 510U Outdoor (AT-D3U-OS)	100270560	EK608
402	Flow adjustment valve / Flow sensor	319143-463	EK129
403	Bypass valve for 510U (AT-D3U-IN/OS) model	319143-464	EKD58
404	Water inlet	319143-193	EKK1U
405	Inlet drain plug	319143-197	EKK2B
406	Inlet water filter	319143-198	EKK2C
407	Inlet thermistor for 110U (AT-KJr3U-IN/OS) and 310U (AT-K5U-IN/OS)	319143-214	EKK4J
	Inlet thermistor for 510U (AT-D3U-IN/OS)	319143-572	EK573
408	Outlet thermistor for 110U (AT-KJr3U-IN/OS) and 310U (AT-K5U-IN/OS)	319143-529	EK207
	Outlet thermistor for 510U (AT-D3U-IN/OS)	319143-573	EK574
409	Water outlet	319143-466	EK104
410	Outlet drain plug	319143-079	EK239
411	Heat exchanger thermistor for 510U (AT-D3U-IN/OS) model	319143-574	EK575
412	Hi-Limit switch for 110U (AT-KJr3U-IN/OS) and 310U (AT-K3U-IN/OS)	319143-228	EM212
	Hi-Limit switch for 510U (AT-D3U-IN/OS) model	319143-095	EKN34
413	Overheat-cut-off fuse for heat exchanger	319143-067	EX02A
414	Pipe heater	319143-531	EK209
415	Inlet heater	319143-468	EK105
416	Pipe inlet	100270581	EK609
417	Joint outlet	319143-576	EK577
450	Fuse fixing plate 40	N/A	EK616
451	Heater fixing plate 16	319143-125	EK031
452	Fuse fixing plate 18	N/A	EK476
453	Pipe heater fixing plate	N/A	EK610
454	O-ring P4 FKM	319143-082	EZM04
455	O-ring P6 FKM	319143-080	EZM06
456	O-ring P14 FKM	319143-100	EZM14
457	O-ring P15 FKM	319143-091	EZM15
458	O-ring P16 FKM	319143-083	EZM16
459	Fastener "4-11" for 510U (AT-D3U-IN/OS) model	319143-097	EKH30
460	Fastener "14-22"	319143-105	EKK24
461	Fastener "16A"	319143-226	EM192
462	Fastener "16-25A"	319143-205	EKK39
463	Silicon ring for Indoor models	319143-065	EKN50

Item #	Description	Part #	
		110U, 310U and 510U models	AT-KJr3U-IN/OS, AT-K5U-IN/OS and AT-D3U-IN/OS
701	Computer board for 110U (AT-KJr3U-IN/OS) model for 310U (AT-K5U-IN/OS) model for 510U (AT-D3U-IN/OS) model	100270582	EK611
		100270583	EK612
		100270584	EK613
702	Remote fixing plate for 510U (AT-D3U-IN/OS)	319143-484	EK152
703	Surge box	320273-128	EK280
704	120 VAC wire for Indoor models for Outdoor models	319143-427	EK146
		319143-138	EKK3C
705	Switch wire	N/A	EK614
706	120 VAC Power ON-OFF switch	N/A	EK590
707	Remote controller wire for 110U (AT-KJr3U-IN/OS) and 310U (AT-K5U-IN/OS) for 510U (AT-D3U-IN/OS)	319143-490	EK189
		319143-491	EK165
708	Gas valve wire	N/A	EK585
709	Flame rod wire	N/A	EK586
710	Cable strap	319143-425	EW022
711	Igniter assembly	319143-479	EK153
712	Computer board cover	319143-274	EM329
713	24V cables for 510U (AT-D3U-IN/OS)	N/A	EK587
714	Proportional gas valve wire	319143-481	EK112
715	Rubber grommet for Indoor models	319143-426	EK184
716	Surge box cover	N/A	EK615
721	Temperature controller	319143-502	EK173
722	Controller fixing plate	N/A	EK588
N/A	Communication cable for linking	320273-585	EKK0J