



Compass®
13-1/4" round drop-in/undermount bathroom sink, no
overflow
K-2298

Features

- Petite round design
- No faucet holes; requires wall- or counter-mount faucet

Material

- Vitreous china

Installation

- Drop-in or undermount

Recommended Products/Accessories

- K-9018 P-Trap
- K-23726 Drain treatment
- K-23725 Cast iron cleaner

Included Components

- 1193643 Basin clamps



ADA **CSA B651**

Codes/Standards

ASME A112.19.2/CSA B45.1
ADA
ICC/ANSI A117.1
CSA B651

KOHLER® Vitreous China Bathroom Sink Lifetime Limited Warranty

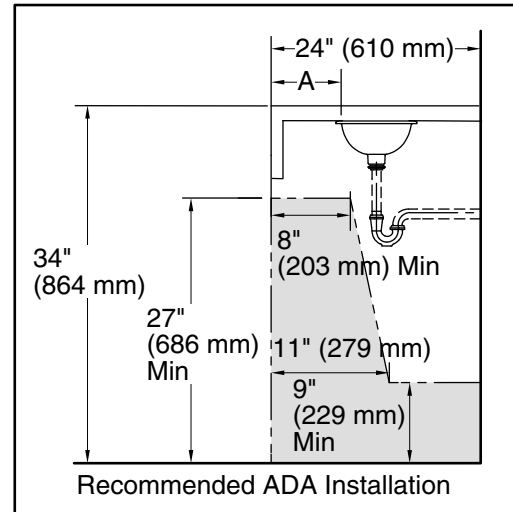
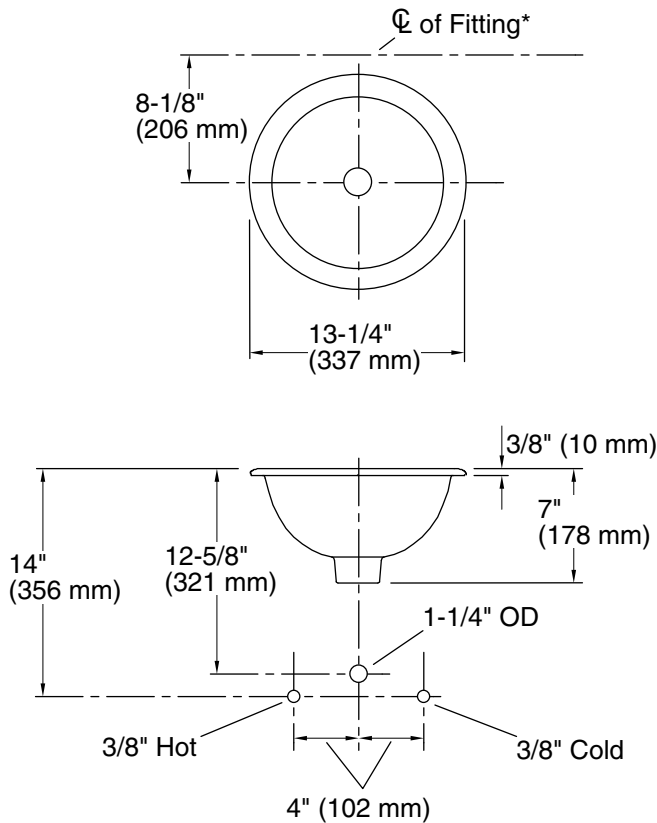
See website for detailed warranty information.

Available Colors/Finishes

Color tiles intended for reference only.

Color Code Description

 0 White



	A
Drop-in	4-3/8" (137 mm)
Under-mount (shown)	4-3/8" (137 mm)

Technical Information

All product dimensions are nominal.

Basin configuration: Single Bowl

Bowl area (Only): Length: 10-5/8" (270 mm)
 Width: 10-5/8" (270 mm)
 Bowl depth: 5" (127 mm)
 Water depth: 4-3/4" (121 mm)

With overflow: No

Drain hole: 1-3/4" (44 mm)

Template: 116214-7, required, included

Notes

Install this product according to the installation instructions.

Spout must be a minimum of 4-1/2" (114 mm) long for adequate clearance into bathroom sink.

Supplied basin clamp assembly for under-mount installation requires 1" (25 mm) minimum countertop thickness. Installer must supply hardware for thinner countertops.

Product dimensions are nominal and may vary per ASME A112.19.2 tolerances.

ADA, CSA B651 compliant when installed to the specific requirements of these regulations.