

### Features

- 5-1/2 (140 mm) centers
- 1/4-turn full brass ceramic valve
- 2.0 gpm (7.6 lpm) maximum flow rate at 60 psi (4.14 bar)
- Vandal-resistant aerator
- 2-7/16" vandal-resistant metal lever handles
- Includes pop-up drain with lift rod and tailpiece

### Material

- Solid-brass construction with thick chrome plating for rough commercial applications

### Installation

- Includes yoke for shelf-back installation

### Recommended Products/Accessories

K-23726 Drain treatment



ADA

CSA B651

OBC

### Codes/Standards

ASME A112.18.1/CSA B125.1

NSF/ANSI/CAN 61

NSF/ANSI/CAN 372

DOE - Energy Policy Act 1992

ADA

ICC/ANSI A117.1

CSA B651

OBC

### KOHLER<sup>®</sup> One-Year Limited Warranty

See website for detailed warranty information.

### Available Colors/Finishes

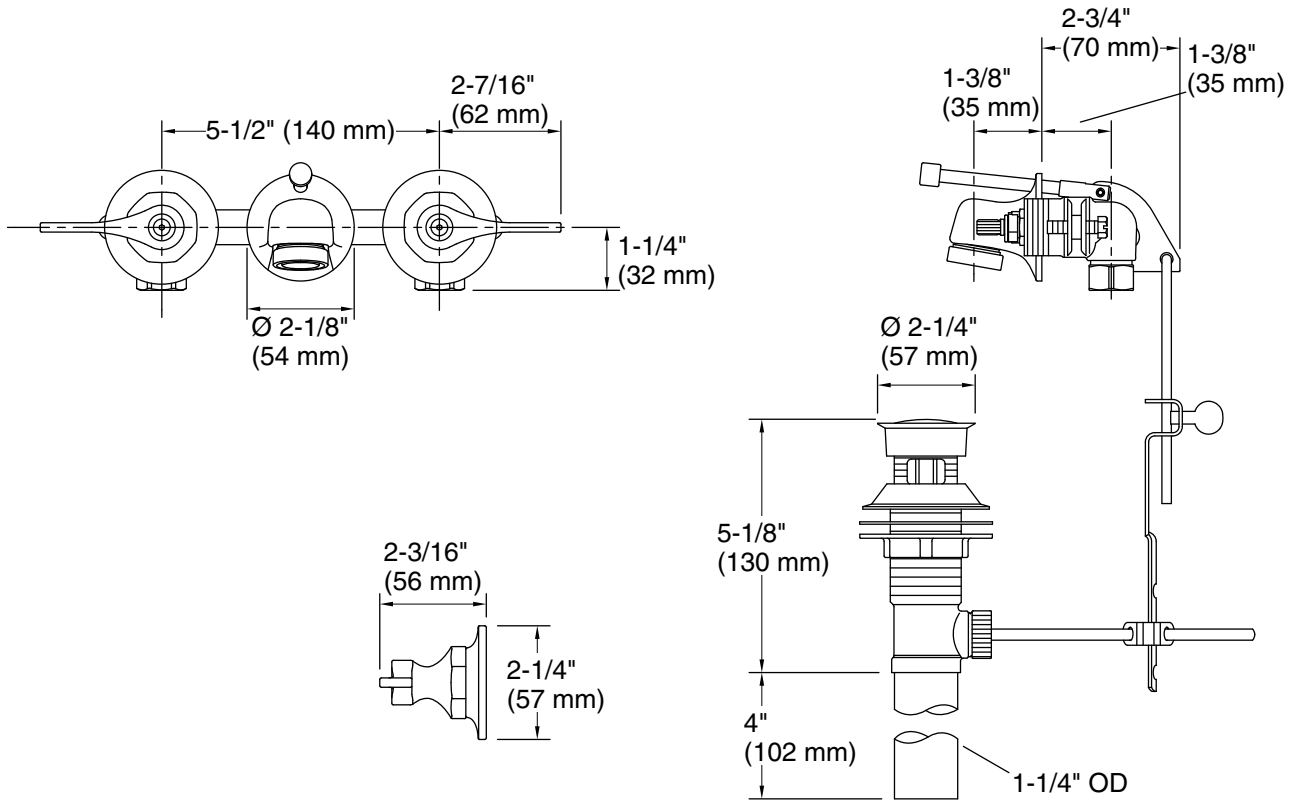
*Color tiles intended for reference only.*

Color	Code	Description
-------	------	-------------



CP

Polished Chrome



### Technical Information

All product dimensions are nominal.

Faucet flow rate: 2 gal/min (7.6 l/min)

Drain included: Yes

Drain tailpiece included: Yes

### Spout:

Spout reach: 1-1/4" (32 mm)

Handle clearance: 2-7/16" (62 mm)

### Notes

Install this product according to the installation instructions.

ADA compliant for handles only.

ADA, OBC, CSA B651 compliant when installed to the specific requirements of these regulations.