



## Ensemble™

60" x 32" ED Shower w/ Backer Boards  
72180126



### Features

- Modular design allows it to be moved around corners and through doorways with ease.
- Durable high gloss finish.
- Convenient shelves provide generous storage space.
- Shaving ledge/foot rest for added comfort.
- Curve wall design for a smooth look and feel.
- Wall surround includes backer boards for future grab bar installation.
- End drain makes it perfect for replacing an existing bath without moving the drain location.

### Material

- Compression molded from our exclusive Vikrell material.

### Installation

- Tongue-and-groove four piece modular design allows for easy snap together installation.
- Dry-Block seal and channeled water containment system create watertight seams.
- 60" (1524 mm) x 32" (812 mm) x 74-3/4" (1899 mm) complete unit finished dimensions.

### Components

Product includes:

- 72181120 60" x 32" End Drain Shower Base
- 72232106 60" Back Wall w/Backer Boards
- 72185106 32" Shower End Wall Set w/Backer Board



### Codes/Standards



CSA B45.5/IAPMO Z124  
ASTM E162  
ASTM E662  
Greenguard UL 2818 - Gold  
HUD, UM Bulletin 73

### STERLING® Warranty - Fixtures Made of Solid Vikrell Material

See website for detailed warranty information.

### Available Color/Finishes

*Color tiles intended for reference only.*

Color	Code	Description
	0	White
	96	KOHLER Biscuit

USA/Canada: 1-800-STERLING (1-800-783-7546)

Kohler Co. reserves the right to make revisions without notice to product specifications.

For the most current Specification Sheet, go to [www.sterlingplumbing.com](http://www.sterlingplumbing.com).

11-21-2016 04:04

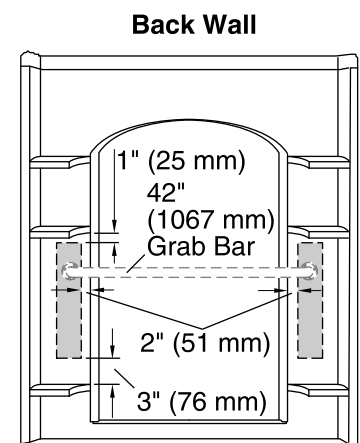
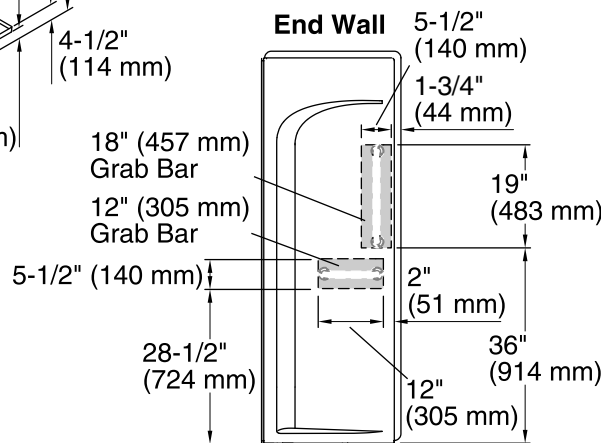
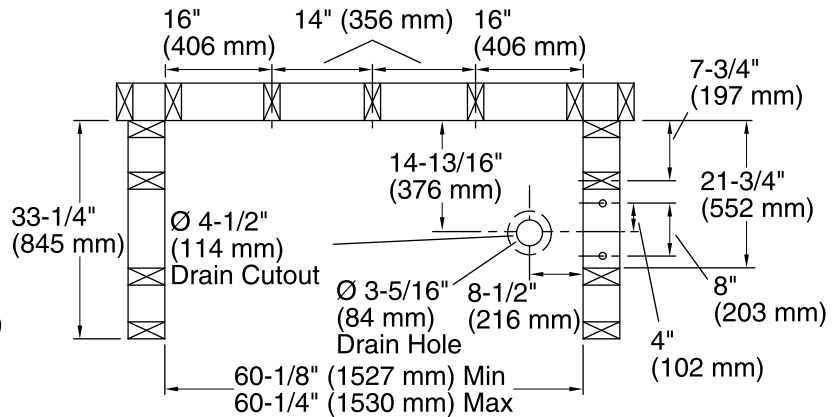
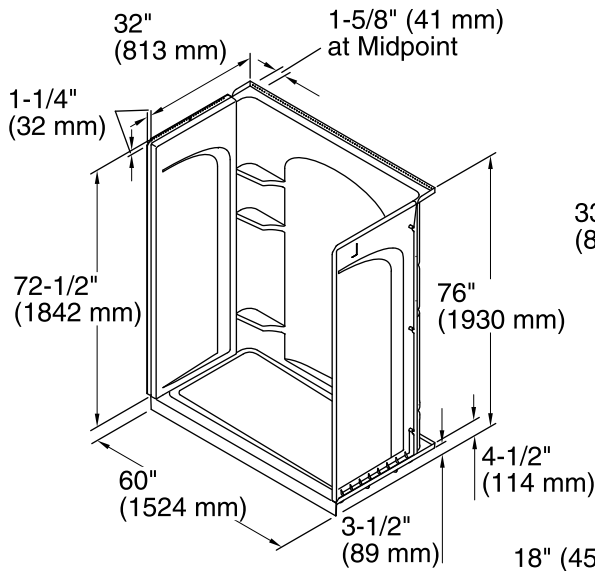
# STERLING

A KOHLER COMPANY

## Ensemble™

### 60" x 32" ED Shower w/ Backer Boards

### 72180126



**Note:** Right and left end walls are the same, only mirrored.

Backer board locations

### Technical Information

All product dimensions are nominal.

Installation: 3-Wall Alcove

Drain location: Right

Drain hole diameter: 3-5/16" (84 mm)

Weight: 125.4 lbs (56.9 kg)

Minimum flat for door: 3" (76 mm)

Threshold height: 3-1/2" (89 mm)

Door height required: 70-1/2" (1791 mm)

Door width required: 56-5/8" (1438 mm)

### Notes

Install this product according to the installation instructions.

Studs should be positioned as shown.

Double studding is recommended for pivot shower door installations.

USA/Canada: 1-800-STERLING (1-800-783-7546)

Kohler Co. reserves the right to make revisions without notice to product specifications.

For the most current Specification Sheet, go to [www.sterlingplumbing.com](http://www.sterlingplumbing.com).

11-21-2016 04:04