

Features

- Brass construction.
- One-piece, self-contained ceramic disc valve allows both volume and temperature control.
- Temperature memory allows faucet to be turned on and off at any temperature setting.
- High-temperature limit setting for added safety.
- Metal pop-up drain with lift rod and tailpiece.
- 5-1/8" (130 mm) spout reach.
- Stationary spout.
- Single-hole installation.
- Includes a 6-1/2" (152 mm) escutcheon plate for three-hole bathroom sinks.
- 1.5 gal/min (5.7 l/min) maximum flow rate [max at 60 psi (4.14 bar)].



For complete listing of available colors, go to kohler.com.



Codes/Standards

ASME A112.18.1/CSA B125.1

NSF 61

NSF 372

ADA

ICC/ANSI A117.1

DOE - Energy Policy Act 1992

EPA WaterSense®

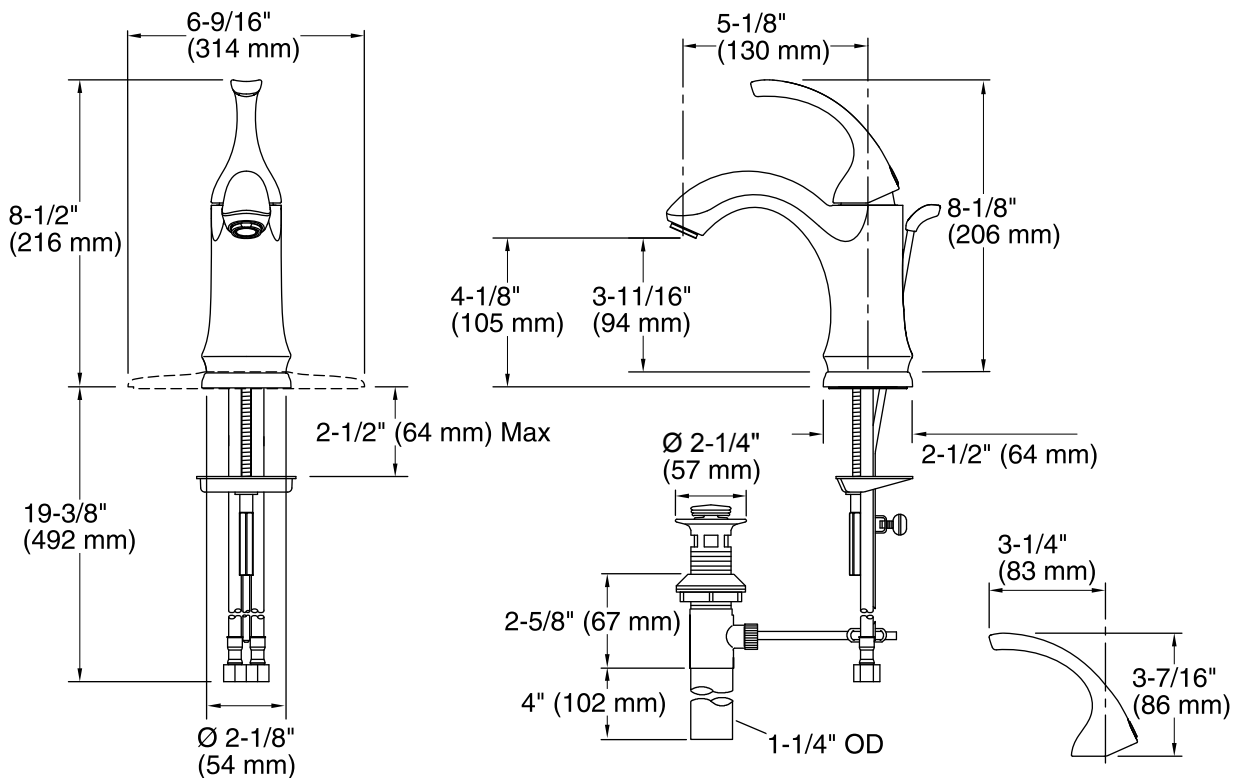
All applicable US Federal and State material regulations

KOHLER® Faucet Lifetime Limited Warranty

See website for detailed warranty information.

Product Specification

Bathroom sink faucet shall be 5-1/8" (130 mm) spout reach and 4-1/8" (105 mm) spout outlet height. Bathroom sink faucet shall be brass construction. Bathroom sink faucet shall be lever handles. Bathroom sink faucet shall be single-hole installation and include a 6-1/2" (152 mm) escutcheon plate for three-hole bathroom sinks. Bathroom sink faucet shall be KOHLER Model K-10215-4.



Pop-Up Drain

Technical Information

All measurements are nominal.

Spout reach: 5-1/8" (130 mm)

Drain included: YES

Drain tailpiece included: YES

Faucet:

Flow rate: 1.5 gal/min (5.7 l/min)

Pressure: 60 psi (4.1 bar)

Installation Notes

Install this product according to the installation guide.

ADA compliant when installed to the specific requirements of these regulations.