

AIR SWITCH INSTALLATION

Contemporary Model # 3010

Traditional Model # 4010

Transitional Model # 8510

BEFORE YOU BEGIN YOUR INSTALLATION:



Turn off water supply.

REQUIRED TOOLS:



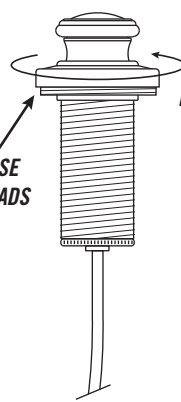
1. Phillips Screwdriver

PARTS INCLUDED:

USM1375

Undersink Mounting Hardware
(1-1/4")

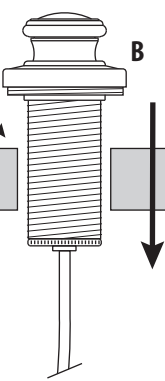
1.



EXPOSE THREADS

Before inserting air switch into hole, loosen the switch base (A) until threads are exposed.

2.

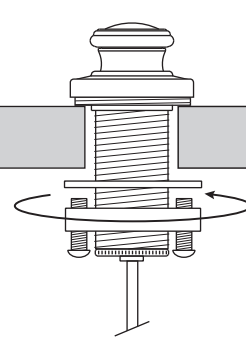


1-1/2" HOLE

COUNTER OR SINK

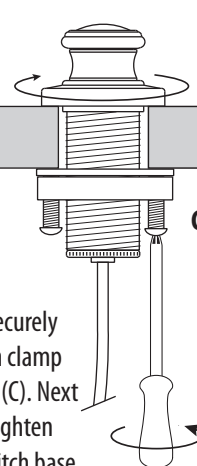
Fit air switch (B) through 1-1/2" hole on counter or sink. (No plumbers putty is required. O-ring seals base).

3.



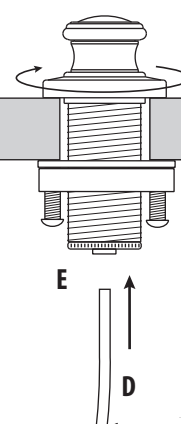
Slide washer and thread the clamp nut onto threaded shroud. Tighten nut snug to underside of sink or counter.

4.



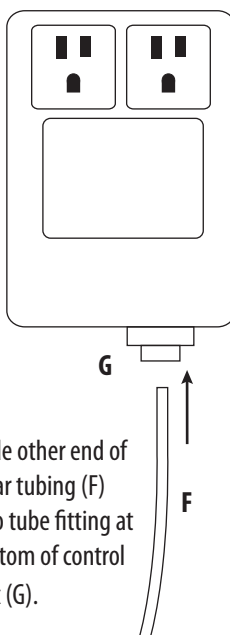
First, securely tighten clamp screws (C). Next hand tighten the switch base until snug.

5.



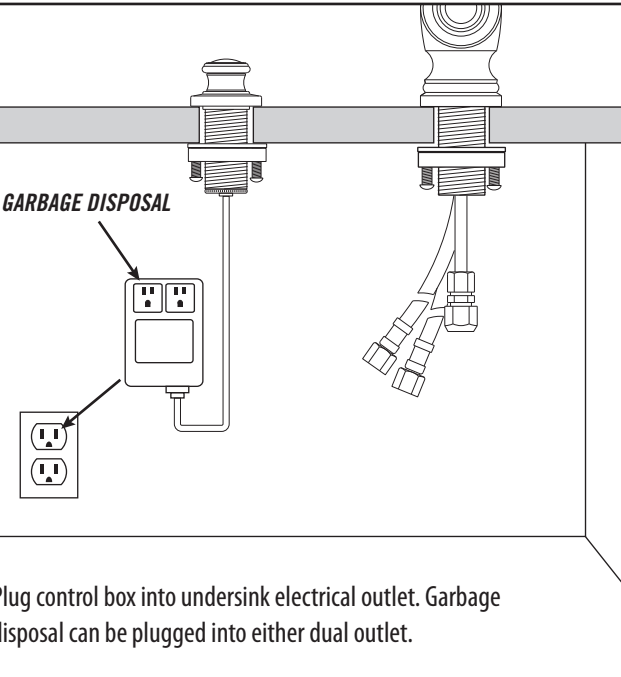
Slide clear tubing (D) into tube fitting (E) at bottom of air switch.

6.



Slide other end of clear tubing (F) into tube fitting at bottom of control box (G).

7.



GARBAGE DISPOSAL

Plug control box into undersink electrical outlet. Garbage disposal can be plugged into either dual outlet.