



# Composed® | K-73148

Vertical toilet paper holder

## Features

- Vertical holder makes changing toilet paper quick and simple
- Coordinates with faucets and accessories in the Composed collection



## Available Colors/Finishes

*Color tiles intended for reference only.*

- BGP Vibrant Brushed Graphite



1-800-4KOHLER (1-800-456-4537)  
Kohler Co. reserves the right to make revisions without notice to product specifications.  
For the most current specification sheet, go to [www.kohler.com](http://www.kohler.com) USA or [www.kohler.ca](http://www.kohler.ca) Canada.  
4-15-2026 5:7 - US-CA

THE BOLD LOOK  
OF **KOHLER**

---

## Codes/Standards

*None Applicable*

---

## Material

- Premium metal construction for durability and reliability
  - KOHLER finishes resist corrosion and tarnishing
- 

## Recommended Products/Accessories

K-23723 Faucet cleaner

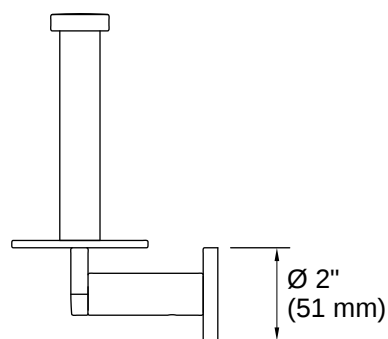
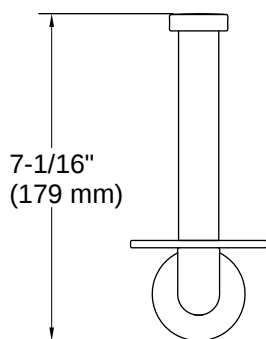
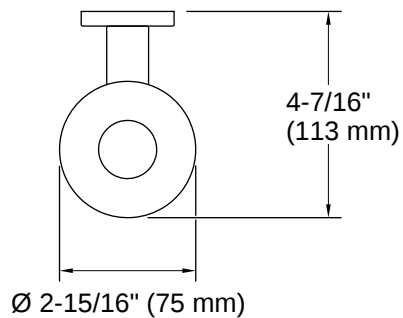
---

## Warranty

*See website for detailed warranty information.*

KOHLER® Faucet Lifetime Limited Warranty





## Installation Notes

*Install this product according to the installation instructions.*

