



Catalan® | K-2939-PG

20-1/8" W x 36-1/8" H aluminum single-door medicine cabinet with 170 degree hinge

Features

- Four adjustable tempered-glass shelves
- Full-overlay mirrored door
- Mirrors on back of door and interior back of cabinet
- Multiple cabinets can be joined horizontally with ganging kit (sold separately)
- Requires K-2878 side mirror kit (sold separately) for surface mount installation



Available Colors/Finishes

Color tiles intended for reference only.

- SAA Satin Anodized Aluminum



1-800-4KOHLER (1-800-456-4537)
Kohler Co. reserves the right to make revisions without notice to product specifications.
For the most current specification sheet, go to www.kohler.com USA or www.kohler.ca Canada.
4-15-2026 4:32 - US-CA

THE BOLD LOOK
OF **KOHLER**®

Codes/Standards

None Applicable

Technical Information

All product dimensions are nominal.

Lighting Included: No
Mirror Type: Polished Edge

Cutout
Width: 19-7/16" (494 mm)
Height: 35-3/8" (899 mm)
Depth: 4" (102 mm)

Material

- Anodized aluminum construction with a durable rustproof and chip-resistant finish
-

Recommended Products/Accessories

K-23723 Faucet cleaner

Required Products/Accessories

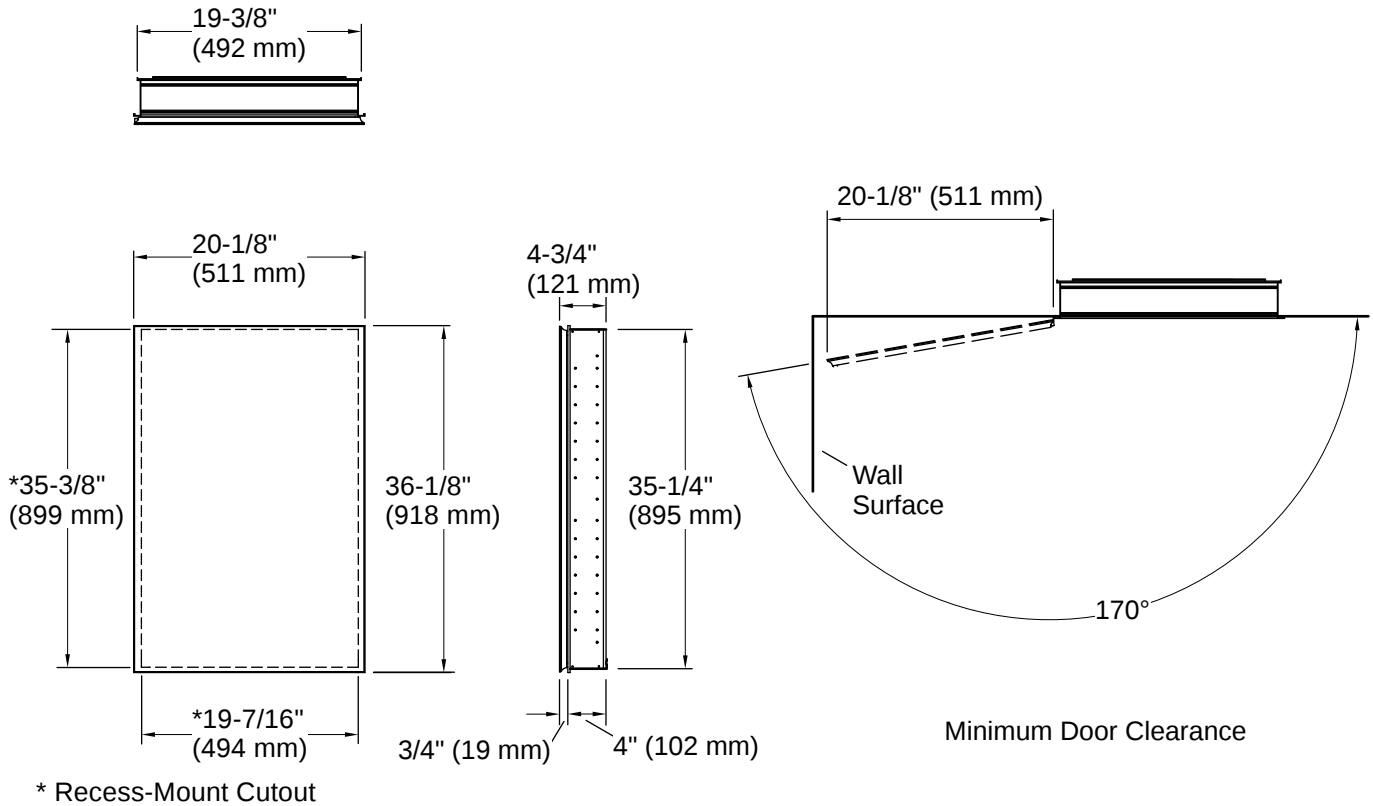
- K-2878 Mirrored side kit for Catalan® medicine cabinets
-

Warranty

See website for detailed warranty information.

KOHLER® One-Year Limited Warranty





Installation

- Can be installed with left- or right-hand swing
- Includes mounting hardware for surface or recessed installation

Installation Notes

Install this product according to the installation instructions.

When determining the height of the medicine cabinet, ensure the mirrored door will clear all obstacles (such as a faucet). A minimum distance of 3" (76 mm) is required.
 For surface-mount, use anchors (not provided) rated for the loaded weight of this product.

