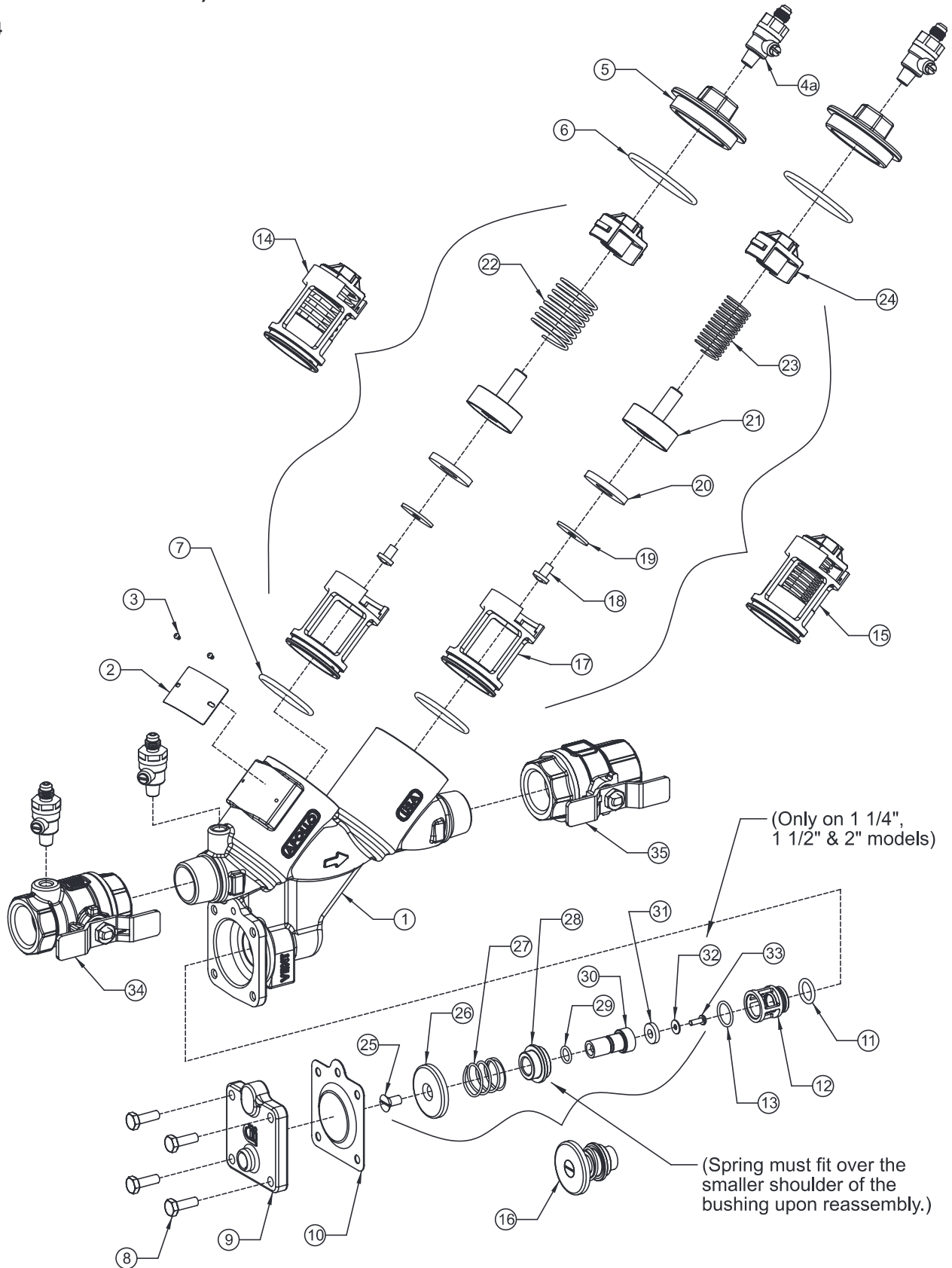


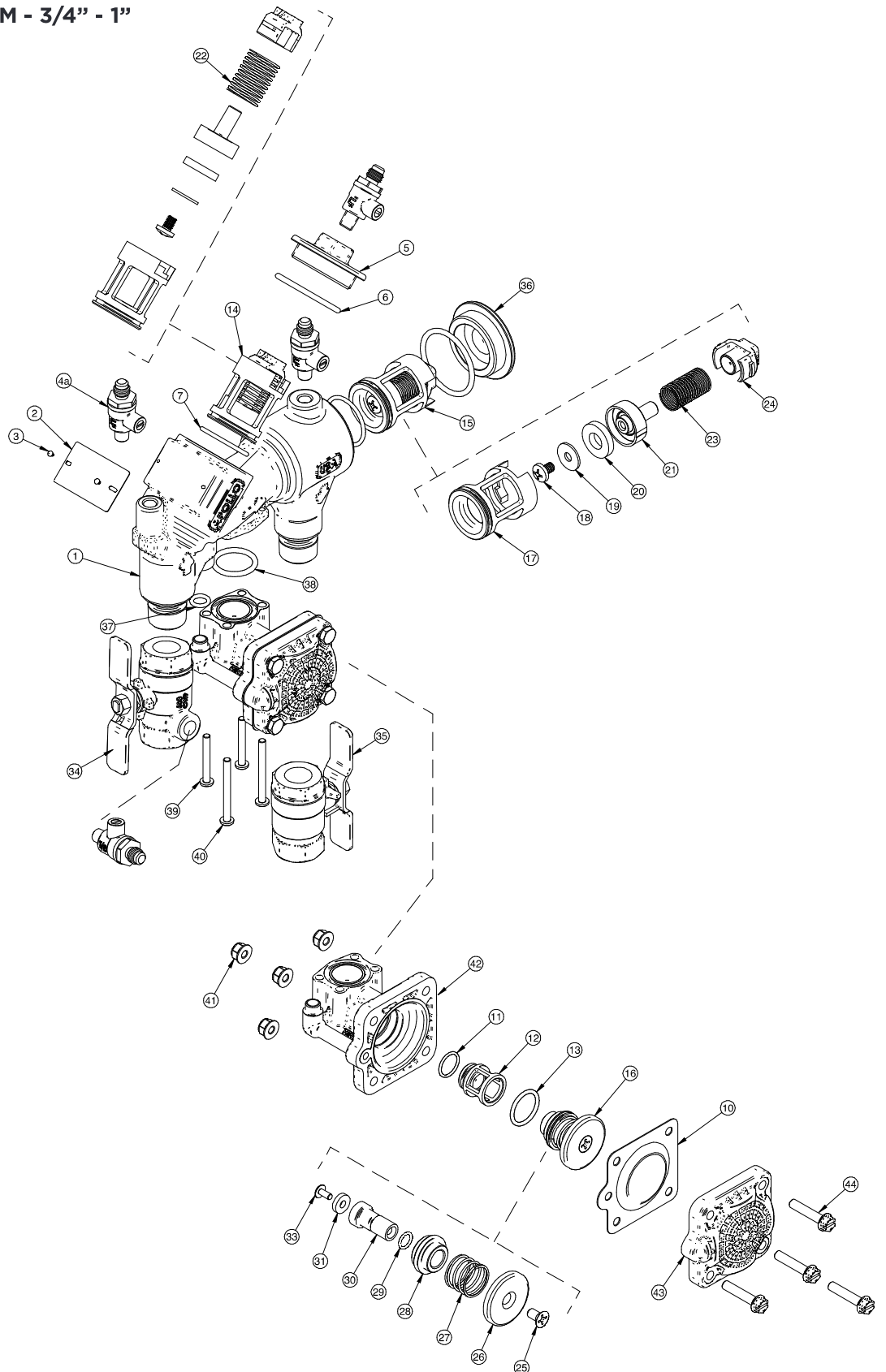
PART NUMBER DIAGRAM - 1/2" - 2"

FIGURE 4



PART NUMBER DIAGRAM - 3/4" - 1"

FIGURE 5



RP4A AND RPLF4A PARTS LIST

ITEM #	DESCRIPTION	STD. OR LF	QTY.	PART NUMBER					
				1/2"	3/4"	1"	1-1/4"	1-1/2"	2"
1	Body	All	1	Consult Factory					
2	Label Plate	All	1	Consult Factory					
3	Label Plate Tacks	All	2	I-2614-00					
4	Test Cock M x F (81 metal)	Std	4	78-290-01 (Optional)			78-291-01 (Standard)		
	Test Cock M x F (Lead Free)	LF		78LF-290-01 (Optional)			78LF-291-01 (Standard)		
4a	Test Cock SAE (81 metal)	Std		78-292-01 (Standard)			78-293-01 (Optional)		
	Test Cock SAE (Lead Free)	LF		78LF-292-01 (Standard)			78LF-293-01 (Optional)		
5	Cap (81 metal)	Std	2	F-3846-05	F-3822-05	F-3848-05	F-3850-05	F-3854-05	
	Cap (Lead Free)	LF		F-3847-05	F-3823-05	F-3849-05	F-3851-05	F-3855-05	
6	Cap O-Ring	All	2	D-4881-00	D-4812-00	D-4884-00	D-4885-00	D-4888-00	
7	Check Module O-Ring	All	2	D-4880-00	D-4744-00	D-4882-00	D-4884-00	D-4885-00	
8	RV Cover Bolts	All	(QTY)	B-1793-00 (4)			B-1751-00 (6)	B-1751-00 (7)	
9	RV Cover (81 metal)	Std	1	F-3890-05			F-3894-05	F-3892-05	
	RV Cover (Lead Free)	LF		F-3891-05			F-3895-05	F-3893-05	
10	RV Diaphragm	All	1	D-2632-00			D-2505-00	D-4909-00	
11	RV Seat O-Ring	All	1	D-4892-00			D-4910-00	D-4903-00	
12	RV Seat	All	1	L-7894-00			L-8038-00	L-8039-00	
13	RV Bushing Face O-Ring	All	1	D-4893-00			D-4744-00	D-4904-00	
14	1st Chk S-Assy (see below)	All	1	W-9207-05	W-9208-05	W-9209-05	W-9210-05	W-9211-05	
15	2nd Chk S-Assy (see below)	All	1	W-9075-05	W-9003-05	W-9074-05	W-9159-05	W-9204-05	
16	RV S-Assy (81) (see below)	Std	1	W-9223-05			W-9244-05	W-9245-05	
	RV S-Assy (LF) (see below)	LF		W-9586-05			W-9587-05	W-9588-05	

Individual parts are only available for bulk sales. Please refer to the appropriate repair kits on pages 13-14.

CHECK MODULE SUB-ASSEMBLY PARTS LIST

ITEM #	DESCRIPTION	STD. OR LF	QTY.	PART NUMBER						
				1/2"	3/4"	1"	1-1/4"	1-1/2"	2"	
17	Check Seat	All	1	L-7815-00	L-7727-00	L-7813-00	L-7979-00	L-7983-00		
18	Screw	All	1	B-3279-00	B-1750-00					
19	Disc Retaining Washer	All	1	E-2372-00	E-2841-00	E-2933-00	E-2860-00	E-2876-00		
20	Seat Disc	All	1	D-4771-00	D-4743-00	D-4770-00	D-4853-00	D-4873-00		
21	Poppet	All	1	K-4491-00	K-4471-00	K-4483-00	K-4511-00	K-4512-00		
22	Spring 1st Check	All	1	A-2514-00	A-2515-00	A-2516-00	A-2517-00	A-2518-00		
23	Spring 2nd Check			A-2505-00	A-2503-00	A-2510-00	A-2511-00	A-2512-00		
24	Spring Retainer	All	1	L-7814-00	L-7726-00	L-7812-00	L-7980-00	L-7984-00		

Individual parts are only available for bulk sales. Please refer to the appropriate repair kits on pages 13-14.

RELIEF VALVE MODULE SUB-ASSEMBLY PARTS LIST

ITEM #	DESCRIPTION	STD. OR LF	QTY.	PART NUMBER					
				1/2"	3/4"	1"	1-1/4"	1-1/2"	2"
25	RV Diaphragm Plate Screw	All	1	B-1749-00					
26	RV Diaphragm Plate	All	1	E-2222-00			D-2506-00	E-2891-00	
27	RV Spring	All	1	A-2542-00			A-2543-00	A-2519-00	
28	RV Bushing (Standard)	Std	1	I-8976-00			I-9053-00	I-9054-00	
	RV Bushing (Lead Free)	LF		I-9225-00			I-9226-00	I-9277-00	
29	RV Stem O-Ring	All	1	D-4891-00			D-4927-00	D-4902-00	
30	RV Stem	All	1	G-4791-00			G-3212-00	G-4816-00	
31	RV Seat Disc	All	1	D-4833-00			D-4911-00	D-4912-00	
32	RV Seat Disc Washer	All	1	NONE			E-2280-00	E-2890-00	
33	RV Seat Disc Screw	All	1	B-3254-00			B-3280-00	B-1750-00	

Individual parts are only available for bulk sales. Please refer to the appropriate repair kits on pages 13-14.

SHUT-OFF VALVES

INLET AND OUTLET SHUT-OFF VALVES

ITEM #	DESCRIPTION	STD. OR LF	QTY.	PART NUMBER					
				1/2"	3/4"	1"	1-1/4"	1-1/2"	2"
34	T2 Inlet NPT Ball Valve w/ "T" Handle (Standard)	81 Mtl	1	77B-103-85	77B-104-83	77B-105-83	Not Available		
		LF		77BLF-103-85	77BLF-104-83	77BLF-105-83	Not Available		
	T4 Inlet Union Ball Valve w/ "T" Handle (Option)	81 Mtl		77B-303-85	77B-304-83	77B-305-83	Not Available		
		LF		77BLF-303-85	77BLF-304-83	77BLF-305-83	Not Available		
	T2 Inlet NPT Ball Valve w/ Lever Handle (Standard)	81 Mtl		Not Available			77B-106-84	77B-107-84	77B-108-84
		LF		Not Available			77BLF-106-84	77BLF-107-84	77BLF-108-84
	T4 Inlet Union Ball Valve with Lever Handle (Option)	81 Mtl		Not Available			77B-306-84	77B-307-84	77B-308-84
		LF		Not Available			77BLF-306-84	77BLF-307-84	77BLF-308-84
	T2 Inlet NPT Ball Valve with Locking "T" Handle (Option)	81 Mtl		Not Available	77B-104-91	77B-105-91	Not Available		
		LF			77BLF-104-91	77BLF-105-91	Not Available		
	T4 Inlet Union Ball Valve with Locking "T" Handle (Option)	81 Mtl		Not Available	77B-304-91	77B-305-91	Not Available		
		LF			77BLF-304-91	77BLF-305-91	Not Available		
T2 Inlet NPT Ball Valve with Locking Lever Handle (Option)	81 Mtl	Not Available			77B-106-86	77B-107-86	77B-108-86		
	LF	Not Available			77BLF-106-86	77BLF-107-86	77BLF-108-86		
T4 Inlet Union Ball Valve with Locking Lever Handle (Option)	81 Mtl	Not Available			77B-306-86	77B-307-86	77B-308-86		
	LF	Not Available			77BLF-306-86	77BLF-307-86	77BLF-308-86		
35	T2 Outlet NPT Ball Valve with "T" Handle (Standard)	81 Mtl	1	77C-103-A4	77C-104-83	77C-105-83	Not Available		
		LF		77CLF-103-85	77CLF-104-83	77CLF-105-83	Not Available		
	T4 Outlet Union Ball Valve with "T" Handle (Option)	81 Mtl		77C-303-85	77C-304-83	77C-305-83	Not Available		
		LF		77CLF-303-85	77CLF-304-83	77C-305-83	Not Available		
	T2 Outlet NPT Ball Valve with Lever Handle (Standard)	81 Mtl		Not Available			77C-106-84	77C-107-84	77C-108-84
		LF		Not Available			77CLF-106-84	77CLF-107-84	77CLF-108-84
	T4 Outlet Union Ball Valve with Lever Handle (Option)	81 Mtl		Not Available			77C-306-84	77C-307-84	77C-308-84
		LF		Not Available			77CLF-306-84	77CLF-307-84	77CLF-308-84
	T2 Outlet NPT Ball Valve with Locking "T" Handle (Option)	81 Mtl		Not Available	77C-104-91	77C-105-91	Not Available		
		LF			77CLF-104-91	77CLF-105-91	Not Available		
	T4 Outlet Union Ball Valve with Locking "T" Handle (Option)	81 Mtl		Not Available	77C-304-91	77C-305-91	Not Available		
		LF			77CLF-304-91	77CLF-305-91	Not Available		
T2 Outlet NPT Ball Valve with Locking Lever Handle (Option)	81 Mtl	Not Available			77C-106-86	77C-107-86	77C-108-86		
	LF	Not Available			77CLF-106-86	77CLF-107-86	77CLF-108-86		
T4 Outlet Union Ball Valve with Locking Lever Handle (Option)	81 Mtl	Not Available			77C-306-86	77C-307-86	77C-308-86		
	LF	Not Available			77CLF-306-86	77CLF-307-86	77CLF-308-86		

REPLACEMENT HANDLES FOR BALL VALVE SHUT-OFF VALVES (T2 & T4 OPTIONS)

DESCRIPTION	STD. OR LF	PART NUMBER		
		1/2"	3/4" * 1"	1-1/4" / 1-1/2" / 2"
"T" Handle	All	W-9732-00	W-9864-00	W-9734-00
Lever Handle		Not Available		W-9366-00
Locking "T"		Not Available	W-2394-00	Not Available
Locking Lever		Not Available		W-9686-00

Stainless steel handles are standard on all Apollo® backflow devices.

SHUT-OFF VALVES

INLET AND OUTLET SHUT-OFF VALVES

ITEM #	DESCRIPTION	STD. OR LF	QTY.	PART NUMBER					
				1/2"	3/4"	1"	1-1/4"	1-1/2"	2"
34	A2 Inlet NPT Ball Valve w/ "T" Handle (Standard)	81 Mtl	1	91B-103-85	91B-104-83	91B-105-83	Not Available		
		LF		91BLF-103-85	91BLF-104-83	91BLF-105-83	Not Available		
	A4 Inlet Union Ball Valve w/ "T" Handle (Option)	81 Mtl		91B-303-85	91B-304-83	91B-305-83	Not Available		
		LF		91BLF-303-85	91BLF-304-83	91BLF-305-83	Not Available		
	A2 Inlet NPT Ball Valve w/ Lever Handle (Standard)	81 Mtl		Not Available			91B-106-84	91B-107-84	91B-108-84
		LF		Not Available			91BLF-106-84	91BLF-107-84	91BLF-108-84
	A4 Inlet Union Ball Valve with Lever Handle (Option)	81 Mtl		Not Available			91B-306-84	91B-307-84	91B-308-84
		LF		Not Available			91BLF-306-84	91BLF-307-84	91BLF-308-84
35	A2 Outlet NPT Ball Valve with "T" Handle (Standard)	81 Mtl	1	91C-103-85	91C-104-83	91C-105-83	Not Available		
		LF		91CLF-103-85	91CLF-104-83	91CLF-105-83	Not Available		
	A4 Outlet Union Ball Valve with "T" Handle (Option)	81 Mtl		91C-303-85	91C-304-83	91C-305-83	Not Available		
		LF		91CLF-303-85	91CLF-304-83	91C-305-83	Not Available		
	A2 Outlet NPT Ball Valve with Lever Handle (Standard)	81 Mtl		Not Available			91C-106-84	91C-107-84	91C-108-84
		LF		Not Available			91CLF-106-84	91CLF-107-84	91CLF-108-84
	A4 Outlet Union Ball Valve with Lever Handle (Option)	81 Mtl		Not Available			91C-306-84	91C-307-84	91C-308-84
		LF		Not Available			91CLF-306-84	91CLF-307-84	91CLF-308-84

LOCKING LEVER HANDLES FOR 91 SERIES BALL VALVE SHUT-OFF VALVES (A2 & A4 OPTIONS)

ITEM #	DESCRIPTION	1/2"	3/4"	1"	1-1/4"	1-1/2"	2"
91B	Locking Lever	H397300	H399700	H395200	H399900	H395400	H395600
91BLF	Locking Lever, Lead Free	H397400	H399800	H395300	H400000	H395500	H395700
91C	Locking Lever	H397500	H400100	H395800	H400300	H396000	H396200
91CLF	Locking Lever, Lead Free	H397600	H400200	H395900	H400400	H396100	H396300

Stainless steel handles are standard on all Apollo™ backflow devices.

RP4AN & RPFL4AN ONLY

ITEM #	DESCRIPTION	STD. OR LF	QTY	PART #	
				3/4"	1"
36	Second Check Cap (81 mtl)	Std	1	F-4191-05	F-4193-05
	Second Check Cap (Lead Free)	LF		F-4192-05	F-4194-05
37	RV Sensing Passage O-Ring	ALL	1	D-5025-00	
38	RV Body O-Ring	ALL	1	D-5440-00	
39	Screw, Pan Hd	ALL	2	B-3429-00	
40	Screw, Pan Hd	ALL	2	B-3430-00	
41	Nut, Flg Hd	ALL	4	C-2785-00	
42	Body, Relief Valve	ALL	1	Consult Factory	
43	Cover, Relief Valve	ALL	1	Consult Factory	
44	Bolt, Flg Hd	ALL	4	B-3489-00	

REPAIR KITS RP4A & RPLF4A - 1/2" - 2"

CHECK MODULE RUBBER KIT (ONE KIT REPAIRS ONE CHECK) (UNIVERSAL, FOR STANDARD & LEAD FREE VALVES)			QTY	SIZE				
				1/2"	3/4"	1"	1-1/4" - 1-1/2"	2"
ITEM #	REPAIR KIT MODEL NUMBER	ORDERING NUMBER	RK4A12CMR	RK4A34CMR	RK4A1CMR	RK4A112CMR	RK4A2CMR	
			4A-003-01	4A-004-01	4A-005-01	4A-007-01	4A-008-01	
not shown	O-Ring Lubricant		I-9016-00					
20	Check Module Seat Disc	1	D-4771-00	D-4743-00	D-4770-00	D-4853-00	D-4873-00	
7	Check Module O-Ring	1	D-4880-00	D-4744-00	D-4882-00	D-4884-00	D-4885-00	
6	Cap O-Ring	1	D-4881-00	D-4812-00	D-4884-00	D-4885-00	D-4888-00	

RP FIRST CHECK COMPLETE KIT (ONE KIT REPAIRS ONE CHECK) (UNIVERSAL, FOR STANDARD & LEAD FREE VALVES)			QTY	SIZE				
				1/2"	3/4"	1"	1-1/4" - 1-1/2"	2"
ITEM #	REPAIR KIT MODEL NUMBER	ORDERING NUMBER	RK4A12RPCMC	RK4A34RPCMC	RK4A1RPCMC	RK4A112RPCMC	RK4A2RPCMC	
			4A-003-03	4A-004-03	4A-005-03	4A-007-03	4A-008-03	
not shown	O-Ring Lubricant		I-9016-00					
14	Check Module S-Assy	1	W-9207-05	W-9208-05	W-9209-05	W-9210-05	W-9211-05	
7	Check Module O-Ring	1	D-4880-00	D-4744-00	D-4882-00	D-4884-00	D-4885-00	
6	Cap O-Ring	1	D-4881-00	D-4812-00	D-4884-00	D-4885-00	D-4888-00	

RP SECOND CHECK COMPLETE KIT (ONE KIT REPAIRS ONE CHECK) (UNIVERSAL, FOR STANDARD & LEAD FREE VALVES)			QTY	SIZE				
				1/2"	3/4"	1"	1-1/4" - 1-1/2"	2"
ITEM #	REPAIR KIT MODEL NUMBER	ORDERING NUMBER	RK4A12CMC	RK4A34CMC	RK4A1CMC	RK4A112CMC	RK4A2CMC	
			4A-003-02	4A-004-02	4A-005-02	4A-007-02	4A-008-02	
not shown	O-Ring Lubricant		I-9016-00					
15	Check Module S-Assy	1	W-9075-05	W-9003-05	W-9074-05	W-9159-05	W-9204-05	
7	Check Module O-Ring	1	D-4880-00	D-4744-00	D-4882-00	D-4884-00	D-4885-00	
6	Cap O-Ring (for DC/RP)	1	D-4881-00	D-4812-00	D-4884-00	D-4885-00	D-4888-00	
extra part(s)	Bonnet O-Ring (for PVB)	1	D-4812-00	D-4883-00	D-4887-00	D-4858-00		

RP RELIEF VALVE RUBBER KIT (UNIVERSAL, FOR STANDARD & LEAD FREE VALVES)			QTY	SIZE				
				1/2"	3/4"	1"	1-1/4" - 1-1/2"	2"
ITEM #	REPAIR KIT MODEL NUMBER	ORDERING NUMBER	RK4A1RVR			RK4A112RVR	RK4A2RVR	
			4A-005-04			4A-007-04	4A-008-04	
not shown	O-Ring Lubricant		I-9016-00					
10	RV Diaphragm	1	D-2632-00			D-2505-00	D-4909-00	
13	RV Bushing Face O-Ring	1	D-4893-00			D-4744-00	D-4904-00	
11	RV Seat O-Ring	1	D-4892-00			D-4910-00	D-4903-00	
29	RV Stem O-Ring	1	D-4891-00			D-4927-00	D-4902-00	
31	RV Seat Disc	1	D-4833-00			D-4911-00	D-4912-00	
37	RV Sensing Passage O-Ring		D502500					
38	RV Body O-Ring		D544000					

REPAIR KITS RP4A & RPLF4A - 1/2" - 2" (CONTINUED)

RP RELIEF VALVE COMPLETE KIT (UNIVERSAL, FOR STANDARD & LEAD FREE VALVES)		QTY	SIZE				
ITEM #	REPAIR KIT MODEL NUMBER		1/2"	3/4"	1"	1-1/4" - 1-1/2"	2"
	ORDERING NUMBER		RK4A1RVC		RK4A112RVC	RK4A2RVC	
			4A-005-05		4A-007-05	4A-008-05	
not shown	O-Ring Lubricant		I-9016-00				
10	RV Diaphragm	1	D-2632-00		D-2505-00	D-4909-00	
13	RV Bushing Face O-Ring	1	D-4893-00		D-4744-00	D-4904-00	
11	RV Seat O-Ring	1	D-4892-00		D-4910-00	D-4903-00	
16	RV S-Assy	1	W-9586-05		W-9587-05	W-9588-05	
12	RV Seat	1	L-7894-00		L-8038-00	L-8039-00	
37	RV Sensing Passage O-Ring		D502500				
38	RV Body O-Ring		D544000				

RP TOTAL RUBBER KIT (REPLACE ALL RUBBER PARTS IN ONE RP VALVE) (UNIVERSAL, FOR STANDARD & LEAD FREE VALVES)		QTY	SIZE				
ITEM #	REPAIR KIT MODEL NUMBER		1/2"	3/4"	1"	1-1/4" - 1-1/2"	2"
	ORDERING NUMBER		RK4A12RPR	RK4A34RPR	RK4A1RPR	RK4A112RPR	RK4A2RPR
			4A-003-09	4A-004-09	4A-005-19	4A-007-19	4A-008-19
not shown	O-Ring Lubricant		I-9016-00				
20	Check Module Seat Disc	2	D-4771-00	D-4743-00	D-4770-00	D-4853-00	D-4873-00
7	Check Module O-Ring	2	D-4880-00	D-4744-00	D-4882-00	D-4884-00	D-4885-00
6	Cap O-Ring	2	D-4881-00	D-4812-00	D-4884-00	D-4885-00	D-4888-00
10	RV Diaphragm	1	D-2632-00		D-2505-00	D-4909-00	
13	RV Bushing Face O-Ring	1	D-4893-00		D-4744-00	D-4904-00	
11	RV Seat O-Ring	1	D-4892-00		D-4910-00	D-4903-00	
29	RV Stem O-Ring	1	D-4891-00		D-4927-00	D-4902-00	
31	RV Seat Disc	1	D-4833-00		D-4911-00	D-4912-00	
37	RV Sensing Passage O-Ring		D502500				
38	RV Body O-Ring		D544000				

RP COMPLETE INTERNALS KIT (ONE KIT REPAIRS ONE RP VALVE) (UNIVERSAL, FOR STANDARD & LEAD FREE VALVES)		QTY	SIZE				
ITEM #	REPAIR KIT MODEL NUMBER		1/2"	3/4"	1"	1-1/4" - 1-1/2"	2"
	ORDERING NUMBER		RK4A12TRP	RK4A34TRP	RK4A1TRP	RK4A112TRP	RK4A2TRP
			4A-003-10	4A-004-10	4A-005-10	4A-007-10	4A-008-10
not shown	O-Ring Lubricant		I-9016-00				
14	1st Check Module S-Assembly	1	W-9207-05	W-9208-05	W-9209-05	W-9210-05	W-9211-05
15	2nd Check Module S-Assembly	1	W-9075-05	W-9003-05	W-9074-05	W-9159-05	W-9204-05
7	Check Module O-Ring	2	D-4880-00	D-4744-00	D-4882-00	D-4884-00	D-4885-00
6	Cap O-Ring	2	D-4881-00	D-4812-00	D-4884-00	D-4885-00	D-4888-00
10	RV Diaphragm	1	D-2632-00		D-2505-00	D-4909-00	
13	RV Bushing Face O-Ring	1	D-4893-00		D-4744-00	D-4904-00	
11	RV Seat O-Ring	1	D-4892-00		D-4910-00	D-4903-00	
16	RV S-Assembly	1	W-9586-05		W-9587-05	W-9588-05	
12	RV Seat	1	L-7894-00		L-8038-00	L-8039-00	
37	RV Sensing Passage O-Ring		D502500				
38	RV Body O-Ring		D544000				