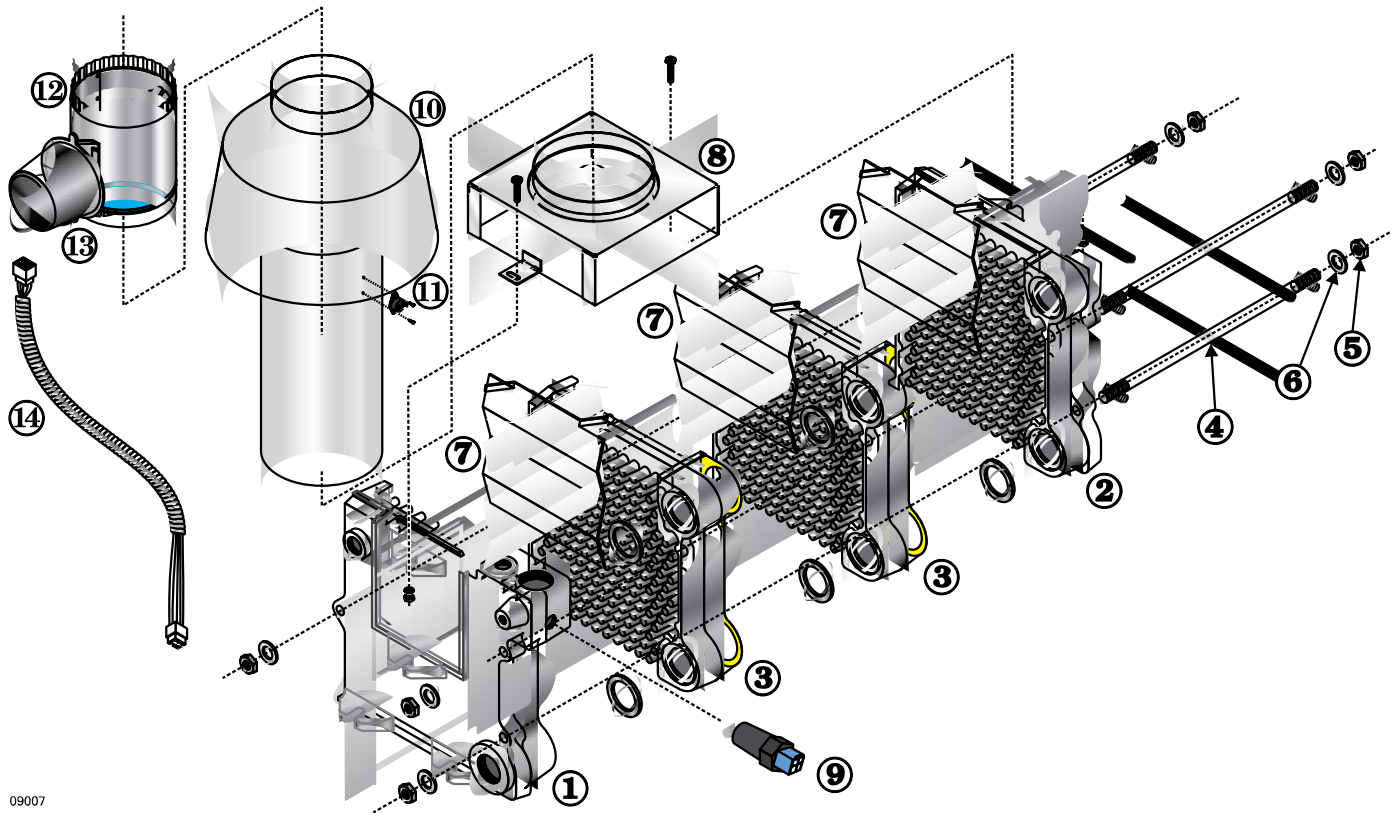




# 12b Replacement parts – section assembly

Figure 31 Section assembly, flue collector, draft hood and vent damper



09007

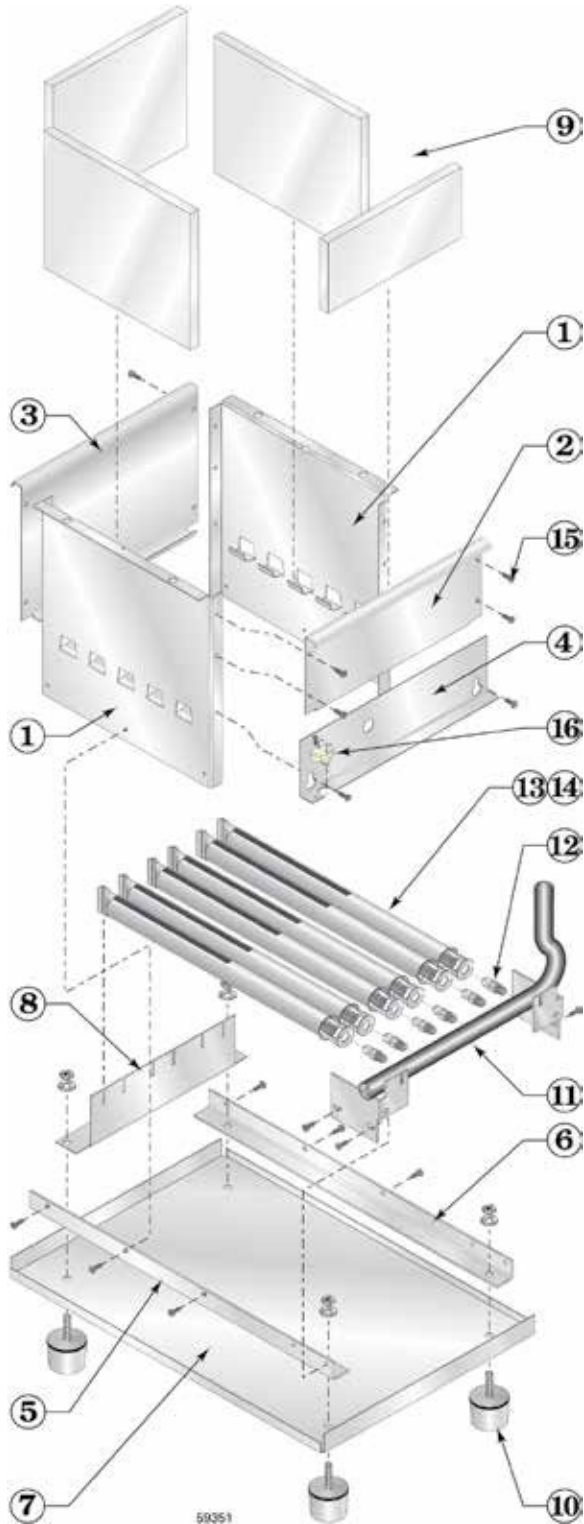
Item number	Description	Part number
1	End section, left hand, 51124	311-103-851
2	End section, right hand 51128	311-103-821
3	Intermediate section, 51127	311-103-845
not shown	Replacement section assembly	CGa-25 and CGa-3 321-114-360 CGa-4 321-114-361 CGa-5 321-114-362 CGa-6 321-114-363 CGa-7 321-114-364 CGa-8 321-114-365
not shown	Section replacement kit, includes seals and sealant for 1 joint	381-354-527
4	Tie rod, 7/16" without nut (3 per boiler):	CGa-25 & CGa-3 560-234-500 CGa-4 560-234-501 CGa-5 560-234-502 CGa-6 560-234-503 CGa-7 560-234-504 CGa-8 560-234-505
5	Nut, 7/16" (2 per tie rod)	561-928-235
6	Washer, 7/16" (1 per tie rod)	562-248-684
7	Radiation plate (1 per joint)	CGa 25 & 3 460-003-018 CGa 4-8 460-003-017
8	Collector hood	CGa-25 381-354-625 CGa-3 381-354-626 CGa-4 381-354-627 CGa-5 381-354-628 CGa-6 381-354-926 CGa-7 381-354-630 CGa-8 381-354-631

Item number	Description	Part number
9	Temperature/LWCO sensor	511-724-305
10	Draft hood	CGa-25 450-021-240 CGa-3 450-021-241 CGa-4 450-021-242 CGa-5 450-021-243 CGa-6 450-021-244 CGa-7 450-021-245 CGa-8 450-021-246
11	Spill switch (210°F)	CGa-25 - 8 510-300-013
12	Vent Damper	CGa-25 & 3 381-800-474 CGa-4 5" 381-800-475 CGa-5 & 6 6" 381-800-476 CGa-7 & 8 7" 381-800-477
13	Vent Damper Actuator	510-512-337
14	Vent Damper Harness	591-391-795



# 12c Replacement parts – base

Figure 32 Base assembly, manifold, orifices and burners

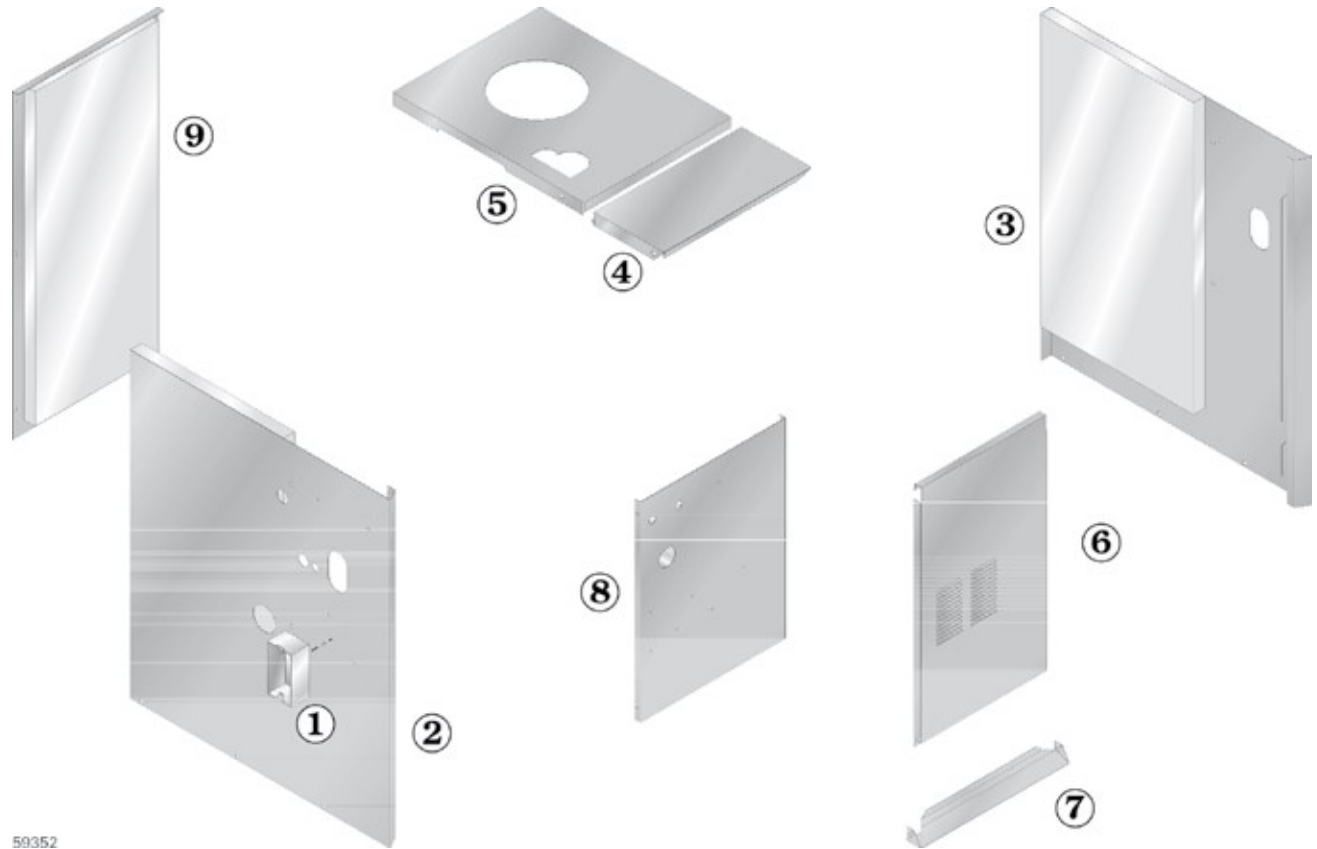


Item number	Description	Part number
	Base assembly kit (includes base panels items 1, 2, 3, 4, 5, 6 and 7, plus insulation, air box gaskets, and hardware))	<b>CGa-25</b> 381-354-362 <b>CGa-3</b> 381-354-356 <b>CGa-4</b> 381-354-357 <b>CGa-5</b> 381-354-358 <b>CGa-6</b> 381-354-359 <b>CGa-7</b> 381-354-360 <b>CGa-8</b> 381-354-361
1	Base side panel (in Base assembly)	
2	Base front cross-tie assembly (in Base assembly)	
3	Base back cross-tie assembly (in Base assembly)	
4	Access panel (in Base assembly)	
5	Base pan angle, left side (in Base assembly)	
6	Base pan angle, right side (in Base assembly)	
7	Base pan (in Base assembly)	
8	Burner rest	<b>CGa-25</b> 450-003-742 <b>CGa-3</b> 450-003-736 <b>CGa-4</b> 450-003-737 <b>CGa-5</b> 450-003-738 <b>CGa-6</b> 450-003-739 <b>CGa-7</b> 450-003-740 <b>CGa-8</b> 450-003-741
9	Base insulation kit (included insulation for all base parts above plus gasket material needed between block assembly and base)	<b>CGa-25</b> 381-354-518 <b>CGa-3</b> 381-354-518 <b>CGa-4</b> 381-354-518 <b>CGa-5</b> 381-354-518 <b>CGa-6</b> 381-354-519 <b>CGa-7</b> 381-354-519 <b>CGa-8</b> 381-354-519
10	Boiler leg kit	590-424-253
11	Manifold	<b>CGa-25</b> 591-126-615 <b>CGa-3</b> 591-126-616 <b>CGa-4</b> 591-126-617 <b>CGa-5</b> 591-126-618 <b>CGa-6</b> 591-126-619 <b>CGa-7</b> 591-126-556 <b>CGa-8</b> 591-126-557
12	Main burner orifice – Natural gas, sea level	560-528-997
	Main burner orifice – Natural gas, sea level	560-528-998
13	Burner, stainless steel	512-200-077
14	Burner with pilot	512-200-078
15	Screw, 10-32 x 0.38 STP type D hex, washer head slot	available at local supply house
16	Rollout thermal fuse element	512-050-230



# 12d Replacement parts — jacket

Figure 33 Jacket assembly



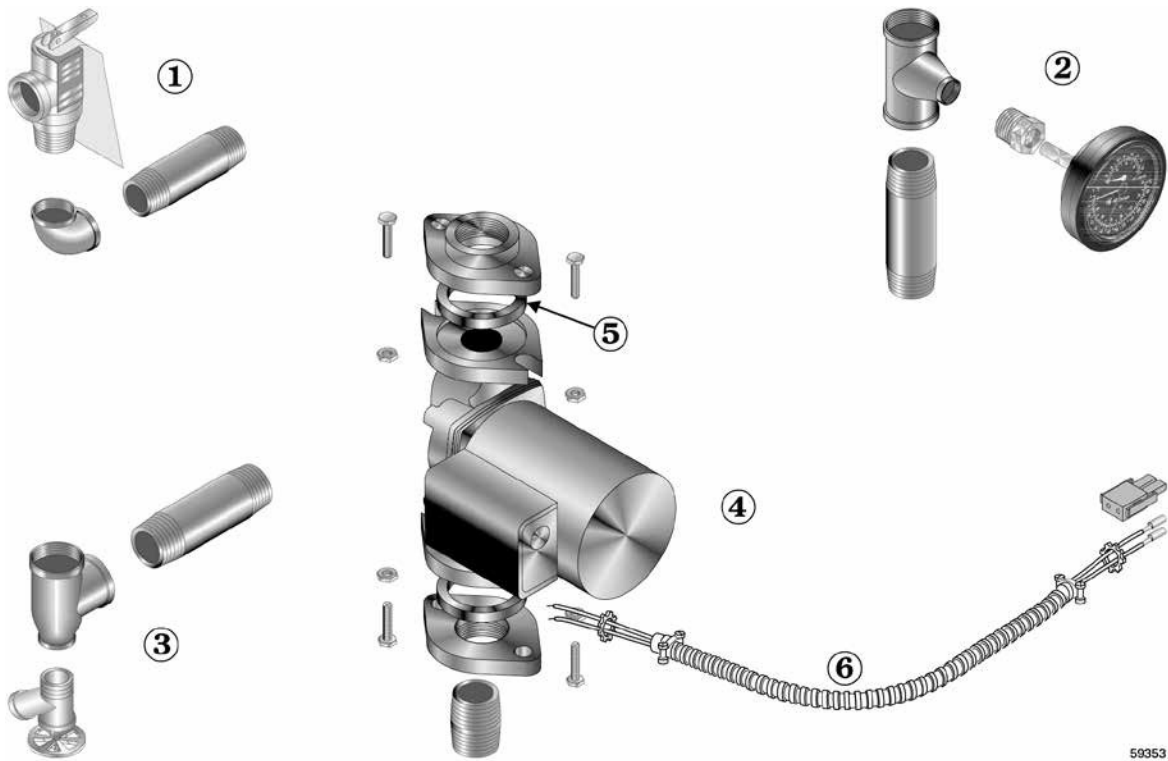
59352

Boiler Model	1	2		3	4	5	Boiler Model
	Junction box, 2 x 4	Jacket panel, <b>left side</b> , with insulation		Jacket panel, <b>right side</b> , with insulation	Jacket panel, <b>top front</b>	Jacket panel, <b>top rear</b>	
		Natural Gas Spark Pilot	Propane Gas Spark Pilot				
	Part numbers						
CGa-25		381-359-201	381-359-208	381-359-229	381-359-230	381-359-236	CGa-25
CGa-3		381-359-202	381-359-209	381-359-229	381-359-230	381-359-236	CGa-3
CGa-4	(Available at local supply house)	381-359-203	381-359-210	381-359-229	381-359-231	381-359-237	CGa-4
CGa-5		381-359-204	381-359-211	381-359-229	381-359-232	381-359-238	CGa-5
CGa-6		381-359-205	381-359-212	381-359-229	381-359-233	381-359-239	CGa-6
CGa-7		381-359-206	381-359-213	381-359-229	381-359-234	381-359-240	CGa-7
CGa-8		381-359-207	381-359-214	381-359-229	381-359-235	381-359-241	CGa-8
Boiler Model	6	7	8	9	10		Boiler Model
	Jacket panel, <b>door</b>	Jacket cross tie, <b>bottom front</b>	Jacket panel, <b>interior</b> , with insulation	Jacket panel, <b>rear</b> , with insulation	Not shown — <b>touch-up paint</b>		
	Part numbers						
CGa-25	381-359-248	381-359-260	381-359-266	381-359-272			CGa-25
CGa-3	381-359-248	381-359-260	381-359-266	381-359-272			CGa-3
CGa-4	381-359-249	381-359-261	381-359-267	381-359-273	381-359-278	Cloud	CGa-4
CGa-5	381-359-250	381-359-262	381-359-268	381-359-274	384-000-141	Slate	CGa-5
CGa-6	381-359-251	381-359-263	381-359-269	381-359-275			CGa-6
CGa-7	381-35-9252	381-359-264	381-359-270	381-359-276			CGa-7
CGa-8	381-359-253	381-359-265	381-359-271	381-359-277			CGa-8



# 12e Replacement parts — trim

Figure 34 Trim assembly



59353

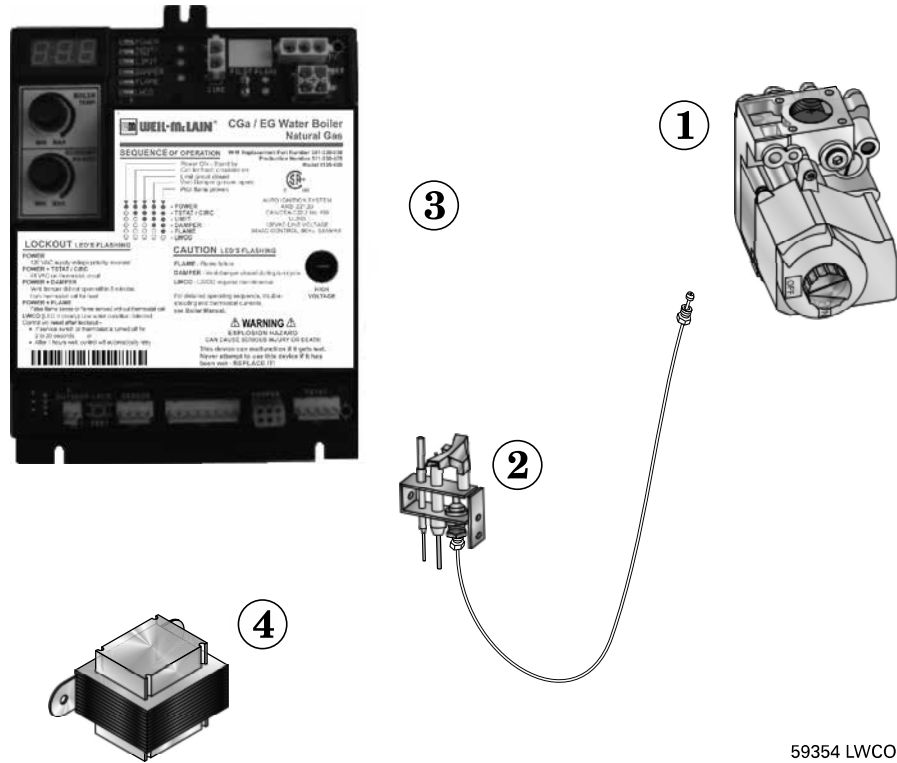
Item number	Description	Part number	
1	Pressure relief valve, ASME, 30 PSIG, 3/4" male inlet	511-546-920	
	Pressure relief valve, ASME, 30 PSIG, 3/4" female inlet (Fittings shown are factory-installed on boiler.)	511-546-924	
2	Combination pressure-temperature gauge, 3 1/8," diameter, short shank (Fittings shown are shipped loose with boiler.)	380-000-000	
3	Drain valve, 3/4" (Fittings shown are included with boiler.)	511-210-423	
4	Circulator (Fittings shown are shipped loose with boiler.)	CGa 25 - 5 CGa 6 - 8	511-405-153 511-405-113
5	Circulator gasket, universal (2 per boiler)		590-317-535
not shown	Circulator hardware kit, includes: 1 flange, 2 nuts, 2 screws, 1 gasket — 3/4" NPT — CGa-25 ----- 1" NPT — CGa-3 through CGa-5 ----- 1 1/4" NPT — CGa-6 and CGa-7 ----- 1 1/2" NPT — CGa-8 -----		381-354-530 381-354-525 381-354-526 381-354-531
6	Circulator wiring harness kit, spark-ignited with Molex (loose)		381-356-528



# 12f Replacement parts – controls

Figure 35 Gas control components

## Spark-ignited pilot controls



59354 LWCO

Item number	Description	Boiler model	Part number
<b>Natural gas components</b>			
1	Gas Valve, 1/2" x 1/2"	CGa-25 through CGa-6	511-044-381
	Gas valve, 3/4" x 3/4"	CGa-7 & CGa-8	511-044-382
2	Pilot kit w/orifice & aluminum pilot gas tubing		511-330-218
<b>Liquefied Petroleum (Propane) gas components</b>			
1	Gas Valve, 3/4" x 3/4"	CGa-25 through CGa-7	511-044-356
	Gas Valve, 3/4" x 3/4"	CGa-8	511-044-366
2	Pilot kit w/orifice & aluminum pilot gas tubing		511-330-273
<b>Natural gas and Liquefied Petroleum (Propane) gas components</b>			
3	Control Module - Natural gas		381-330-039
	- Liquefied Petroleum (Propane) gas		381-330-038
not shown	Wiring Harness, Junction box to Control Module		591-391-975
not shown	Wiring Harness, Controls to Control Module		591-391-977
not shown	Wiring Harness, Thermostat		591-392-006
not shown	Wiring Harness, Water Temperature/LWCO Sensor		591-391-995
4	Control Transformer		381-356-578