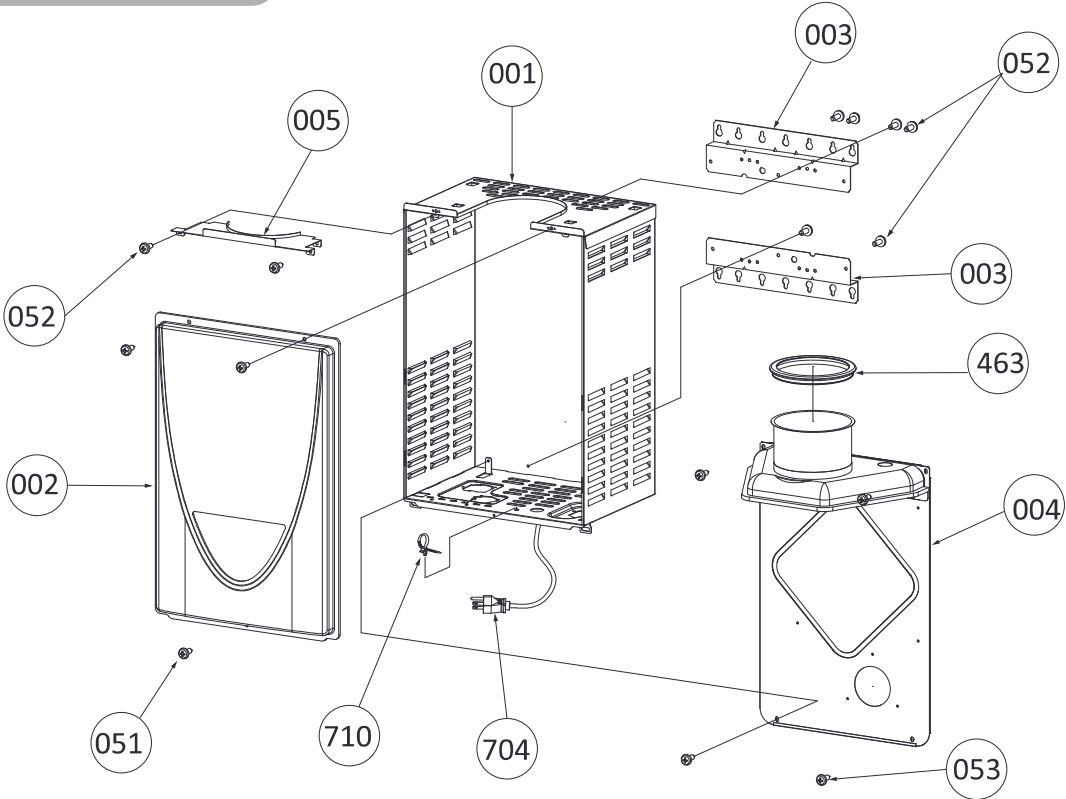
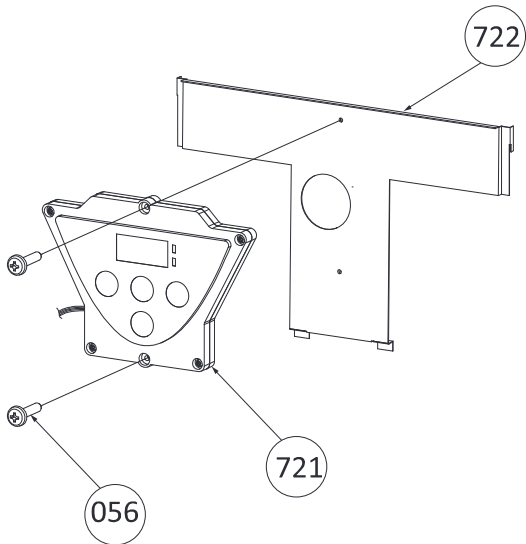


COMPONENTS DIAGRAM

Case assembly

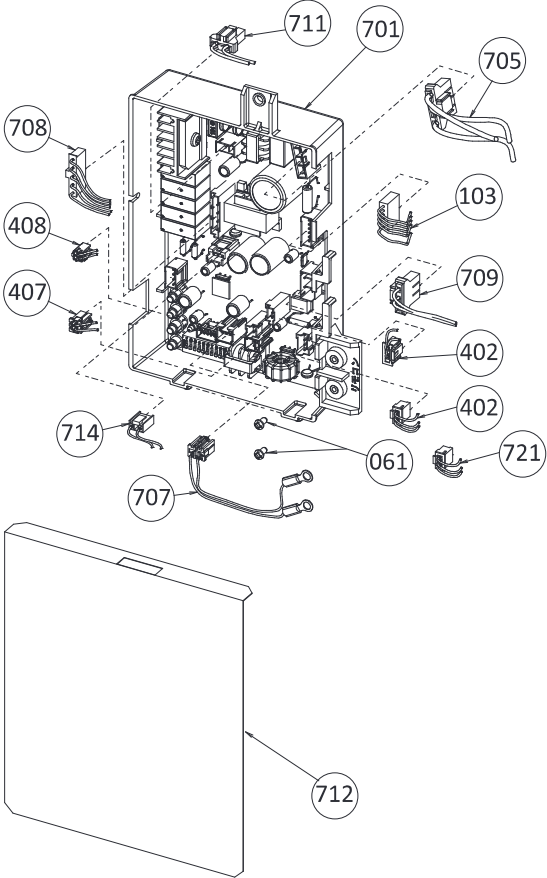


Built-in temperature controller

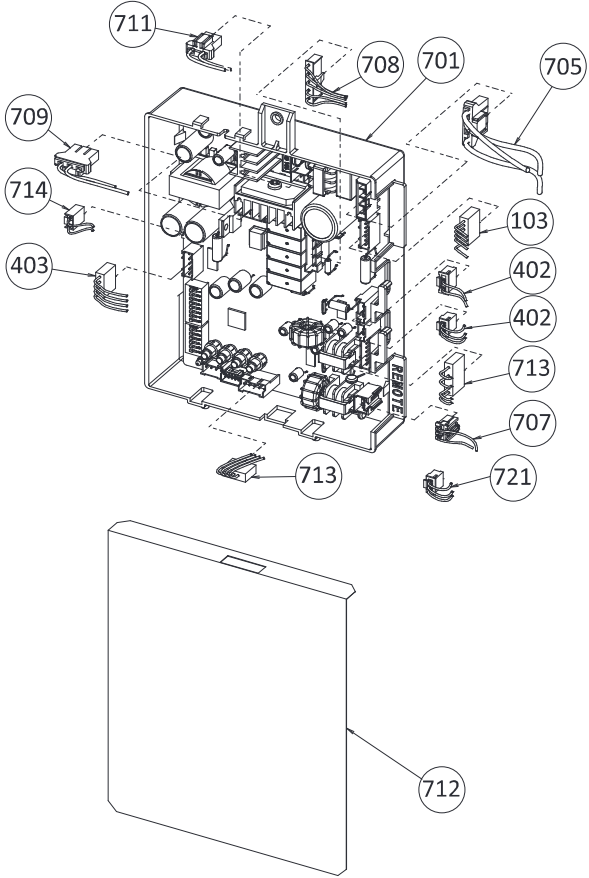


Computer board assembly

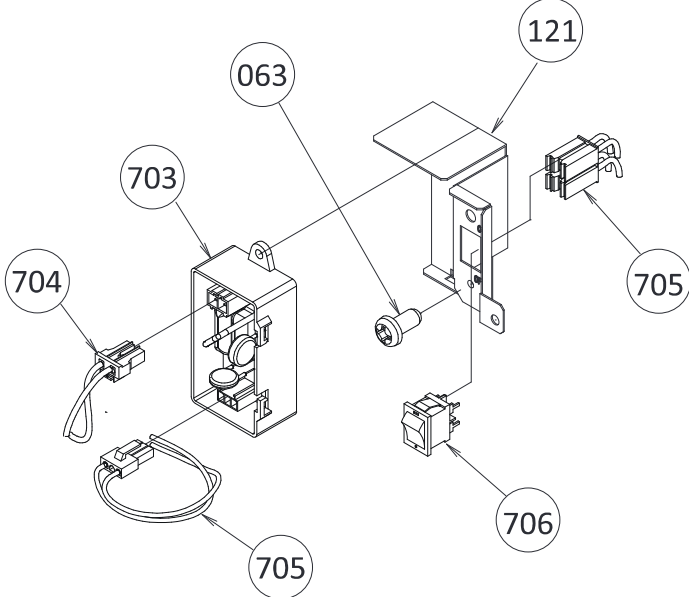
110C and 310C models



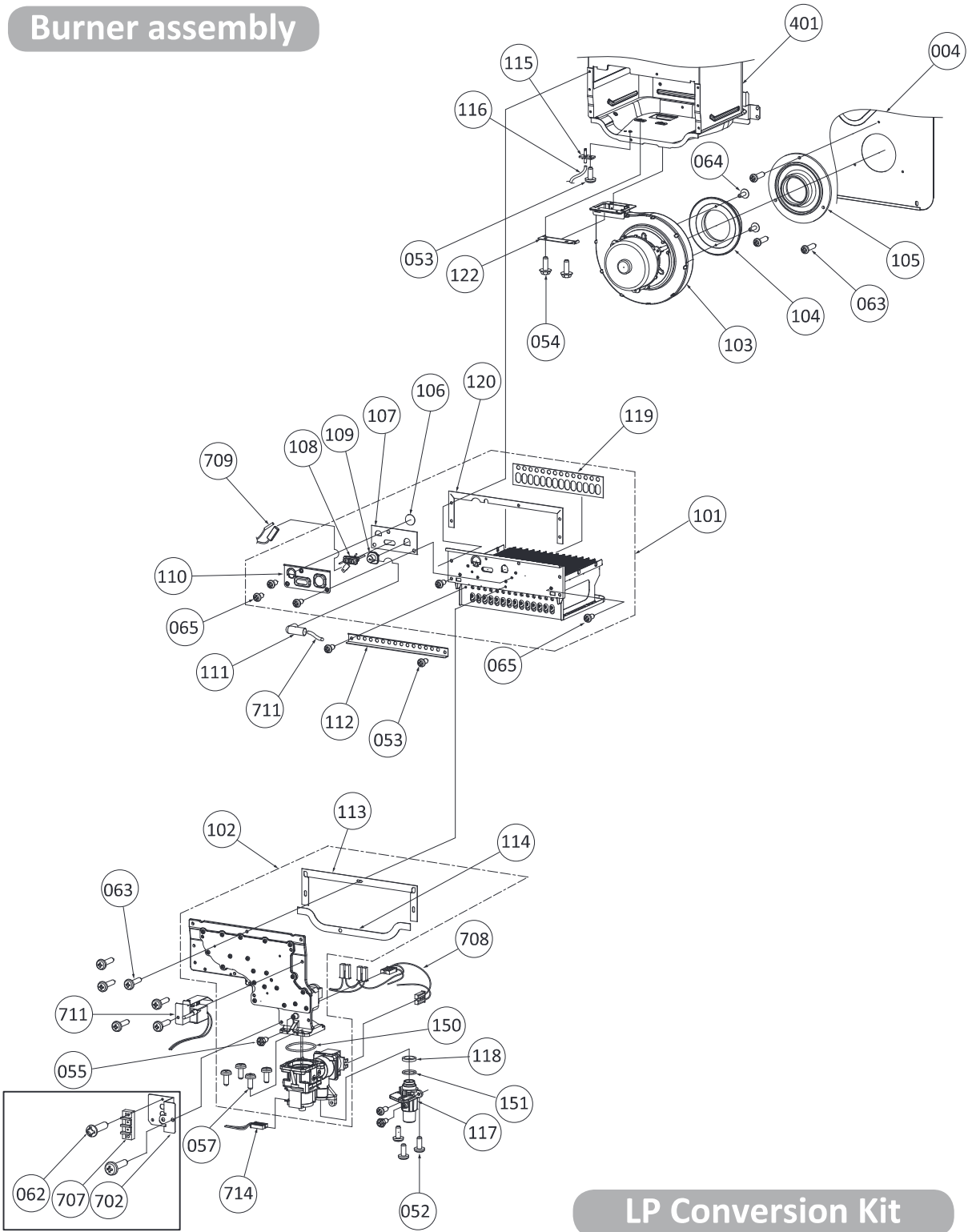
510C model



Surge box assembly

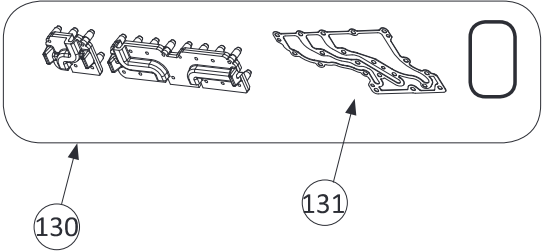


Burner assembly



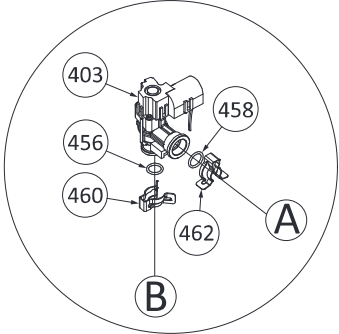
510C model

LP Conversion Kit

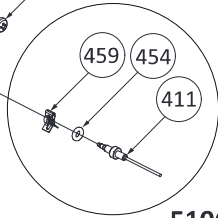
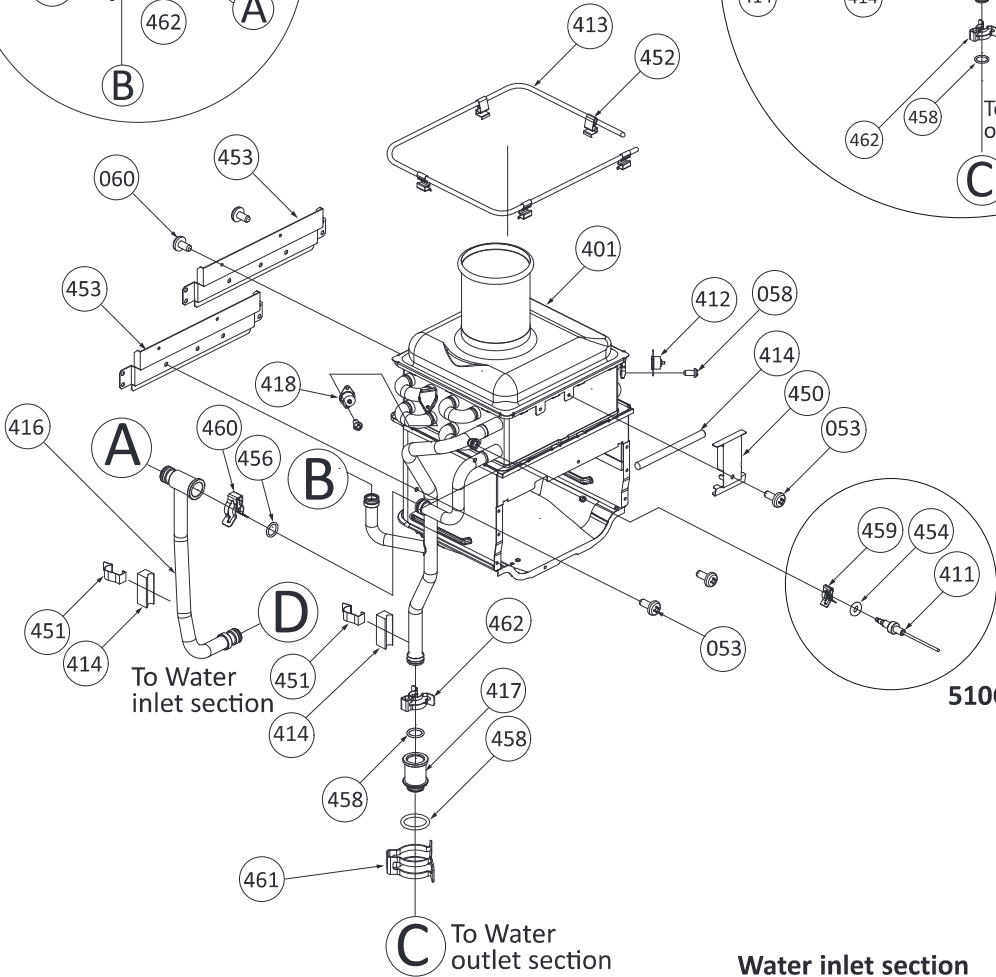
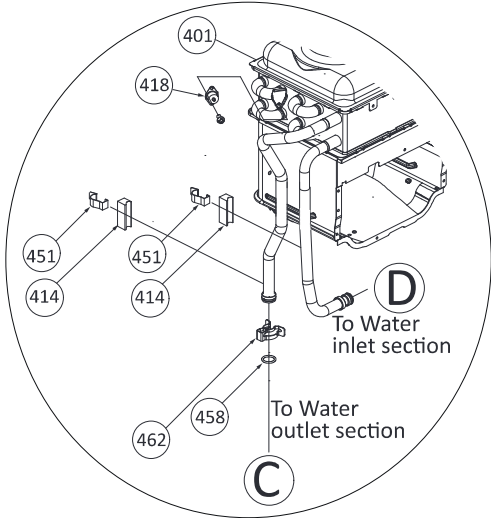


Water Way assembly

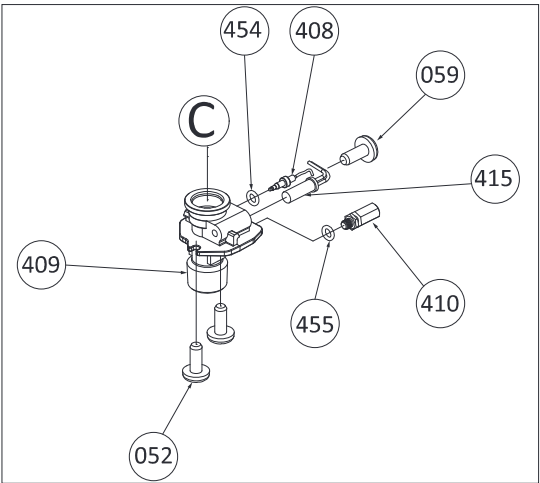
Bypass section (510C model)



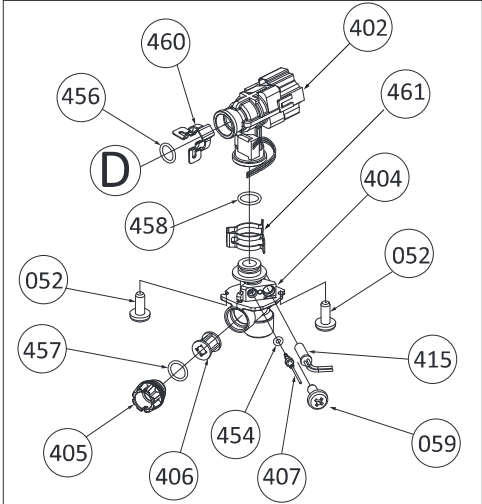
110C & 310C model



Water outlet section



Water inlet section



PARTS LIST

Item #	Description	Part #	
		110C, 310C and 510C models	AT-KJr3U-CV, AT-K5U-CV and AT-D3U-CV models
001	Case assembly	N/A	EK550
002	Front cover	N/A	EK551
003	Bracket	N/A	EK455
004	Duct unit	N/A	EK552
005	Duct unit cover	N/A	EK553
051	Screw M4x12 (W/Washer)	319143-025	EW000
052	Screw M4x10 (Coated)	319143-026	EW002
053	Screw M4x10	319143-060	EW003
054	Hex head screw M4x12 (W/Washer)	319143-326	EW004
055	Hex head screw M4x8	319143-063	EW005
056	Pan Screw M4x20	N/A	EW018
057	Tap tight screw M4x12 FEZN	319143-201	EKK31
058	Screw M3x6	319143-087	EW00A
059	Screw M4x6	319143-328	EW009
060	Screw M4x8 SUS3	N/A	EW02A
061	Screw M3x6	319143-439	EW016
062	Screw M3x12	319143-331	EW00X
063	Screw M4x14	N/A	EW00E
064	Screw M3x10	N/A	EW02C
065	Pan Screw M4x8	319143-059	EW00D
101	Burner and mixing chamber assembly	319143-555	EK554
102	Manifold with gas valve assembly NA	319143-556	EK555
103	Fan motor assembly	319143-557	EK556
104	Fan motor gasket	319143-558	EK557
105	Fan motor plate	319143-559	EK558
106	Burner window	N/A	EKN58
107	Rod holder gasket	319143-560	EK559
108	Flame rod with AFR function	319143-561	EK560
109	Igniter rod	319143-562	EK561
110	Rod holder	319143-563	EK562
111	Rod cap	320273-358	EK462
112	Burner damper	319143-564	EK563
113	Manifold gasket A	319143-565	EK564
114	Manifold gasket B	319143-566	EK565
115	Pressure port	319143-042	EKK2D
116	Combustion chamber tube	319143-344	EX019
117	Gas inlet	319143-567	EK566
118	Gas inlet ring	319143-049	EKK2Z
119	Burner gasket	319143-568	EK567
120	Burner holder gasket	319143-569	EK568
121	Surge box plate	319143-176	EK436
122	Fan motor plate	N/A	EK569
130	LP Conversion Kit	319143-580	EK591
131	Manifold Gasket	319143-581	EK592
150	O-ring (Manifold)	N/A	EK570
151	O-ring P20 NBR (Black)	319143-057	EK042
401	Heat exchanger assembly for 110C, 310C for 510C	319143-570 319143-571	EK571 EK572
402	Flow adjustment valve / Flow sensor	319143-463	EK129
403	Bypass valve for 510C model	319143-464	EKD58
404	Water inlet	319143-193	EKK1U
405	Inlet drain plug	319143-197	EKK2B

Item #	Description	Part #	
		110C, 310C and 510C models	AT-KJr3U-CV, AT-K5U-CV and AT-D3U-CV models
406	Inlet water filter	319143-198	EKK2C
407	Inlet thermistor for 110C and 310C models	319143-214	EKK4J
	Inlet thermistor for 510C model	319143-572	EK573
408	Outlet thermistor for 110C and 310C models	319143-218	EKK55
	Outlet thermistor for 510C model	319143-573	EK574
409	Water outlet	319143-466	EK104
410	Outlet drain plug	319143-079	EK239
411	Heat exchanger thermistor for 510C model	319143-574	EK575
412	Hi-Limit switch for 110C and 310C models	319143-228	EM212
	Hi-Limit switch for 510C model	319143-095	EKN34
413	Overheat-cut-off fuse	319143-067	EX02A
414	Pipe heater	319143-531	EK209
415	Inlet heater	319143-468	EK105
416	Pipe inlet for 510C model	319143-575	EK576
417	Joint outlet for 510C model	319143-576	EK577
418	Thermo switch	N/A	EK589
450	Pipe heater fixing plate	N/A	EK578
451	Heater fixing plate 16	319143-125	EK031
452	Fuse fixing plate 18	N/A	EK476
453	Combustion chamber fixing plate	N/A	EK579
454	O-ring P4 FKM	319143-082	EZF04
455	O-ring P6 FKM	319143-080	EZF06
456	O-ring P14 FKM	319143-100	EZF14
457	O-ring P15 FKM	319143-091	EZF15
458	O-ring P16 FKM	319143-083	EZF16
459	Fastener "4-11" for 510C model	319143-097	EKH30
460	Fastener "14-22"	319143-105	EKK24
461	Fastener "16A"	319143-226	EM192
462	Fastener "16-25A"	319143-205	EKK39
463	Silicon ring	N/A	EK580
701	Computer board for 110C model	319143-577	EK581
	for 310C model	319143-578	EK582
	for 510C model	319143-579	EK583
702	Remote fixing plate for 510C	319143-484	EK152
703	Surge box	320273-128	EK280
704	120 VAC wire	319143-427	EK146
705	Switch wire	N/A	EK584
706	120 VAC Power ON-OFF switch	N/A	EK590
707	Remote controller wire for 110C and 310C models	319143-490	EK189
	for 510C model	319143-491	EK165
708	Gas valve wire	N/A	EK585
709	Flame rod wire	N/A	EK586
710	Cable strap	319143-425	EW022
711	Igniter assembly	319143-479	EK153
712	Computer board cover	319143-274	EM329
713	24V cables for 510C model	N/A	EK587
714	Proportional gas valve wire	319143-481	EK112
721	Temperature controller	319143-502	EK173
722	Controller fixing plate	N/A	EK588
N/A *	Communication cable	320273-585	EKK0J

*Refer to p. 9.