

Features

- Metal construction.
- One-piece, self-contained ceramic disc valve allows both volume and temperature control.
- Temperature memory allows faucet to be turned on and off at any temperature setting.
- High-temperature limit setting for added safety.
- 9-1/16" (230 mm) swing spout reach.
- Flexible supplies.
- Lower flow aerator options are available (refer to the Kohler Price Book).
- 2.2 gal/min (8.3 l/min) maximum flow rate [max at 60 psi (4.14 bar)].



For complete listing of available colors, go to kohler.com.

ADA

Codes/Standards

ASME A112.18.1/CSA B125.1

NSF 61

NSF 372

ADA

ICC/ANSI A117.1

DOE - Energy Policy Act 1992

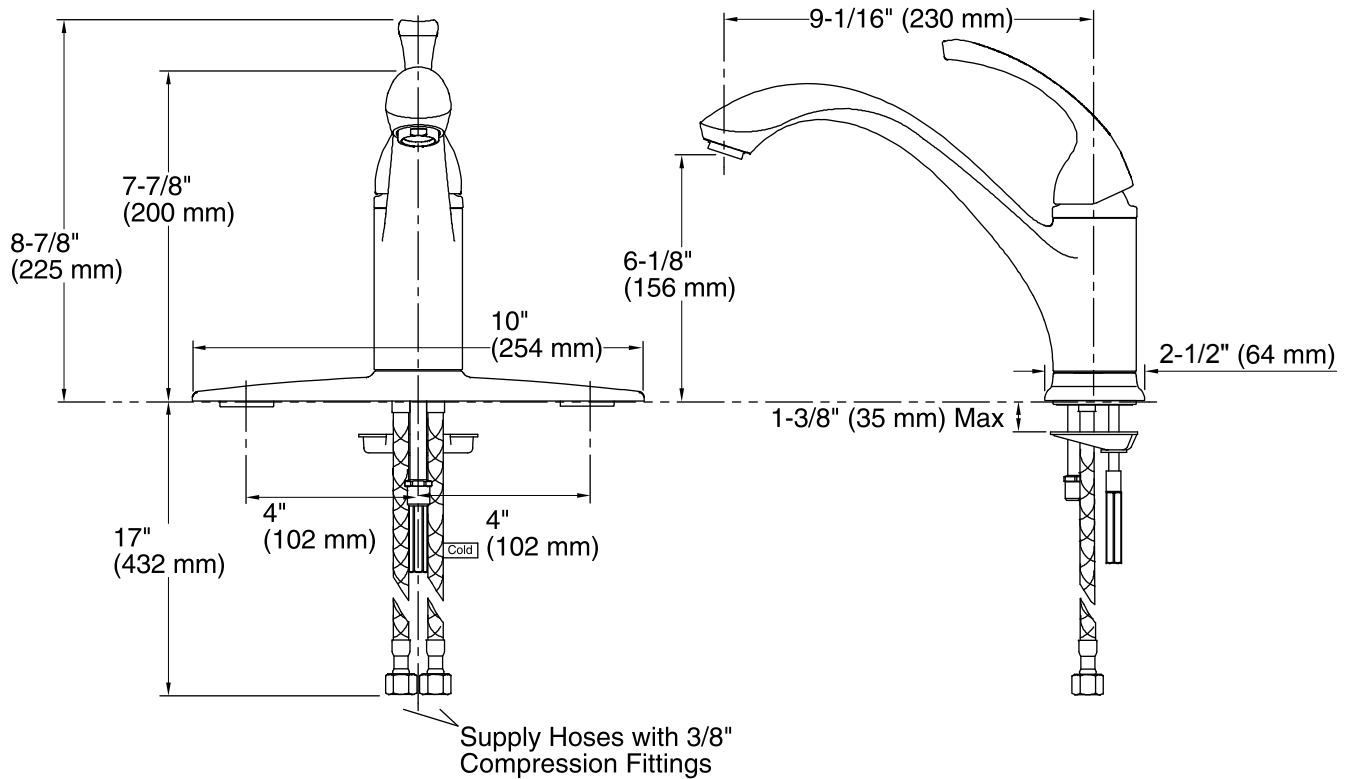
All applicable US Federal and State material regulations

KOHLER® Faucet Lifetime Limited Warranty

See website for detailed warranty information.

Product Specification

Kitchen sink faucet shall be 9-1/16" (230 mm) swing spout reach and 6-1/8" (156 mm) spout outlet height. Kitchen sink faucet shall be metal construction. Kitchen sink faucet shall be lever handle. Kitchen sink faucet shall be KOHLER Model K-10411.



Technical Information

All measurements are nominal.

Spout reach: 9-1/16" (230 mm)

Faucet:
Flow rate: 2.2 gal/min (8.3 l/min)
Pressure: 60 psi (4.1 bar)

Installation Notes

Install this product according to the installation guide.

ADA compliant when installed to the specific requirements of these regulations.